

Airwell

Service Manual

HMF R22 Hi wall Series

Indoor Units	Outdoor Units
AWSI-HMF009-N61	AWAU-YMF009-H61
AWSI-HMF012-N61	AWAU-YMF012-H61
AWSI-HMF018-N61	AWAU-YMF018-H61
AWSI-HMF024-N61	AWAU-YMF024-H61



REFRIGERANT

R22

SM HMF R22 1-A.1 GB

HEATPUMP

JULY. 2014

CONTENTS

1. Precaution	3
1.1 Safety Precaution	3
1.2 Warning	3
2. Function	7
3. Dimension	8
3.1 Indoor Unit.....	8
3.2 Outdoor Unit.....	9
4. Refrigerant Cycle Diagram	10
5. Wiring Diagram	11
5.1 Indoor Unit.....	11
5.2 Outdoor Unit.....	12
6 Installation Details	14
6.1 Wrench torque sheet for installation	14
6.2 Connecting the cables.....	14
6.3 Pipe length and the elevation	15
6.4 Installation for the first time.....	16
6.5 Adding the refrigerant after running the system for many years	19
6.6 Re-installation while the indoor unit need to be repaired.....	20
6.7 Re-installation while the outdoor unit need to be repaired.....	22
7. Operation Characteristics	26
8. Electronic function	27
8.1 Abbreviation	27
8.2 Display function	27
8.3 Main Protection	28
8.4 Operation Modes and Functions	29
9. Troubleshooting	41
9.1 Indoor Unit Error Display	41
9.2 Diagnosis and Solution.....	42

1. Precaution

1.1 Safety Precaution

- To prevent injury to the user or other people and property damage, the following instructions must be followed.
- Incorrect operation due to ignoring instruction will cause harm or damage.
- Before service the unit, be sure to read this service manual at first.

1.2 Warning

➤ Installation

- Do not use a defective or underrated circuit breaker. Use this appliance on a dedicated circuit.

There is risk of fire or electric shock.

- For electrical work, contact the dealer, seller, a qualified electrician, or an authorized service center.

Do not disassemble or repair the product, there is risk of fire or electric shock.

- Always ground the product.

There is risk of fire or electric shock.

- Install the panel and the cover of control box securely.

There is risk of fire or electric shock.

- Always install a dedicated circuit and breaker.

Improper wiring or installation may cause fire or electric shock.

- Use the correctly rated breaker or fuse.

There is risk of fire or electric shock.

- Do not modify or extend the power cable.

There is risk of fire or electric shock.

- Do not install, remove, or reinstall the unit by yourself (customer).

There is risk of fire, electric shock, explosion, or injury.

- Be caution when unpacking and installing the product.

Sharp edges could cause injury, be especially careful of the case edges and the fins on the

condenser and evaporator.

- **For installation, always contact the dealer or an authorized service center.**
- **Do not install the product on a defective installation stand.**
- **Be sure the installation area does not deteriorate with age.**

If the base collapses, the air conditioner could fall with it, causing property damage, product failure, and personal injury.

- **Do not let the air conditioner run for a long time when the humidity is very high and a door or a window is left open.**

- **Take care to ensure that power cable could not be pulled out or damaged during operation.**

There is risk of fire or electric shock.

- **Do not place anything on the power cable.**

There is risk of fire or electric shock.

- **Do not plug or unplug the power supply plug during operation.**

There is risk of fire or electric shock.

- **Do not touch (operation) the product with wet hands.**

- **Do not place a heater or other appliance near the power cable.**

There is risk of fire and electric shock.

- **Do not allow water to run into electrical parts.**

It may cause fire, failure of the product, or electric shock.

- **Do not store or use flammable gas or combustible near the product.**

There is risk of fire or failure of product.

- **Do not use the product in a tightly closed space for a long time.**

Oxygen deficiency could occur.

- **When flammable gas leaks, turn off the gas and open a window for ventilation before turn the product on.**

- **If strange sounds or smoke comes from product, turn the breaker off or disconnect the power supply cable.**

There is risk of electric shock or fire.

- **Stop operation and close the window in storm or hurricane. If possible, remove the**

product from the window before the hurricane arrives.

There is risk of property damage, failure of product, or electric shock.

- **Do not open the inlet grill of the product during operation. (Do not touch the electrostatic**

filter, if the unit is so equipped.)

There is risk of physical injury, electric shock, or product failure.

- **When the product is soaked, contact an authorized service center.**

There is risk of fire or electric shock.

- **Be caution that water could not enter the product.**

There is risk of fire, electric shock, or product damage.

- **Ventilate the product from time to time when operating it together with a stove etc.**

There is risk of fire or electric shock.

- **Turn the main power off when cleaning or maintaining the product.**

There is risk of electric shock.

■ **When the product is not be used for a long time, disconnect the power supply plug or turn off the breaker.**

There is risk of product damage or failure, or unintended operation.

- **Take care to ensure that nobody could step on or fall onto the outdoor unit.**

This could result in personal injury and product damage.

➤ CAUTION

- **Always check for gas (refrigerant) leakage after installation or repair of product.**

Low refrigerant levels may cause failure of product.

- **Install the drain hose to ensure that water is drained away properly.**

A bad connection may cause water leakage.

- **Keep level even when installing the product.**

It can avoid vibration of water leakage.

■ **Do not install the product where the noise or hot air from the outdoor unit could damage the neighborhoods.**

It may cause a problem for your neighbors.

- **Use two or more people to lift and transport the product.**

- **Do not install the product where it will be exposed to sea wind (salt spray) directly.**

It may cause corrosion on the product. Corrosion, particularly on the condenser and evaporator fins, could cause product malfunction or inefficient operation.

➤ Operational

- **Do not expose the skin directly to cool air for long time. (Do not sit in the draft).**
- **Do not use the product for special purposes, such as preserving foods, works of art etc.**

It is a consumer air conditioner, not a precision refrigerant system.

There is risk of damage or loss of property.

- **Do not block the inlet or outlet of air flow.**
- **Use a soft cloth to clean. Do not use harsh detergents, solvents, etc.**

There is risk of fire, electric shock, or damage to the plastic parts of the product.

■ **Do not touch the metal parts of the product when removing the air filter. They are very sharp.**

- **Do not step on or put anything on the product. (outdoor units)**
- **Always insert the filter securely. Clean the filter every two weeks or more often if**

necessary.

A dirty filter reduces the efficiency of the air conditioner and could cause product malfunction or damage.

■ **Do not insert hands or other objects through air inlet or outlet while the product is operated.**

- **Do not drink the water drained from the product.**
- **Use a firm stool or ladder when cleaning or maintaining the product.**

Be careful and avoid personal injury.

■ **Replace the all batteries in the remote control with new ones of the same type. Do not mix old and new batteries or different types of batteries.**

There is risk of fire or explosion.

- **Do not recharge or disassemble the batteries. Do not dispose of batteries in a fire.**

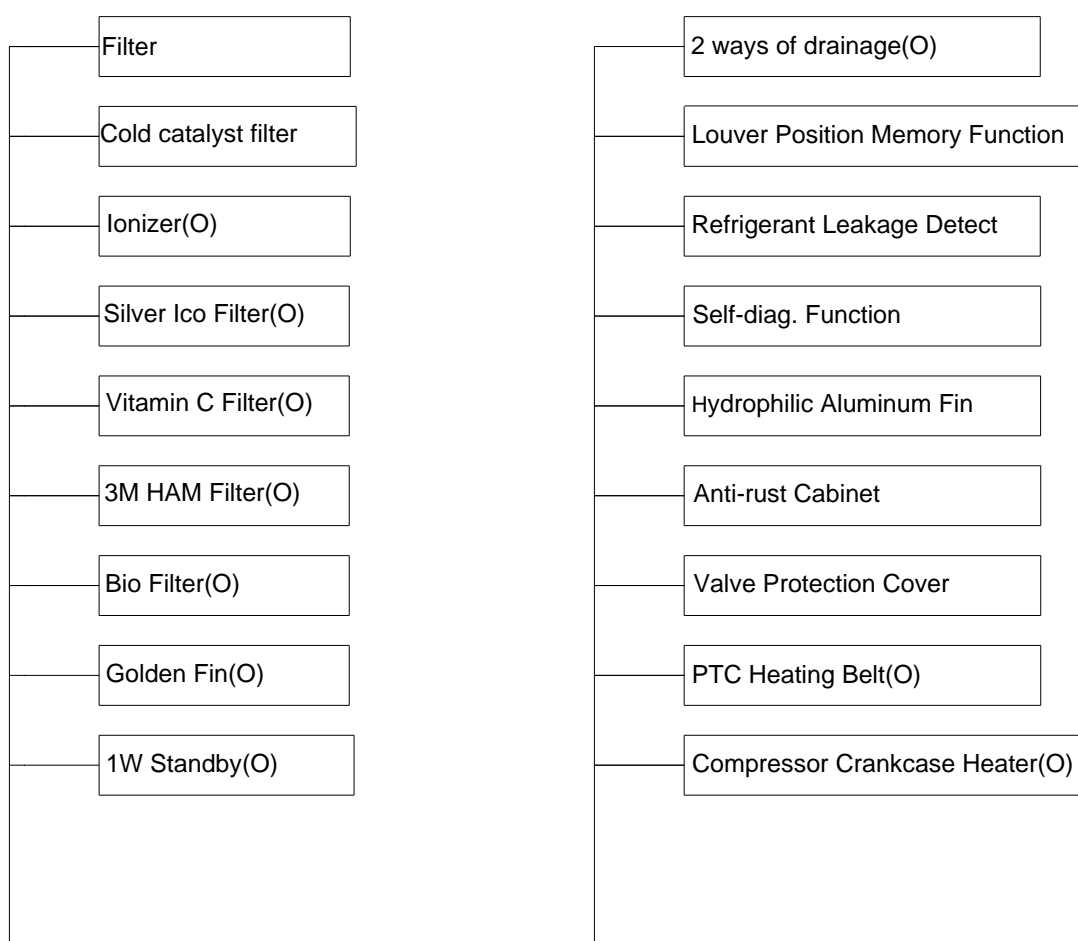
They may burn or explode.

■ **If the liquid from the batteries gets onto your skin or clothes, wash it well with clean water. Do not use the remote of the batteries have leaked.**

2. Function

Model Names of Indoor/Outdoor Units

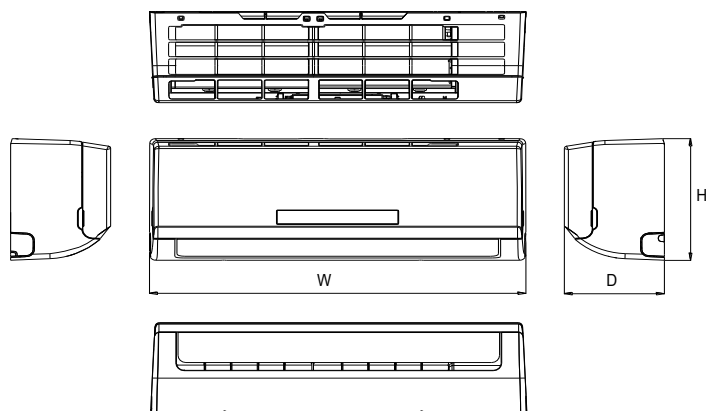
On-Off	Capacity	Indoor units	Outdoor units
	9k	AWSI-HMF009-N61	AWAU-YMF009-H61
	12k	AWSI-HMF012-N61	AWAU-YMF012-H61
	18k	AWSI-HMF018-N61	AWAU-YMF018-H61
	21k	AWSI-HMF024-N61	AWAU-YMF024-H61



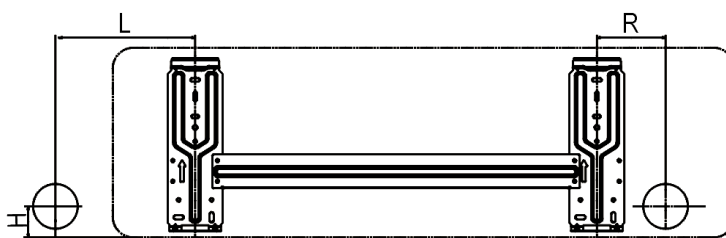
O:optional

3. Dimension

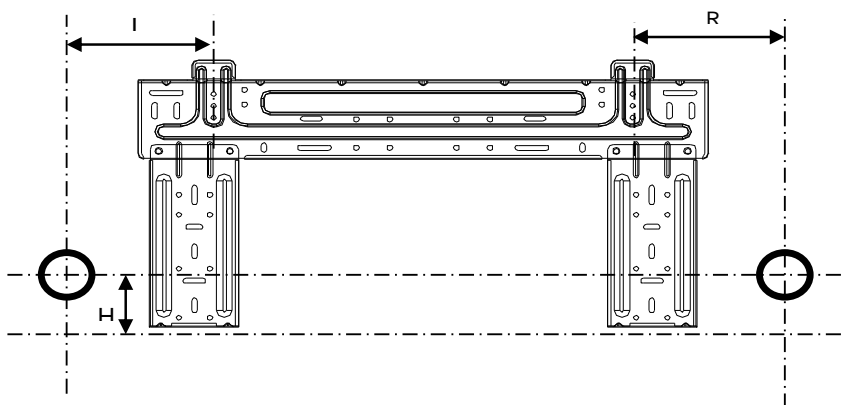
3.1 Indoor Unit



Model	W	D	H
AWSI-HMF009-H61	800	188	275
AWSI-HMF012-H61			
AWSI-HMF018-H61	940	205	275
AWSI-HMF024-H61	1045	235	315

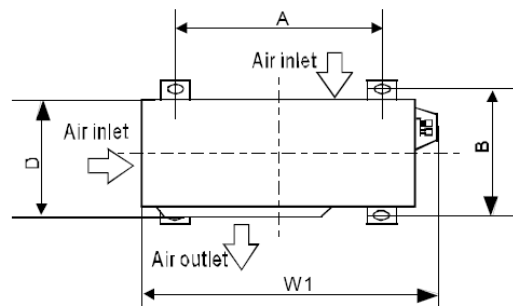
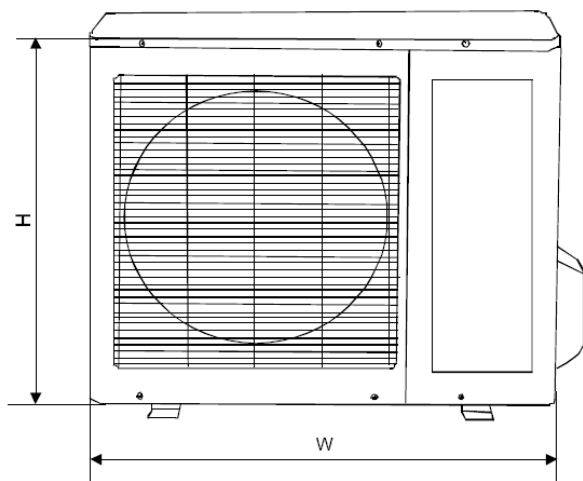
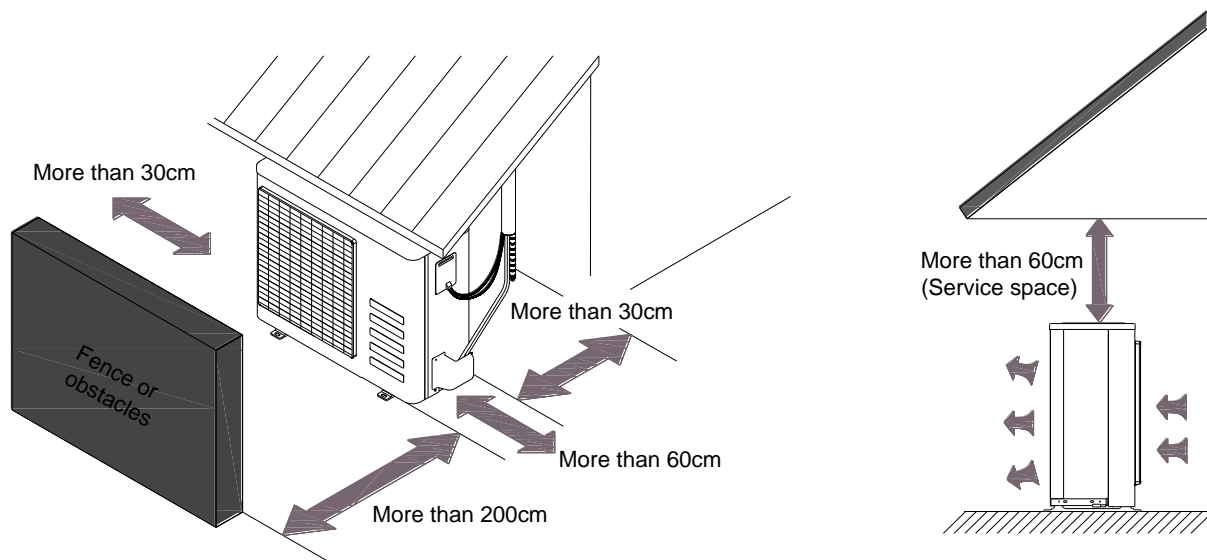


Model	L(mm)	R(mm)	H(mm)	Dimension of installation hole(mm)
AWSI-HMF009-H61	100	95	45	∅ 65
AWSI-HMF012-H61				
AWSI-HMF018-H61	110	100	45	



Model	L(mm)	R(mm)	H(mm)	Dimension of installation hole(mm)
AWSI-HMF024-H61	293	163	45	∅ 65

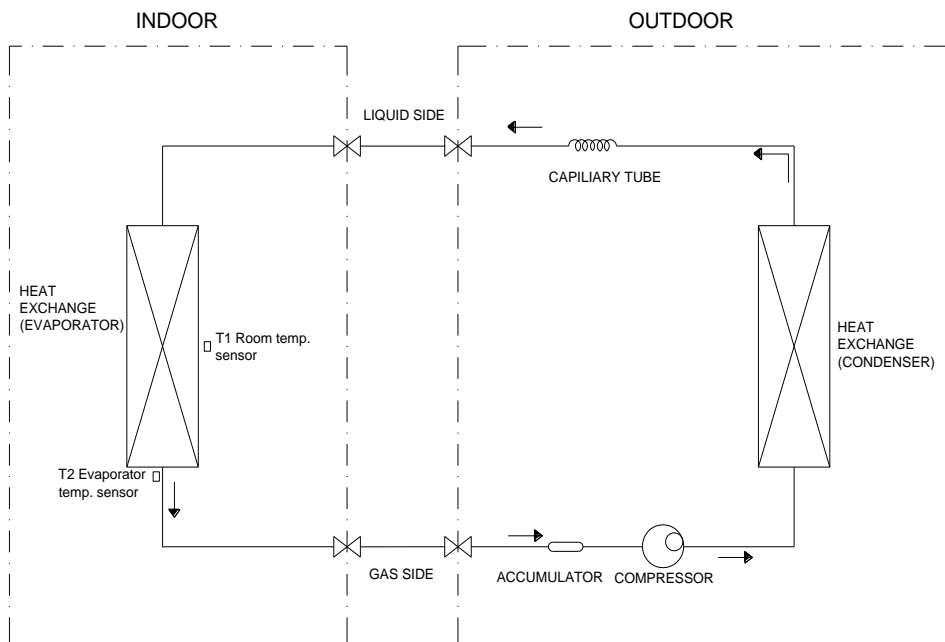
3.2 Outdoor Unit



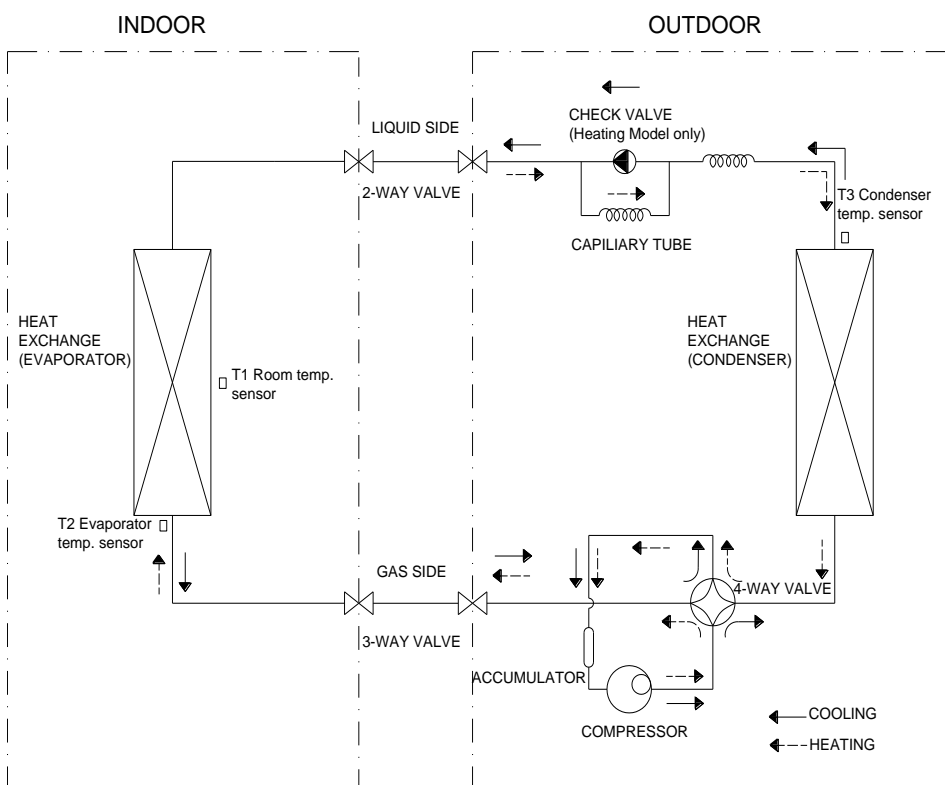
Model	W	D	H	W1	A	B
AWAU-YMF009-H61	685	260	430	742	460	276
AWAU-YMF012-H61	780	250	540	843	549	276
AWAU-YMF018-H61	780	250	540	843	549	276
AWAU-YMF024-H61	845	320	700	908	560	335

4. Refrigerant Cycle Diagram

For cooling only models:



For heat pump models:

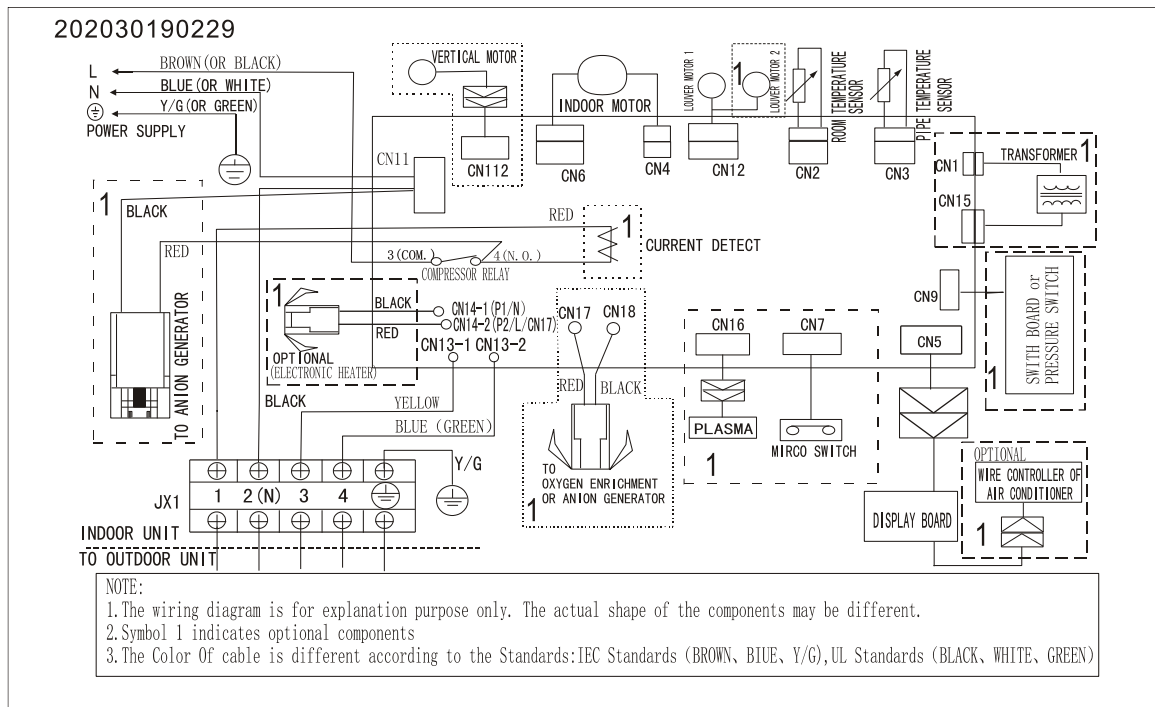


T3 temp. sensor is only for AWSI-HMF024-H61

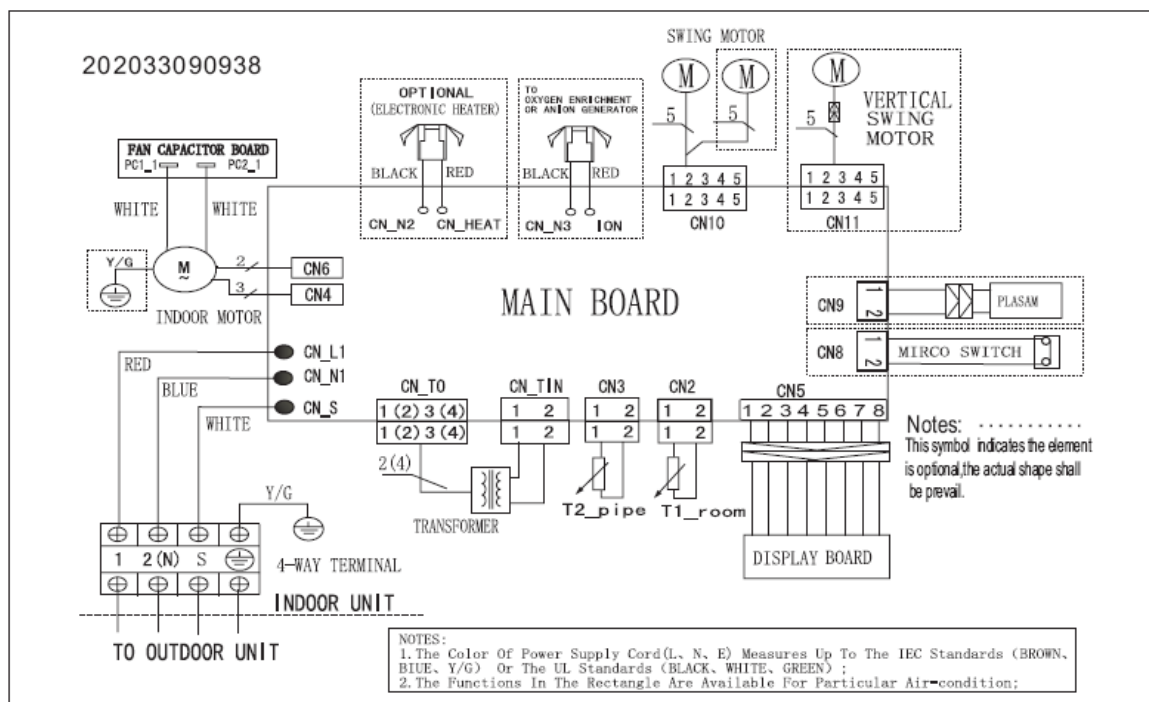
5. Wiring Diagram

5.1 Indoor Unit

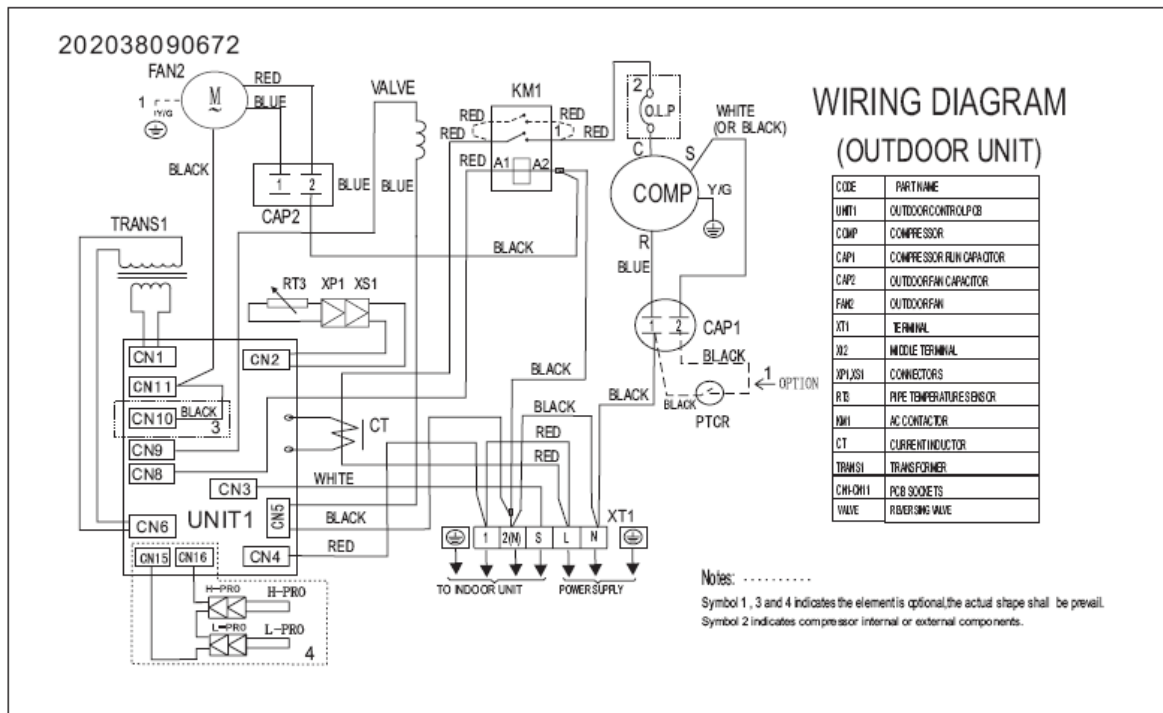
AWSI-HMF009-H61, AWSI-HMF012-H61, AWSI-HMF018-H61



AWSI-HMF024-H61



AWAU-YMF024-H61



6 Installation Details

6.1 Wrench torque sheet for installation

Outside diameter		Torque	Additional tightening torque
mm	inch	N.cm	N.cm
Φ6.35	1/4	1500(153kgf.cm)	1600(163kgf.cm)
Φ9.52	3/8	2500(255kgf.cm)	2600(265kgf.cm)
Φ12.7	1/2	3500(357kgf.cm)	3600(367kgf.cm)
Φ15.9	5/8	4500(459kgf.cm)	4700(479kgf.cm)
Φ19	3/4	6500(663kgf.cm)	6700(683kgf.cm)

6.2 Connecting the cables

The power cord of connect should be selected according to the following specifications sheet.

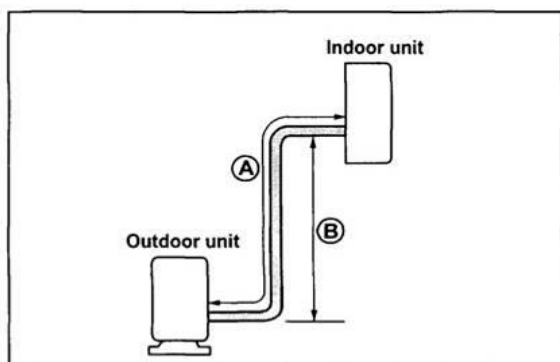
Rated current of appliance	Nominal cross-sectional area (mm ²)
>3 and ≤6	0.75
>6 and ≤10	1
>10 and ≤16	1.5
>16 and ≤25	2.5

The cable size and the current of the fuse or switch are determined by the maximum current indicated on the nameplate which located on the side panel of the unit. Please refer to the nameplate before selecting the cable, fuse and switch.

6.3 Pipe length and the elevation

The pipe length and refrigerant amount:

Model	Pipe size		Standard length (m)	Max. Elevation B (m)	Max. Length A (m)	Additional refrigerant (g/m)
	Gas	Liquid				
AWSI-HMF009-H61+AWAU-YMF009-H61	3/8" (Φ9.52)	1/4" (Φ6.35)	5	5	10	30
AWSI-HMF012-H61+AWAU-YMF012-H61	1/2" (Φ12.7)	1/4" (Φ6.35)	5	5	10	30
AWSI-HMF018-H61+AWAU-YMF018-H61	1/2" (Φ12.7)	1/4" (Φ6.35)	5	8	15	30
AWSI-HMF024-H61+AWAU-YMF024-H61	5/8" (Φ15.9)	3/8" (Φ9.52)	5	10	20	60

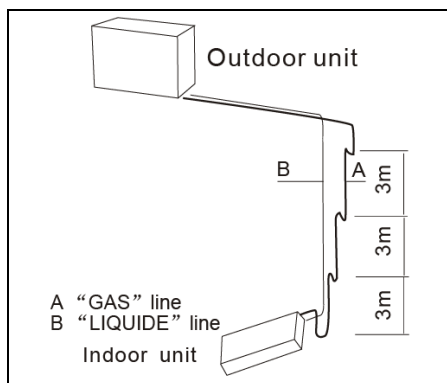


Caution:

The capacity test is based on the standard length and the maximum permissible length is based on the system reliability.

Oil trap:

When the outdoor unit is installed above the indoor unit an oil trap is required every 3m along the suction line at the lowest point. In case the indoor unit is installed above the outdoor, no trap is required.



6.4 Installation for the first time

Air and moisture in the refrigerant system have undesirable effects as below:

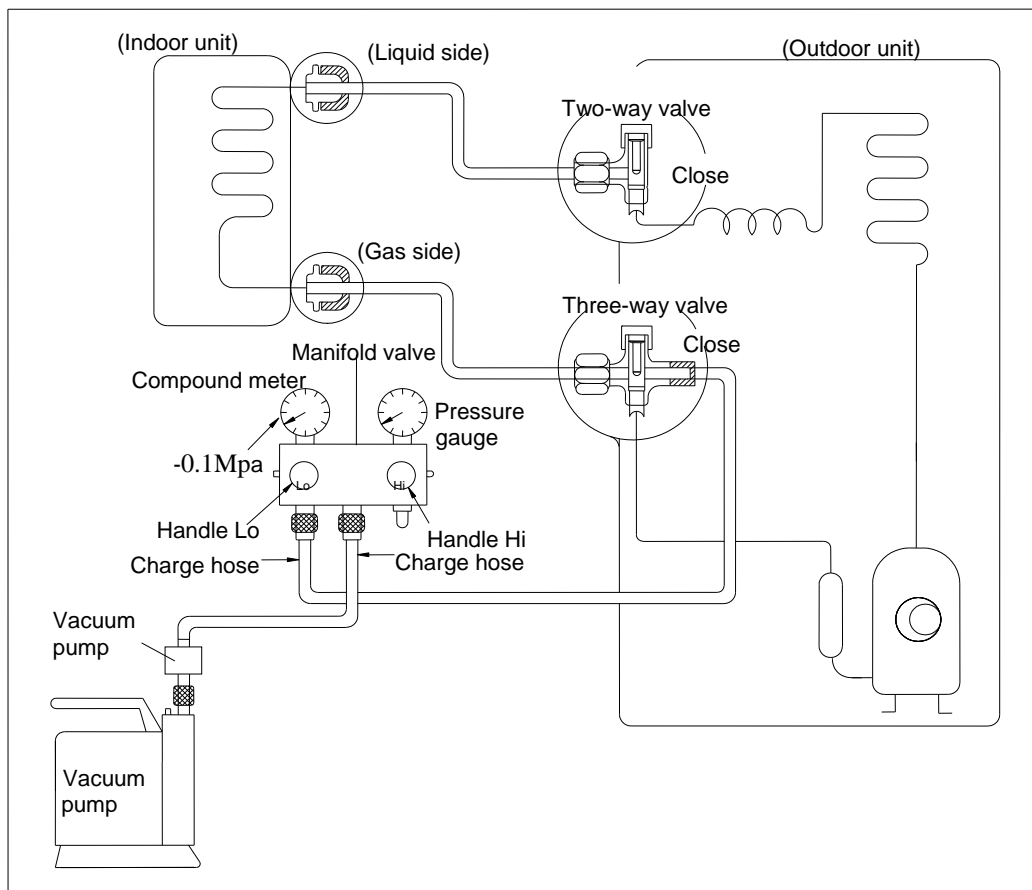
- Pressure in the system rises.
- Operating current rises.
- Cooling or heating efficiency drops.
- Moisture in the refrigerant circuit may freeze and block capillary tubing.
- Water may lead to corrosion of parts in the refrigerant system.

Therefore, the indoor units and the pipes between indoor and outdoor units must be leak tested and evacuated to remove gas and moisture from the system.

Gas leak check (Soap water method):

Apply soap water or a liquid neutral detergent on the indoor unit connections or outdoor unit connections by a soft brush to check for leakage of the connecting points of the piping. If bubbles come out, the pipes have leakage.

1. Air purging with vacuum pump



- 1) Completely tighten the flare nuts of the indoor and outdoor units, confirm that both the 2-way and 3-way valves are set to the closed position.
- 2) Connect the charge hose with the push pin of handle lo to the 3-way valves gas service port..
- 3) Connect the charge hose of handle hi connection to the vacuum pump.
- 4) Fully open the handle Lo of the manifold valve.
- 5) Operate the vacuum pump to evacuate.

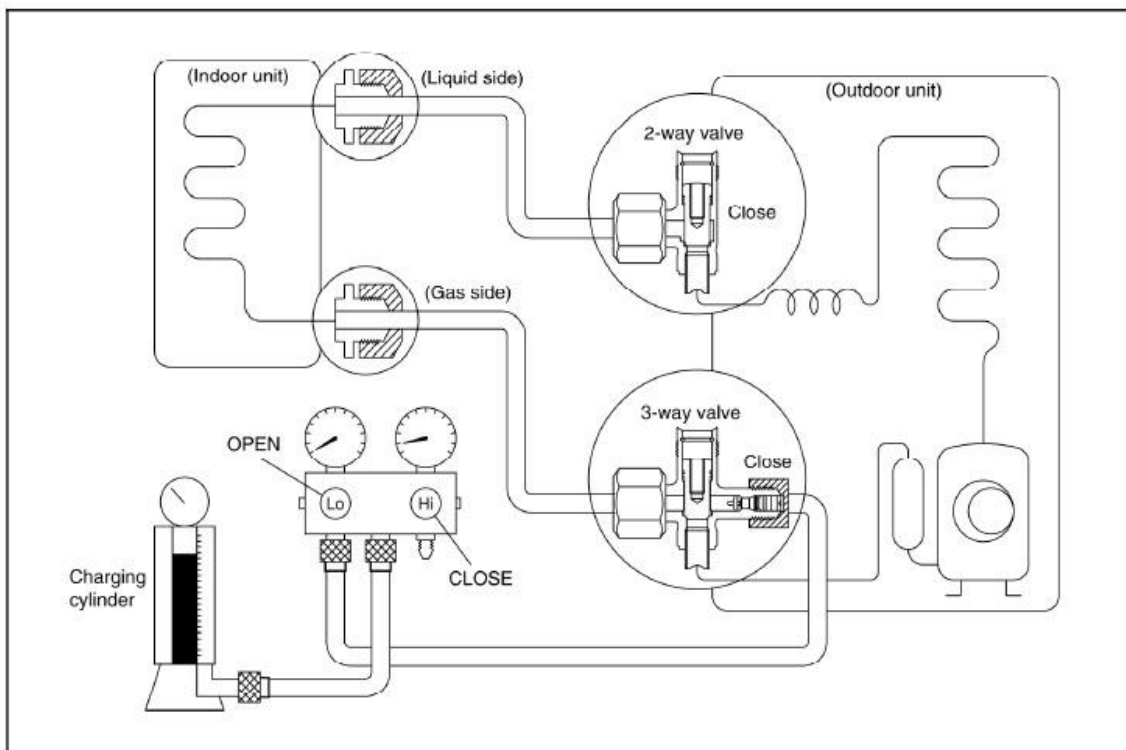
6) Make evacuation for 30 minutes and check whether the compound meter indicates -0.1Mpa. If the meter does not indicate -0.1Mpa after pumping 30 minutes, it should be pumped 20 minutes more. If the pressure can't achieve -0.1Mpa after pumping 50 minutes, please check if there are some leakage points.

Fully close the handle Lo valve of the manifold valve and stop the operation of the vacuum pump. Confirm that the gauge needle does not move (approximately 5 minutes after turning off the vacuum pump).

7) Turn the flare nut of the 3-way valves about 45° counterclockwise for 6 or 7seconds after the gas coming out, then tighten the flare nut again. Make sure the pressure display in the pressure indicator is a little higher than the atmosphere pressure. Then remove the charge hose from the 3 way valve.

8) Fully open the 2 way valve and 3 way valve and securely tighten the cap of the 3 way valve.

2. Air purging by refrigerant



Procedure:

- 1). Confirm that both the 2-way and 3-way valves are set to the closed position.
- 2). Connect the charge set and a charging cylinder to the service port of the 3-way valve.
- 3). Air purging.

Open the valves on the charging cylinder and the charge set. Purge the air by loosening the flare nut on the 2-way valve approximately 45° for 3 seconds then closing it for 1 minute; repeat 3 times.

After purging the air, use a torque wrench to tighten the flare nut on the 2-way valve.

- 4). Check the gas leakage.

Check the flare connections for gas leakage.

- 5). Discharge the refrigerant.

Close the valve on the charging cylinder and discharge the refrigerant by loosening the flare nut on the 2-way valve approximately 45' until the gauge indicates 0.3 to 0.5 Mpa.

6). Disconnect the charge set and the charging cylinder, and set the 2-way and 3-way valves to the open position.

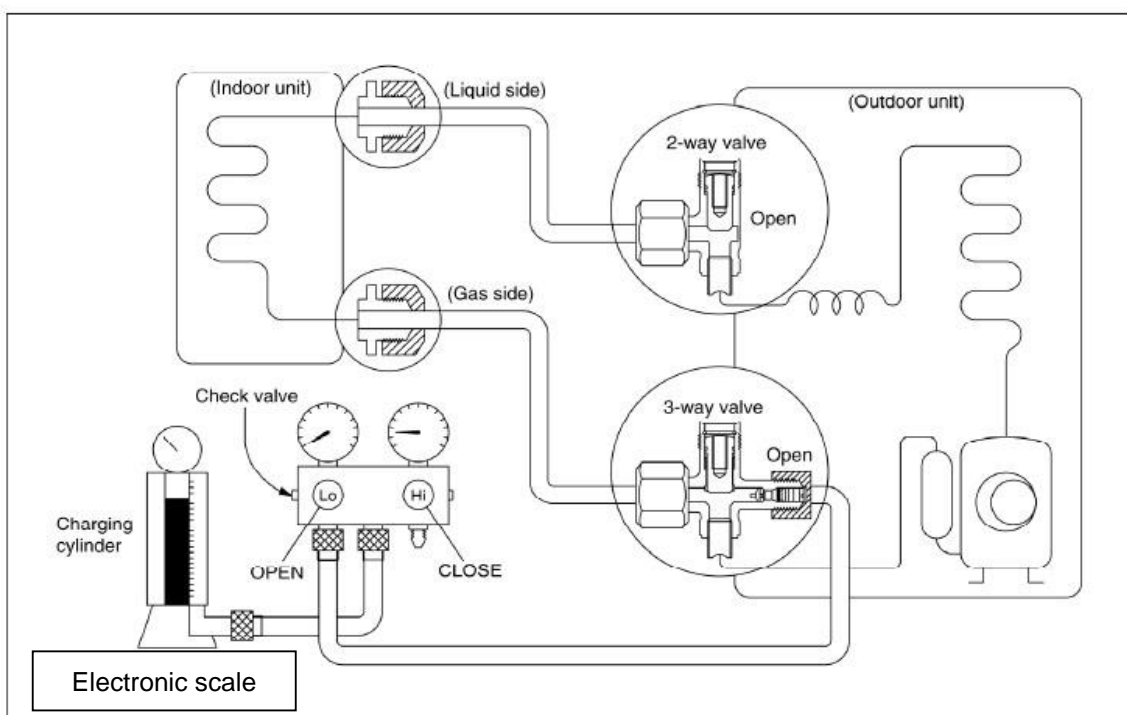
Be sure to use a hexagonal wrench to operate the valve stems.

7). Mount the valve stems nuts and the service port cap.

Be sure to use a torque wrench to tighten the service port cap to a torque 18N·m.

Be sure to check the gas leakage.

3. Adding the refrigerant if the pipe length >5m



Procedure:

1). Connect the charge hose to the charging cylinder, open the 2-way valve and the 3-way valve.

Connect the charge hose which you disconnected from the vacuum pump to the valve at the bottom of the cylinder. If the refrigerant is R410A, make the cylinder bottom up to ensure the liquid charge.

2). Purge the air from the charge hose.

Open the valve at the bottom of the cylinder and press the check valve on the charge set to purge the air (be careful of the liquid refrigerant).

3) Put the charging cylinder onto the electronic scale and record the weight.

4) Operate the air conditioner at the cooling mode.

5) Open the valves (Low side) on the charge set and charge the system with liquid refrigerant.

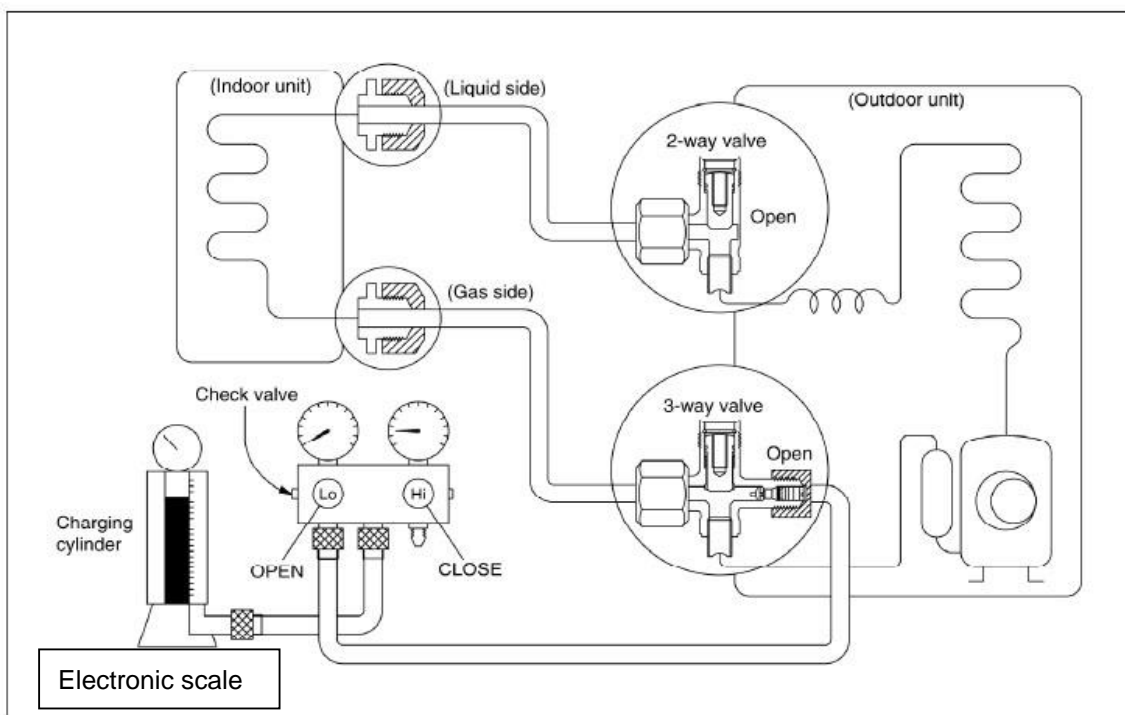
6). When the electronic scale displays the proper weight (refer to the table), disconnect the charge hose from the 3-way valve's service port immediately and turn off the air conditioner before disconnecting the hose.

7). Mount the valve stem caps and the service port

Use torque wrench to tighten the service port cap to a torque of 18N.m.

Be sure to check for gas leakage.

6.5 Adding the refrigerant after running the system for many years



Procedure:

- 1). Connect the charge hose to the 3-way service port, open the 2-way valve and the 3-way valve. Connect the charge hose to the valve at the bottom of the cylinder. If the refrigerant is R410A, make the cylinder bottom up to ensure liquid charge.
- 2). Purge the air from the charge hose.
Open the valve at the bottom of the cylinder and press the check valve on the charge set to purge the air (be careful of the liquid refrigerant).
- 3) Put the charging cylinder onto the electronic scale and record the weight.
- 4) Operate the air conditioner at the cooling mode.
- 5) Open the valves (Low side) on the charge set and charge the system with liquid refrigerant.

6). When the electronic scale displays the proper weight (refer to the gauge and the pressure of the low side), disconnect the charge hose from the 3-way valve's service port immediately and turn off the air conditioner before disconnecting the hose.

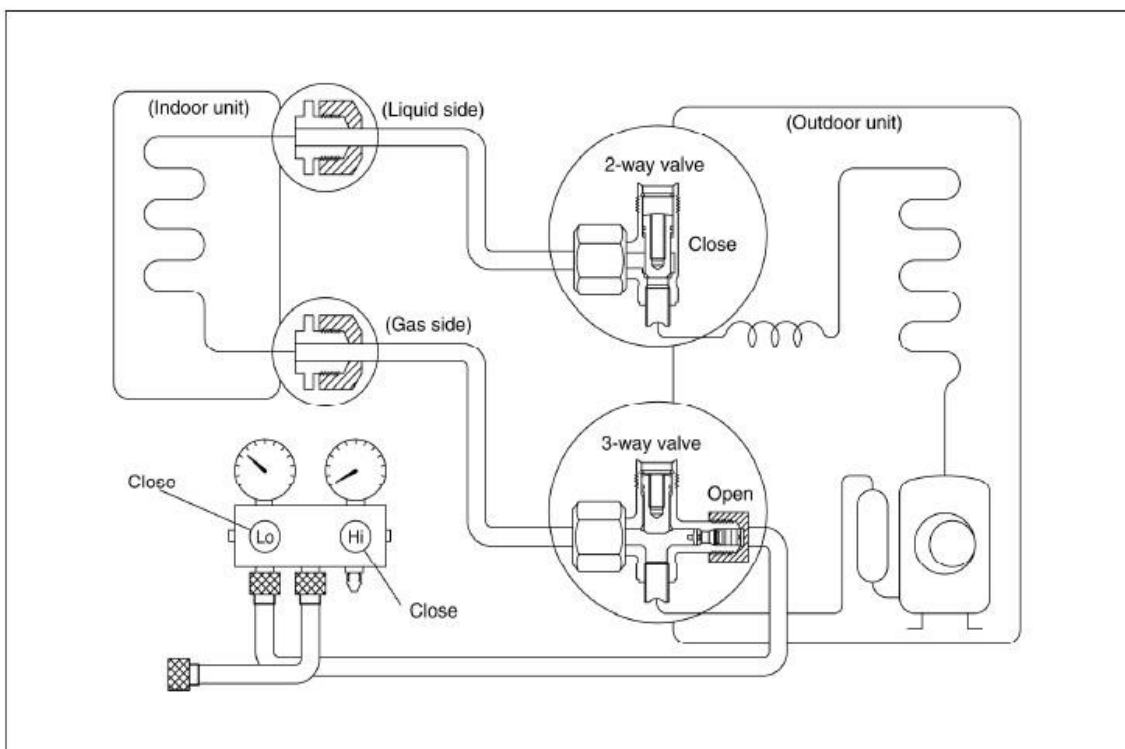
7). Mount the valve stem caps and the service port

Use torque wrench to tighten the service port cap to a torque of 18N.m.

Be sure to check for gas leakage.

6.6 Re-installation while the indoor unit need to be repaired

1. Collecting the refrigerant into the outdoor unit



Procedure

1). Confirm that both the 2-way and 3-way valves are set to the opened position

Remove the valve stem caps and confirm that the valve stems are in the opened position.

Be sure to use a hexagonal wrench to operate the valve stems.

2). Connect the charge hose with the push pin of handle lo to the 3-way valves gas service port.

3). Air purging of the charge hose.

Open the handle Lo valve of the manifold valve slightly to purge air from the charge hose for 5 seconds and then close it quickly.

4). Set the 2-way valve to the close position.

- 5). Operate the air conditioner at the cooling cycle and stop it when the gauge indicates 0.1MPa.
- 6). Set the 3-way valve to the closed position immediately

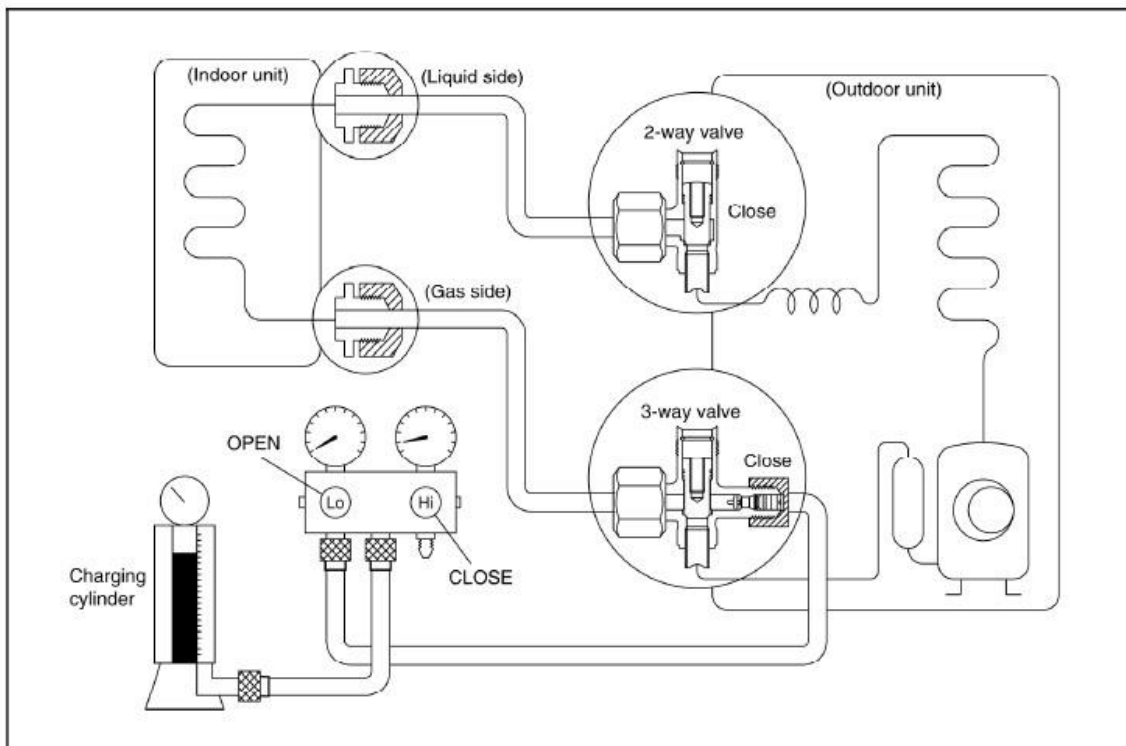
Do this quickly so that the gauge ends up indicating 0.3 to 0.5Mpa.

Disconnect the charge set, and tighten the 2-way and 3-way valve's stem nuts.

Use a torque wrench to tighten the 3-way valves service port cap to a torque of 18N.m.

Be sure to check for gas leakage.

2. Air purging by the refrigerant



Procedure:

- 1). Confirm that both the 2-way and 3-way valves are set to the closed position.
- 2). Connect the charge set and a charging cylinder to the service port of the 3-way valve

Leave the valve on the charging cylinder closed.

- 3). Air purging.

Open the valves on the charging cylinder and the charge set. Purge the air by loosening the flare nut on the 2-way valve approximately 45° for 3 seconds then closing it for 1 minute; repeat 3 times.

After purging the air, use a torque wrench to tighten the flare nut on the 2-way valve.

- 4). Check the gas leakage

Check the flare connections for gas leakage.

5). Discharge the refrigerant.

Close the valve on the charging cylinder and discharge the refrigerant by loosening the flare nut on the 2-way valve approximately 45' until the gauge indicates 0.3 to 0.5 Mpa.

6). Disconnect the charge set and the charging cylinder, and set the 2-way and 3-way valves to the open position

Be sure to use a hexagonal wrench to operate the valve stems.

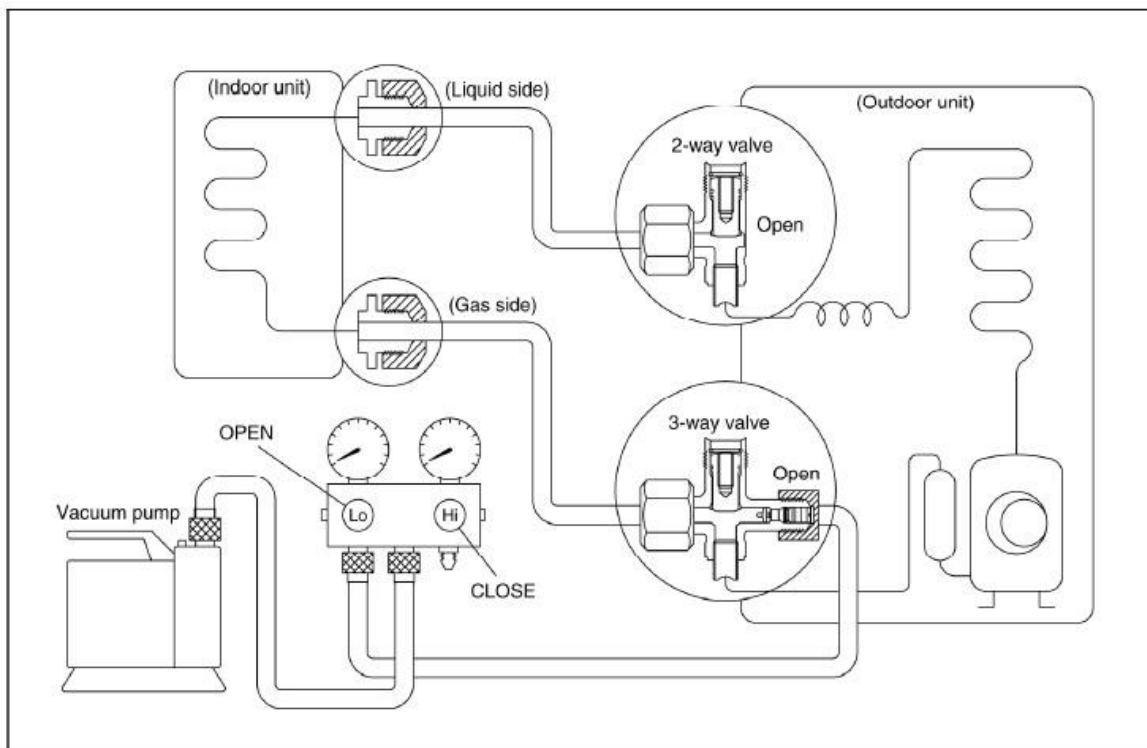
7). Mount the valve stems nuts and the service port cap

Be sure to use a torque wrench to tighten the service port cap to a torque 18N.m.

Be sure to check the gas leakage.

6.7 Re-installation while the outdoor unit need to be repaired

1. Evacuation for the whole system

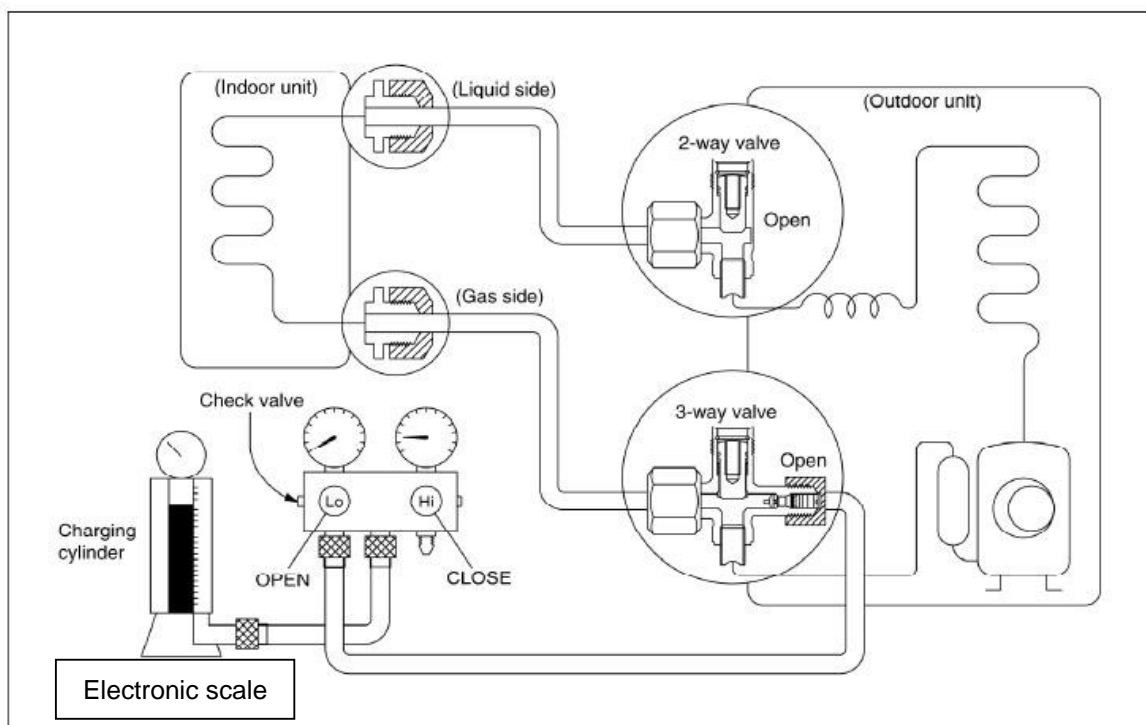


Procedure:

- 1). Confirm that both the 2-way and 3-way valves are set to the opened position.
- 2). Connect the vacuum pump to 3-way valve's service port.
- 3). Evacuation for approximately one hour. Confirm that the compound meter indicates -0.1Mpa.
- 4). Close the valve (Low side) on the charge set, turn off the vacuum pump, and confirm that the gauge needle does not move (approximately 5 minutes after turning off the vacuum pump).

5). Disconnect the charge hose from the vacuum pump.

2. Refrigerant charging



Procedure:

- 1). Connect the charge hose to the charging cylinder, open the 2-way valve and the 3-way valve
Connect the charge hose which you disconnected from the vacuum pump to the valve at the bottom of the cylinder. If the refrigerant is R410A, make the cylinder bottom up to ensure liquid charge.
- 2). Purge the air from the charge hose
Open the valve at the bottom of the cylinder and press the check valve on the charge set to purge the air (be careful of the liquid refrigerant).
- 3) Put the charging cylinder onto the electronic scale and record the weight.
- 4). Open the valves (Low side) on the charge set and charge the system with liquid refrigerant
If the system cannot be charge with the specified amount of refrigerant, or can be charged with a little at a time (approximately 150g each time) , operating the air conditioner in the cooling cycle; however, one time is not sufficient, wait approximately 1 minute and then repeat the procedure.
- 5).When the electronic scale displays the proper weight, disconnect the charge hose from the 3-way valve's service port immediately
If the system has been charged with liquid refrigerant while operating the air conditioner, turn off the air conditioner before disconnecting the hose.
- 6). Mounted the valve stem caps and the service port

Use torque wrench to tighten the service port cap to a torque of 18N.m.

Be sure to check for gas leakage

7. Operation Characteristics

Model Temperature	Cooling operation	Heating operation	Drying operation
Room temperature	17°C~32°C	0°C~30°C	10°C~32°C
			17°C~32°C
Outdoor temperature	18°C~43°C	-7°C~24°C	11°C~43°C
	(-7°C~43°C: For the models with low temperature cooling system)		18°C~43°C
	(18°C~52°C: For special tropical models)		18°C~52°C (For special tropical models)

CAUTION:

1. If the air conditioner is used beyond the above conditions, certain safety protection features may come into operation and cause the unit to operate abnormally.

2. The room relative humidity should be less than 80%. If the air conditioner operates beyond this figure, the surface of the air conditioner may attract condensation. Please set the vertical air flow louver to its maximum angle (vertically to the floor), and set HIGH fan mode.

3. The optimum performance will be achieved during this operating temperature zone.

8. Electronic function

8.1 Abbreviation

T1: Indoor room temperature

T2: Coil temperature of evaporator

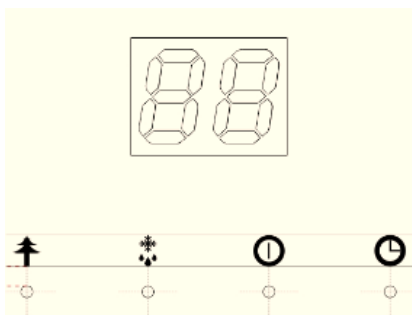
T3: Coil temperature of condenser

T4: Outdoor ambient temperature

T5: Compressor discharge temperature

8.2 Display function

8.2.1 Icon explanation on indoor display board.



2* 7 segments display	<ol style="list-style-type: none"> 1. In normal situation, the setting temperature is displayed. (No temp. display in fan mode.) 2. Shows "SC" when self clean function is activated, "FP" when 8°C heating function is activated. 3. Shows the alarm code whenever there is an alarm.
ION INDICATOR (optional)	Lights up when ionizer or plasma function is activated.
DEFROSTING INDICATOR	Lights up when the unit is under defrosting operation or when the anti-cold air function is activated.
RUN INDICATOR	Lights up when the unit is in operation.
TIMER INDICATOR	Lights up when TIMER function is activated.

8.3 Main Protection

8.3.1 Time Delay at restart for compressor.

8.3.2 Sensor protection at open circuit and breaking disconnection.

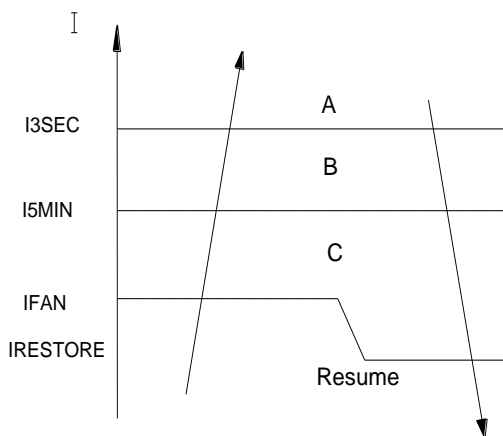
8.3.3 Zero crossing detection error protection

If AC can not detect zero crossing signal for 4 minutes or the zero crossing signal time interval is not correct, the unit will stop and the LED will display the failure. The correct zero crossing signal time interval should be between 6-13ms.

8.3.4 Fan Speed is out of control

When Indoor Fan Speed is too low(lower than 300RPM) lasting 2 minutes, the unit stops and LED displays failure information and can't returns to normal operation automatically.

8.3.5 Current protection



A zone : The current exceeds I_{3SEC} for 5 seconds(3 seconds are for [MS12F-22HR-PB8W](#)), the compressor and outdoor fan will shut off.

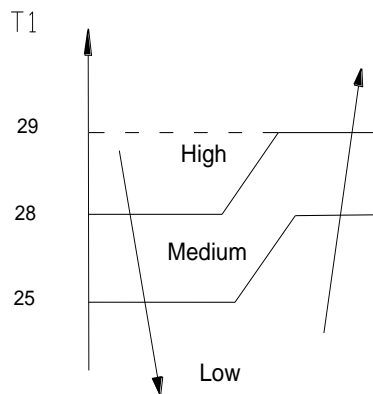
B zone: The current exceeds I_{5min} for 5 minutes, the compressor and outdoor fan will shut off.

C zone: The current exceeds I_{FAN} , the outdoor fan will shut off if AC is in heating mode. If AC is in cooling mode, the indoor fan will run at low speed.

8.4 Operation Modes and Functions

8.4.1 Fan mode

- (1) Outdoor fan and compressor stop.
- (2) Temperature setting function is disabled, and no setting temperature is displayed.
- (3) Indoor fan can be set to high/med/low/auto.
- (4) The louver operates the same as in cooling mode.
- (5) Auto fan:



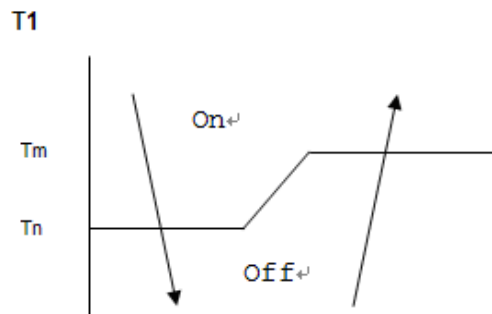
8.4.2 Cooling Mode

8.4.2.1 Compressor running rules

Once the compressor starts up, it will run 5.5 minutes. And then it will follow the below rules:

When indoor room temp. T1 is lower than Tn, the compressor and outdoor fan will shut off.

When T1 is higher than Tm, the compressor and outdoor fan will start up.



$$T_m = T_s, T_n = T_s - 2.$$

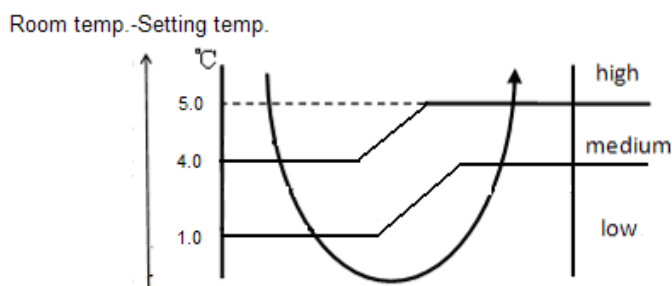
8.4.2.2 Outdoor fan running rules

The On-off outdoor units have single fan speed. The outdoor fan will run following the compressor except when AC is in evaporator high temp. protection in heating mode ,condenser high temp. protection in cooling mode, defrosting mode and the current protection.

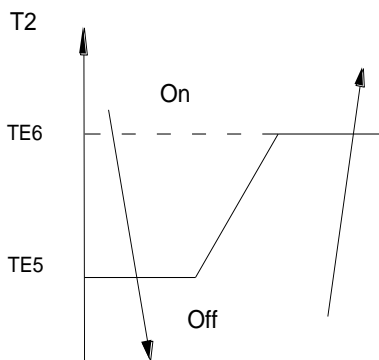
8.4.2.3 Indoor fan running rules

In cooling mode, indoor fan runs all the time and the speed can be selected as high, medium, low and auto.

The auto fan:



8.4.2.4 Low evaporator coil temperature T2 protection



When the evaporator coil temp.T2 keeps lower than TE5 for 5 minutes, the compressor and outdoor fan will shut off. When T2 is higher than TE6, the compressor and outdoor fan will restart up.

8.4.2.5 Condenser high temperature T3 protection(Only for 21k,22K,24k models)

When $T3 \geq TE10$, the compressor will stop and restart until $T3 < TE11$.

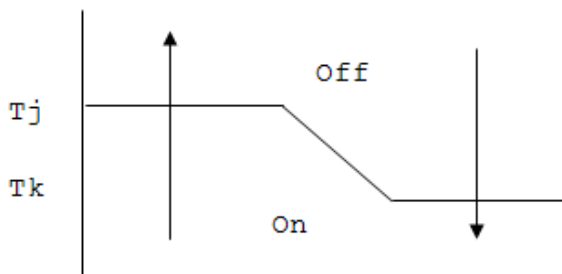
During the protection, the outdoor fan keeps working.

8.4.3 Heating Mode(only for heat pump models)

8.4.3.1 Compressor running rules:

Once the compressor starts up, it will run 7 minutes. And then it will follow the below rules:

When indoor room temp. T_1 is higher than T_j , the compressor and outdoor fan will shut off. When T_1 is lower than T_k , the compressor and outdoor fan will start up.



While $T_j = T_s + T_B$; $T_k = T_s + T_B - 2$

8.4.3.2 Outdoor fan running rules:

The outdoor units have single fan speed. The outdoor fan will run following the compressor except when AC is in evaporator high temp. protection in heating mode, condenser high temp. protection in cooling mode, defrosting mode and the current protection.

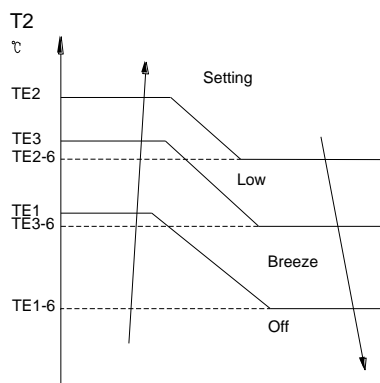
8.4.3.3 Indoor fan running rules:

When the compressor is on, the indoor fan can be set to high/med/low/auto. And the anti-cold wind function has the priority.

If the compressor stops caused by the room temperature rising, the indoor fan will be forced to run at breeze for 127 seconds. During this period, the anti-cold-wind is disabled.

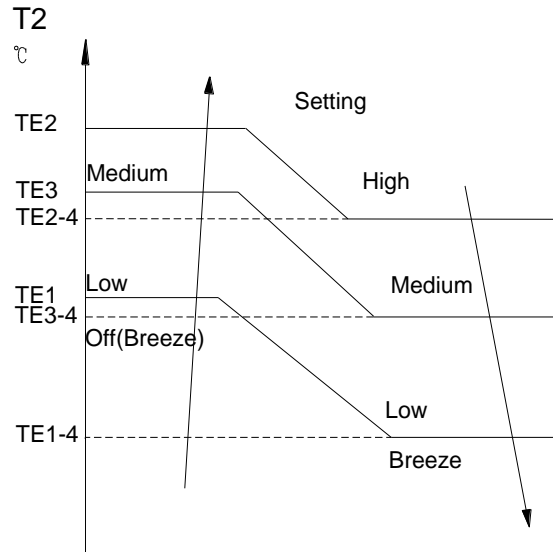
Anti-cold wind function:

For AWSI-HMF018-H61:



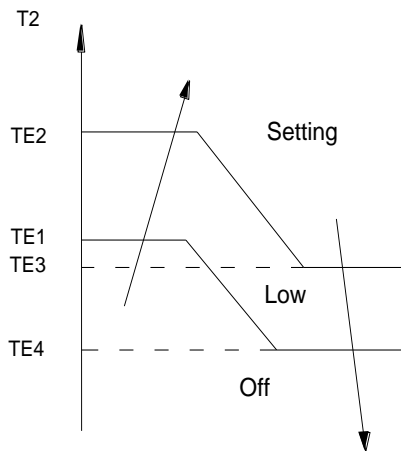
When the compressor is on, the indoor fan can be set to high/med/low/auto. And the anti-cold wind function has the priority. If the compressor stops caused by the room temperature rising and $T2 \geq TE1-6$, the indoor fan will be forced to run at breeze for 127 seconds, if $T2 < TE1-6$, the indoor fan will stop immediately.

For **AWSI-HMF009-H61, AWSI-HMF012-H61:**



When the compressor is on, the indoor fan can be set to high/med/low/auto. And the anti-cold wind function has the priority. If the compressor stops caused by the room temperature rising and $T2 \geq TE1-4$, the indoor fan will be forced to run at breeze for 127 seconds, if $T2 < TE1-4$, the indoor fan will stop immediately.

For other models:



When evaporator coil temp. T2 is getting higher,

$T2 > TE2$, the indoor fan will run at setting speed.

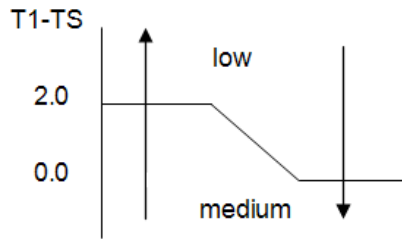
$TE1 < T2 < TE2$, the indoor fan will run at low speed.

When $T2$ is getting lower,

$TE4 < T2 < TE3$, the indoor fan will run at low speed.

$T2 < TE4$, the indoor fan will shut off.

Auto fan action:



When $T1-Ts > 2^{\circ}\text{C}$, the indoor fan will run at low speed.

When $T1-Ts \leq 0^{\circ}\text{C}$, the indoor fan will run at medium speed.

8.4.3.4 Defrosting mode:

For AWSI-HMF009-H61, AWSI-HMF012-H61, AWSI-HMF018-H61:

● **Condition of defrosting:**

1、AC will enter the defrosting mode if all of the following items(1.1,1.2,1.3 or 1.1, 1.2, 1.4) are satisfied.

$\Delta T' = \Delta T$, if the indoor fan=low speed.

$\Delta T' = \Delta T + 3$, if the indoor fan=medium speed.

$\Delta T' = \Delta T + 5$, if the indoor fan=high speed.

$\Delta T'_{\text{max}}$ is the maximum value of $\Delta T'$.

When fan speed changes(including anti-cold wind function), AC will detect ΔT after two minutes.

1.1 AC meets A1 or A2.

A1: The cumulative compressor running time is between 45~120 minutes. Meanwhile the value of ΔT meets the below table.

$^{\circ}\text{C}$	ΔT
High speed	$< T_{H\text{DEFROST}}$
Medium speed	$< T_{M\text{DEFROST}}$
Low speed	$< T_{L\text{DEFROST}}$

A2: The cumulative compressor running time is over 120 minutes. Meanwhile the value of ΔT meets the below table.

$^{\circ}\text{C}$	ΔT
High speed	$< T_{H\text{DEFROST}} + 2$
Medium speed	$< T_{M\text{DEFROST}} + 2$
Low speed	$< T_{L\text{DEFROST}} + 2$

1.2 If the fan speed and the evaporator coil temp.T2 meet the below issues:

°C	T2
High speed	<43°C
Medium speed	<46°C
Low speed	<48°C

1.3 After the compressor keeps running 8 minutes, $\Delta T'_{max} - \Delta T' \geq 6^\circ\text{C}$ ($\Delta T = T_2 - T_1$)

1.4 After the compressor keeps running 8 minutes, if $-5^\circ\text{C} < T_1 < 45^\circ\text{C}$ and $-5^\circ\text{C} < T_2 < 45^\circ\text{C}$, AC will detect the ΔT . Mark the time of $\Delta T'$ dropped 1.5 degree as t. When $1\text{min} < t < \text{FALL08CTM}$, this condition is satisfied.(FALL08CTM is controlled by EEPROM chip).

About the setting defrosting time:

	runtime (minute)	Defrosting time (minute)
Case 1	Runtime=45	10
Case 2	$45 < \text{runtime} \leq 60$	7.5
Case 3	$60 < \text{runtime} \leq 90$	8.5
Case 4	$90 < \text{runtime} \leq 120$	10
Case 5	$120 < \text{runtime}$	12

2, AC will enter the defrosting mode if all of the following items are satisfied:

2.1 The compressor cumulative running time is over 45 minutes.

2.2 The compressor continuous running time is over 8 minutes.

2.3 The indoor fan is off.

In this case, the defrosting time is ten minutes.

3、 AC will enter the defrosting mode if all of the following items are satisfied:

3.1 After AC runs in heating mode, there is no defrosting before.

3.2 The cumulative compressor running time is over 45 minutes.

3.3 The 1.1 and 1.2 are satisfied if AC is in high/Medium/Low speed .Or the fan speed is breeze.

In this case, the defrosting time is ten minutes.

● **Condition of ending defrosting:**

If any one of the following items is satisfied, the defrosting will terminate and the machine will turn to normal heating mode.

(1) The defrosting time is reached to the setting value.

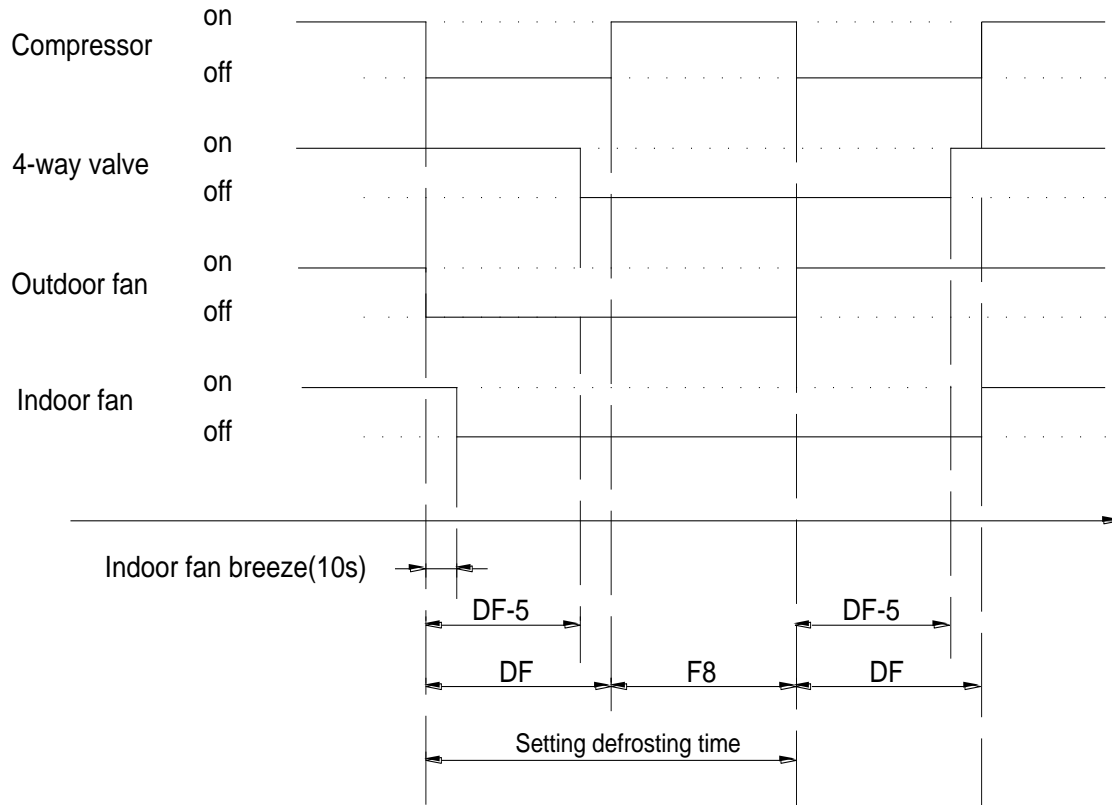
(2) The defrosting has been running for 3 minutes and $T_2 \geq 2^\circ\text{C}$.

(3) The defrosting has been running for 2 minutes, check the value of T2. If $T_2 - T_{2min} \geq 2^\circ\text{C}$ during

4 minutes, the defrosting will terminate.

- (4) The compressor current has reached to $I_{DEFROST}$ or above lasting 7 seconds, $I_{DEFROST}$ differs in different models

● **Defrosting action:**



For 24k models:

● **Condition of defrosting:**

AC will enter defrosting mode if any of the following items is satisfied.

- (1) If $T_3 < TC_1$ and the compressor keeps running over 45 minutes. Meanwhile $T_3 < TC_3$ for 3minutes.
- (2) In heating mode, If the compressor keeps running for 8 minutes and $T_3 < -11\text{ }^\circ\text{C}$ continuously, then the compressor keeps running over 45 minutes.

After the last defrosting, the time that the outdoor fan is off but the compressor is on in high T_2 protection cumulates up to 90 minutes.

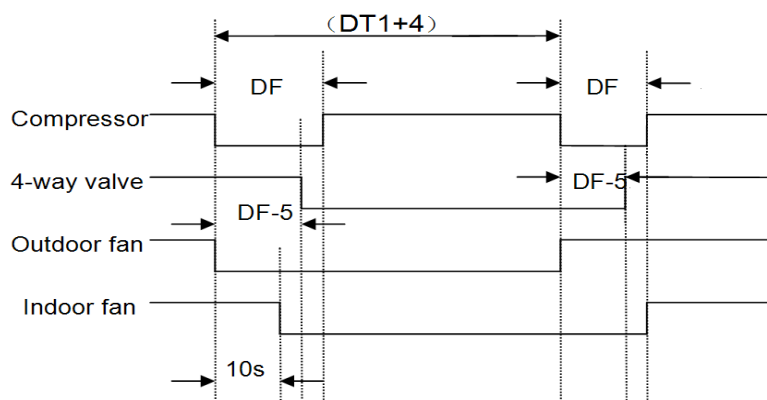
● **Condition of ending defrosting:**

If any one of the following items is satisfied, the defrosting will terminate and the machine will turn

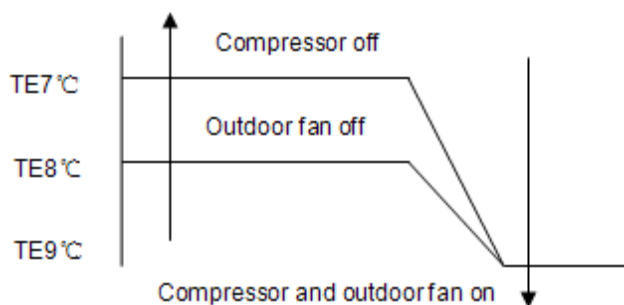
to normal heating mode.

- (1) T3 rises to be higher than TC2.
- (2) The machine has run for 10 minutes in defrosting.

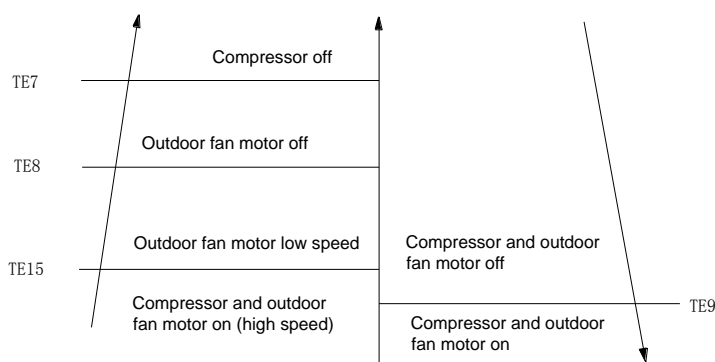
● **Defrosting action:**



8.4.3.5 High evaporator coil temp.T2 protection:



8.4.3.5 High evaporator coil temp.T2 protection(for MS12F-22HR-PB8W):



8.4.4 Auto-mode

This mode can be chosen with remote controller and the setting temperature can be changed
 HMF R22 Series

between 17~30°C.

In auto mode, the machine will choose cooling, heating or fan-only mode according to ΔT ($\Delta T = T1 - Ts$).

$\Delta T = T1 - Ts$	Running mode
$\Delta T > 2^\circ\text{C}$	Cooling
$-3 \leq \Delta T \leq 2^\circ\text{C}$	Fan-only
$\Delta T < -3^\circ\text{C}$	Heating (For cooling only models, they will run at fan only mode.)

AC will run in auto mode in the below cases:

- (1) Pressing the forced auto button.
- (2) If AC is off, it will run in auto mode when the timer on function is active.
- (3) After setting the mode, AC will run in auto mode if the compressor keeps not running for 20 minutes.

8.4.5 Drying mode

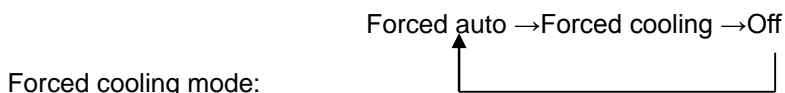
8.4.5.1 The compressor is cycled running with 10 minutes on and then 5 minutes off. The indoor fan will keep running at low speed.

8.4.5.2 In drying mode, if room temperature is lower than 10°C, the compressor will stop and not resume until room temperature exceeds 13°C.

8.4.5.3 The evaporator anti-freezing protection is the same as that in cooling mode.

8.4.6 Forced operation function

Press the touch button continually, the AC will run as below sequence:



The compressor and outdoor fan keep running and the indoor fan runs at low speed. After running for 30 minutes, AC will turn to auto mode with 24°C setting temperature.

Forced auto mode:

The action of forced auto mode is the same as normal auto mode with 24°C setting temperature.

- When AC receives signals, such as switch on, switch off, timer on, timer off, mode setting, fan speed setting, sleeping mode setting, follow me setting, it will quit the forced operation.
- The forced operation function can not be memorized if power off.

8.4.7 Timer function

8.4.7.1 Timing range is 24 hours.

8.4.7.2 Timer on. The machine will turn on automatically when reaching the setting time.

8.4.7.3 Timer off. The machine will turn off automatically when reaching the setting time.

8.4.7.4 Timer on/off. The machine will turn on automatically when reaching the setting “on” time, and then turn off automatically when reaching the setting “off” time.

8.4.7.5 Timer off/on. The machine will turn off automatically when reaching the setting “off” time, and then turn on automatically when reaching the setting “on” time.

8.4.7.6 The timer function will not change the AC current operation mode. Suppose AC is off now, it will not start up firstly after setting the “timer off” function. And when reaching the setting time, the timer LED will be off and the AC running mode has not been changed.

8.4.7.7 The setting time is relative time.

8.4.7.8 The AC will quit the timer function when it has malfunction.

8.4.8 Sleep function mode

8.4.8.1 Operation time in sleep mode is 7 hours. After 7 hours the AC quits this mode and turns off.

8.4.8.2. Operation process in sleep mode is as follow:

When cooling, the setting temperature rises 1°C (be lower than 30°C) every one hour, 2 hours later the setting temperature stops rising and indoor fan is fixed as low speed.

When heating, the setting temperature decreases 1°C (be higher than 17°C) every one hour, 2 hours later the setting temperature stops rising and indoor fan is fixed as low speed. (Anti-cold wind function has the priority)

8.4.8.3 Timer setting is available

8.4.8.4 When user uses timer off function in sleep mode (or sleep function in timer off mode), if the timing is less than 7 hours, sleep function will be cancelled when reaching the setting time. If the timing is more than 7 hours, the machine will not stop until reaches the setting time in sleep mode.

8.4.9 Auto-Restart function

The indoor unit is equipped with auto-restart function, which is carried out through an auto-restart module. In case of a sudden power failure, the module memorizes the setting conditions before the power failure. The unit will resume the previous operation setting (not including swing function)



automatically after 3 minutes when power returns.

If the memorization condition is forced cooling mode, the unit will run in cooling mode for 30 minutes and turn to auto mode as 24°C setting temp.

If AC is off before power off and AC is required to start up now, the compressor will have 1 minute delay when power on. Other conditions, the compressor will have 3 minutes delay when restarts.

8.4.10 Refrigerant Leakage Detection

With this new technology, the display area will show "EC" when the outdoor unit detects refrigerant leakage.

8.4.11 Louver Position Memory Function

When starting the unit again after shutting down, its louver will restore to the angle originally set by the user, but the precondition is that the angle must be within the allowable range, if it exceeds, it will memorize the maximum angle of the louver. During operation, if the power fails or the end user shuts down the unit in the turbo mode, the louver will restore to the default angle.

8.4.12 8°C Heating(optional)

In heating operation, the preset temperature of the air conditioner can be as lower as 8°C, which keeps the room temperature steady at 8°C and prevents household things freezing when the house is unoccupied for a long time in severe cold weather.

9. Troubleshooting

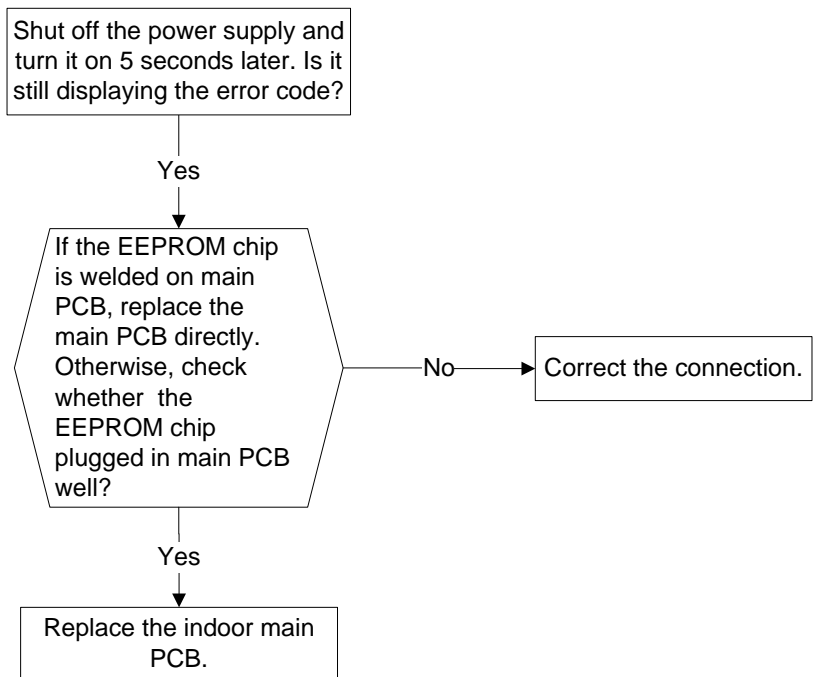
9.1 Indoor Unit Error Display

Operation lamp	Timer lamp	Display	LED STATUS
☆ 1 time	X	E1	EEPROM parameter error
☆ 2 times	X	E2	Zero-crossing signal detection error
☆ 3 times	X	E3	Indoor fan speed has been out of control
☆ 5 times	X	E5	Indoor room temperature sensor T1 open circuit or short circuit
☆ 6 times	X	E6	Evaporator coil temperature sensor T2 open circuit or short circuit
☆ 7 times	X	E7	Condenser coil temperature sensor T3 open circuit or short circuit(only for AWSI-HMF024-H61)
☆ 2 times	O	EC	Refrigerant leakage detection
☆ 8 times	X	E8	Outdoor fan speed has been out of control
☆ 9 times	X	E9	Indoor unit and outdoor unit communication error (AWSI-HMF024-H61)

O (light) X (off) ☆ (flash)

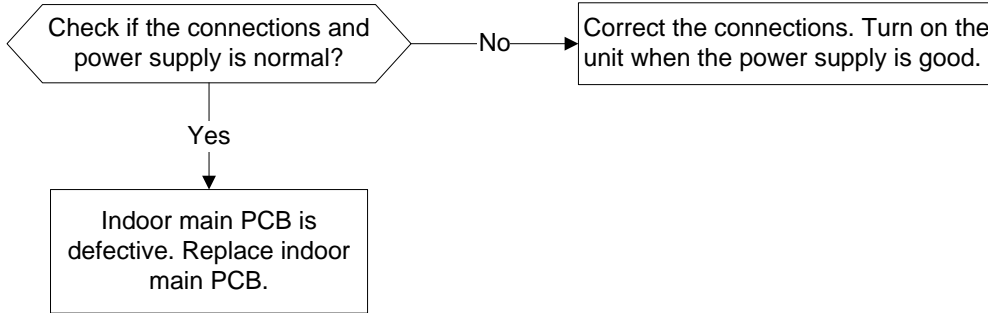
9.2 Diagnosis and Solution

9.2.1 EEPROM parameter error diagnosis and solution

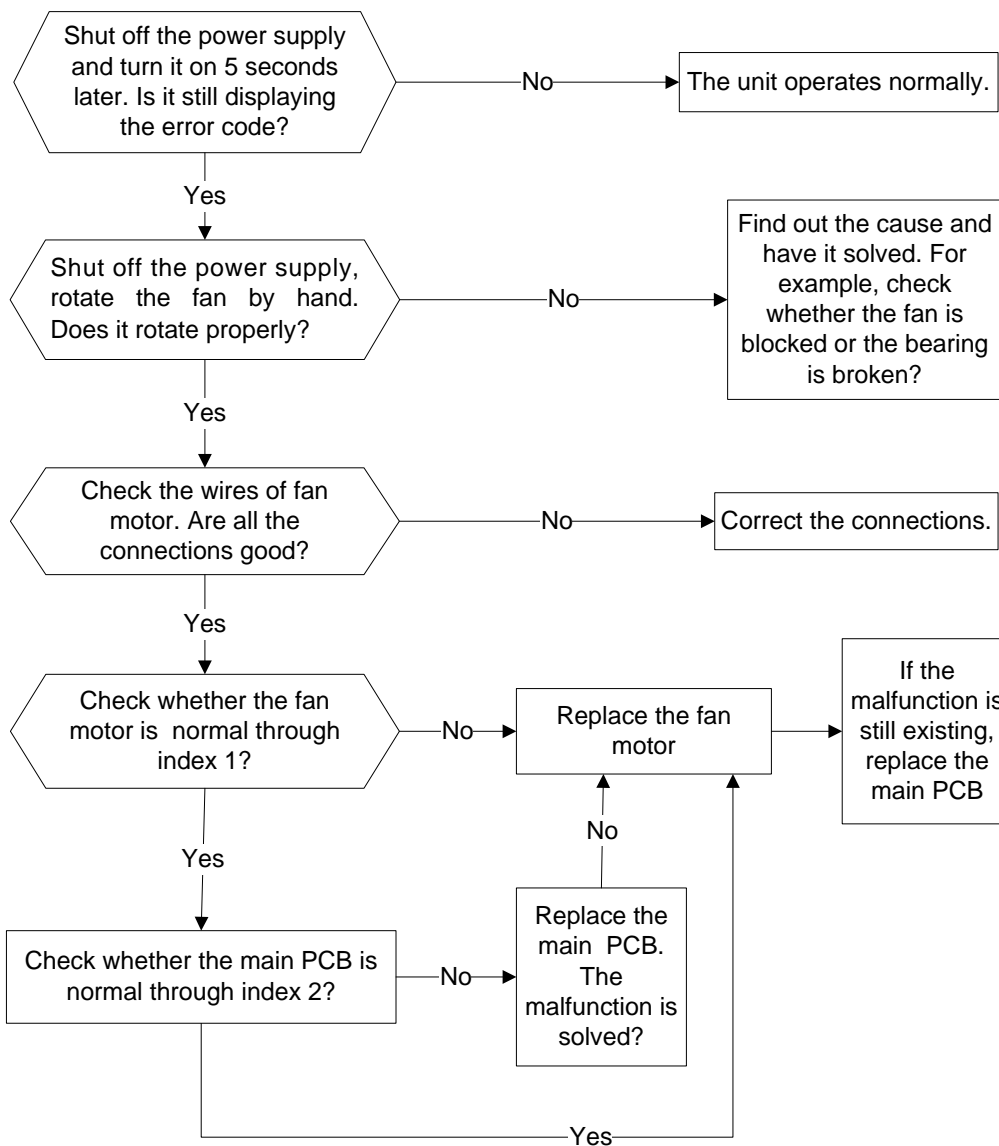


EEPROM: a read-only memory whose contents can be erased and reprogrammed using a pulsed voltage.

9.2.2 Zero crossing detection error diagnosis and solution



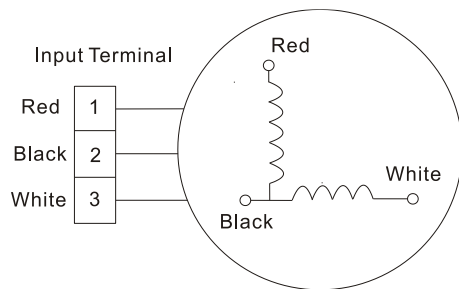
9.2.3 Indoor fan speed has been out of control diagnosis and solution



Index 1:

1. Indoor AC Fan Motor

Measure the resistance value of each winding by using the tester.

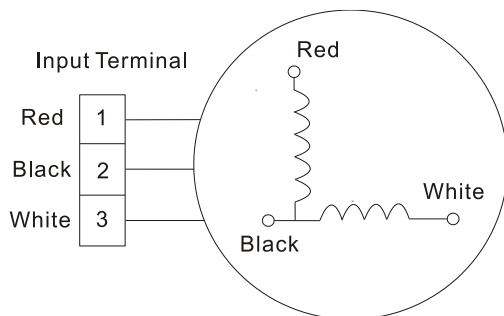


For the resistance value of the motor, please contact the technical engineer.

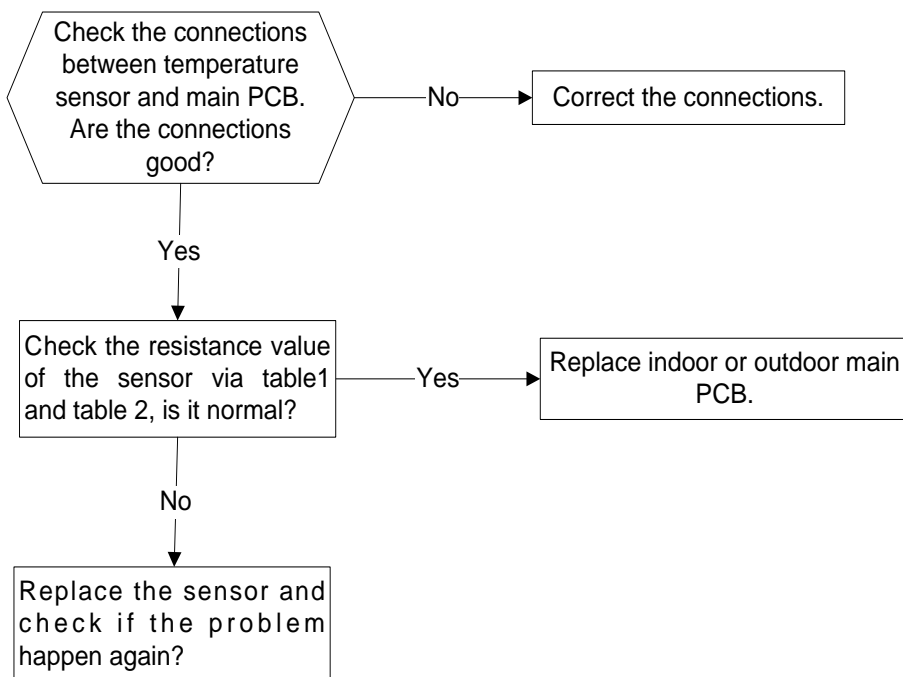
Index2:

1: Indoor AC Fan Motor

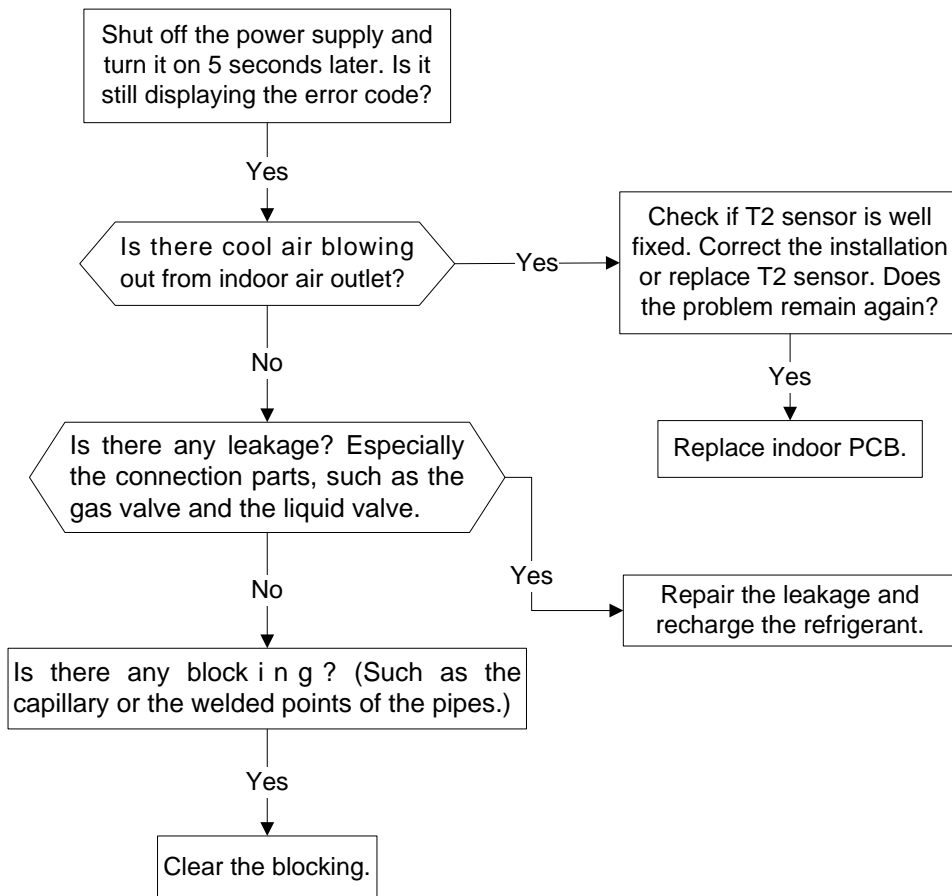
Power on and set the unit running in fan mode at high fan speed. After running for 15 seconds, measure the voltage of pin1 and pin2. If the value of the voltage is less than 100V(208~240V power supply) or 50V(115V power supply), the PCB must have problems and need to be replaced.



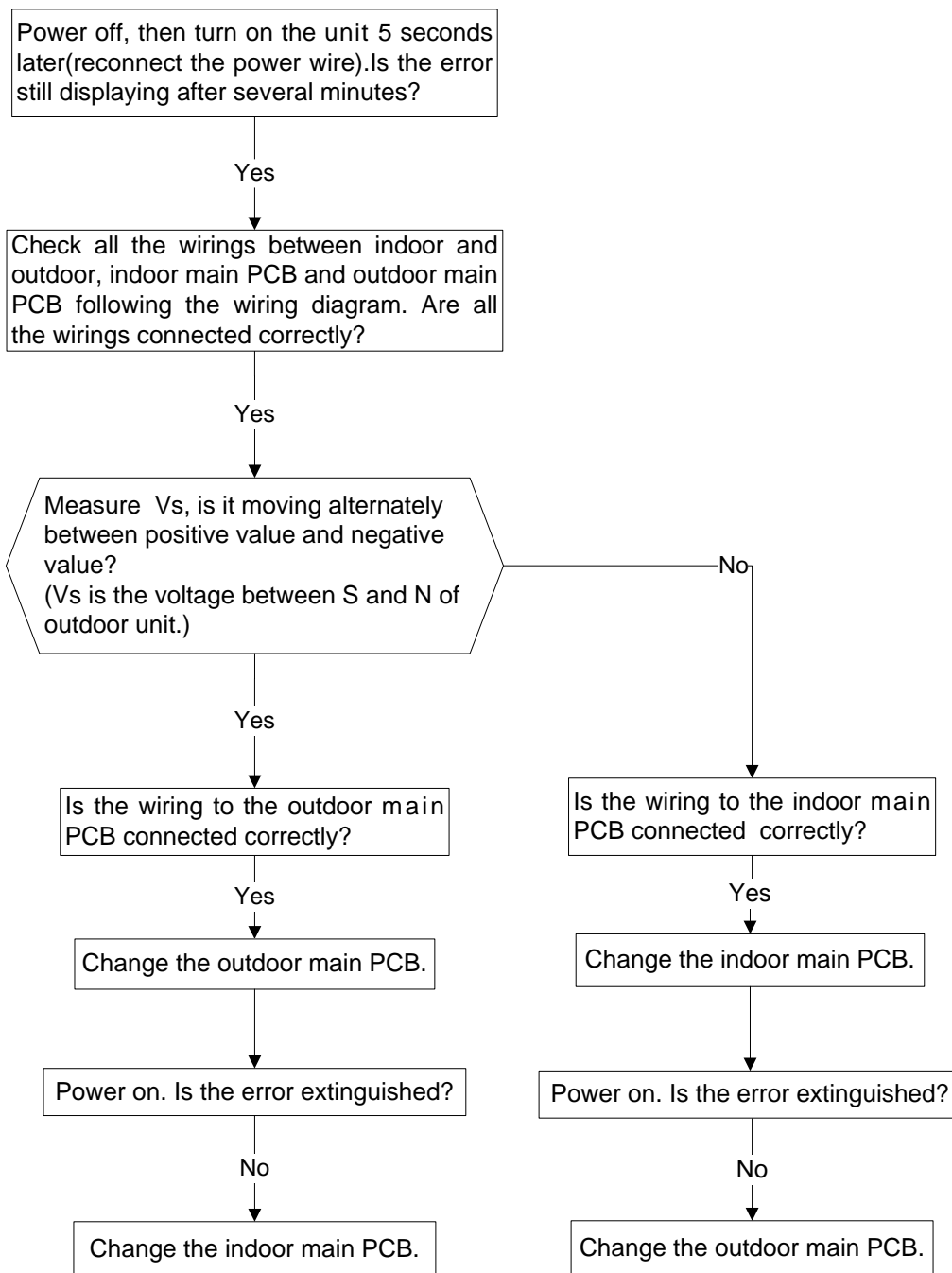
9.2.4 Open circuit or short circuit of temperature sensors diagnosis and solution



9.2.5 Refrigerant leakage detection diagnosis and solution



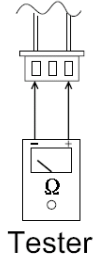
9.2.6 Indoor / outdoor units communication error diagnosis and solution



Main parts check

1. Temperature sensor checking

Disconnect the temperature sensor from PCB, measure the resistance value with a tester.



Temperature Sensors.

Room temp.(T1) sensor,

Indoor coil temp.(T2) sensor,

Outdoor coil temp.(T3) sensor,

Outdoor ambient temp.(T4) sensor,

Compressor discharge temp.(T5) sensor.

Measure the resistance value of each winding by using the multi-meter.

Table1:Some frequently-used R-T data for T1,T2,T3 and T4 sensor:

Temperature (°C)	5	10	15	20	25	30	40	50	60
Resistance Value (KΩ)	26.9	20.7	16.1	12.6	10	8	5.2	3.5	2.4

Table2:Some frequently-used R-T data for T5 sensor:

Temperature (°C)	5	15	25	35	60	70	80	90	100
Resistance Value (KΩ)	141.6	88	56.1	36.6	13.8	9.7	6.9	5	3.7

Resistance value (KΩ)

