



# Service Manual

## FWDE Series

---

---

Indoor Units	Outdoor Units
AWSI-FWDE012-N11	AWAU-YBDE012-H11
AWSI-FWDE018-N11	AWAU-YBDE018-H11
AWSI-FWDE024-N11	AWAU-YBDE024-H11



---

REFRIGERANT

R410A

HEAT PUMP

SM FWDE 1-A.1 GB

MAY - 2013

Version:1

**LIST OF EFFECTIVE PAGES**

**Note:** Changes in the pages are indicated by a “Revision#” in the footer of each effected page (when none indicates no changes in the relevant page). All pages in the following list represent effected/ non effected pages divided by chapters.

Dates of issue for original and changed pages are:

Original ..... 01 ..... May 27, 2013

Total number of pages in this publication is **30** consisting of the following:

Page No.	Revision No. #	Page No.	Revision No. #	Page No.	Revision No. #
Title .....	1				
A.....	1				
i .....	1				
1-1 - 1-3 .....	1				
2-1 - 2-3 .....	1				
3-1 - 3-3 .....	1				
4-1 - 4-5 .....	1				
5-1 .....	1				
6-1 – 6-12.....	1				

\* Zero in this column indicates an original page.

## Table of Contents

1.	INTRODUCTION .....	1-2
2.	PRODUCT DATA SHEET .....	2-1
3.	OUTLINE DIMENSIONS .....	3-1
4.	WIRING DIAGRAMS .....	4-1
5.	REFRIGERATION DIAGRAMS .....	5-1
6.	EXPLODED VIEWS AND SPARE PART LISTS.....	6-1

## 1. INTRODUCTION

### 1.1 General

FWDE series split ceiling mounted range comprise RC (heat pump) models, as follows:

- AWSI-FWDE012-N11// AWAU-YBDE012-H11
- AWSI-FWDE018-N11// AWAU-YBDE018-H11
- AWSI-FWDE024-N11// AWAU-YBDE024-H11

### 1.2 Main Features

The FWDE series benefits from the most advanced technological innovations, namely:

- DCI R410A models
- Microprocessor control
- Infrared remote control RC8 with LED
- Remote operation By connecting a special cable(7m length) to display box
- Fresh Air & Distribution treated air to adjacent room
- Indoor centrifugal fan
- High COP
- Ability to work on Low room temperature, up to 12°C
- Cooling operation at outdoor temperature down to -10°C
- Easy access to the interconnecting tubing and wiring connections, main control panel can slide out for service
- Automatic treated air sweep
- Low indoor and outdoor noise levels
- Easy installation and service
- Precharged refrigerant up to the max allowing tubing distance of 20m(Model 18/24)

### 1.3 Indoor Unit

The indoor unit is ceiling mounted, and can be easily fitted to many types of residential and commercial applications.

It includes:

- Coil with hydrophilic aluminum fins.
- Motorized flaps (two step motors)
- Advanced electronic control box assembly (DCI storm)
- Mounting plate

### 1.4 Filtration

The FWDE series presents several types of air filters:

- Easily accessible, and re-usable pre-filters (mesh)

## 1.5 Control

The microprocessor indoor controller, and an infrared remote control, supplied as standard, provide complete operating function and programming. For further details please refer to the Operation Manual.

## 1.6 Outdoor Unit

The FWDE outdoor units can be installed as floor or wall mounted units by using a wall supporting bracket. The metal sheets are protected by anti-corrosion paint work allowing long life resistance. All outdoor units are pre-charged. For further information please refer to the Product Data Sheet, Chapter 2.

It includes :

- Compressor mounted in a soundproofed compartment :
- Axial fan.
- Outdoor coil with hydrophilic louver fins for RC units.
- Outlet air fan grill.
- Service valves" flare" type connection.
- Interconnecting wiring terminal block.

## 1.7 Tubing Connections

Flare type interconnecting tubing to be produced on site.  
For further details please refer to the Installation Manual, Chapter 10.

## 1.8 Accessories

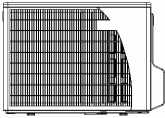
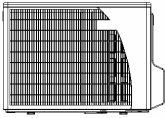
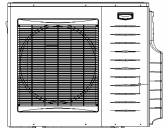
### RCW Wall Mounted Remote Control

The RCW remote control is mounted on the wall, and controls the unit either as an infrared remote control or as a wired controller. The wired controller can control up to 10 indoor units with the same program settings and adjustment.  
For further details please refer to the Technical Service Manual.

## 1.9 Inbox Documentation

Each unit is supplied with its own installation, operation and remote control manuals.

### 1.10 Matching Table

OUTDOOR UNITS	INDOOR UNITS		
	AWSI-FWDE012-N11	AWSI-FWDE018-N11	AWSI-FWDE024-N11
 <b>AWAU-YBDE009-H11</b>	✓		
 <b>AWAU-YBDE018-H11</b>		✓	
 <b>AWAU-YBDE024-H11</b>			✓

## 2. PRODUCT DATA SHEET

### 2.1 AWSI-FWDE012-N11// AWAU-YBDE012-H11

Model Indoor Unit			<b>AWSI-FWDE012-N11</b>		
Model Outdoor Unit			<b>AWAU-YBDE012-H11</b>		
Installation Method of Pipe			Flared		
<b>Characteristics</b>		<b>Units</b>	<b>Cooling</b>	<b>Heating</b>	
Capacity (4)		Btu/hr	11940(5120~15010)	-	
		kW	3.5(1.5~4.4)	-	
Pdesign(5)		kW	3.5	-	
Power input (4)		kW	0.98	-	
EER (Cooling) or COP(Heating) (4)		W/W	3.57	-	
Energy efficiency class			A	-	
SEER/Energy Label			5.3/A	-	
Power supply		V/Ph/Hz	230V/Single/50Hz		
Rated current		A	4.4	-	
Starting current		A	10.5		
Circuit breaker rating		A	16		
INDOOR	Fan type & quantity		Centrifugal x 2		
	Fan speeds		H/M/L	RPM	830/760/500
	Air flow (1)		H/M/L	m3/hr	450/400/300
	External static pressure		Min-Max	Pa	0
	Sound power level (2)		H/M/L	dB(A)	56/53/51
	Sound pressure level(3)		H/M/L	dB(A)	45/41/30
	Moisture removal			l/hr	1.5
	Condensate drain tube I.D			mm	16
	Dimensions		WxDxH	mm	820x190x630
	Weight			kg	22
	Package dimensions		WxDxH	mm	890x280x710
	Package weight			kg	26
	Units per pallet			units	14
	Units stacking			units	7 levels
OUTDOOR	Refrigerant control		EEV		
	Compressor type,model		Single Rotary,DC Inverter,Panasonic 5RS102XAB		
	Fan type & quantity		Propeller(direct) x 1		
	Fan speeds		H/L	RPM	830
	Air flow		H/L	m3/hr	1780
	Sound power level		H/L	dB(A)	62
	Sound pressure level(3)		H/L	dB(A)	52
	Dimensions		WxDxH	mm	790x290x610
	Weight			kg	38.5
	Package dimensions		WxDxH	mm	970x394x650
	Packaged weight			kg	42.5
	Units per pallet			units	12
	Stacking height			units	3 levels
	Refrigerant type				R410A
	Refrigerant charge			kg	1.2
Additional charge per 1 meter			g/m	No Need	
Connections between units	Liquid line		In.(mm)	1/4"(6.35)	
	Suction line		In.(mm)	3/8"(9.53)	
	Max.tubing length		m.	Max.20	
	Max.height difference		m.	Max.10	
Operation control type			Remote control		
Heating elements (Option)			kW		
Others					

- (1)Airflow in ducted units;at nominal external static pressure.  
(2)Sound power in ducted units is measured at air discharge.  
(3)Sound pressure level measured at 1-meter distance from unit.  
(4)Rating conditions in accordance to ISO 5151 and ISO 13253 (for ducted units).  
(5)According to EN14825-2012

**2.2 AWSI-FWDE018-N11// AWAU-YBDE018-H11**

Model Indoor Unit		<b>AWSI-FWDE018-N11</b>		
Model Outdoor Unit		<b>AWAU-YBDE018-H11</b>		
Installation Method of Pipe		Flared		
<b>Characteristics</b>	<b>Units</b>	<b>Cooling</b>	<b>Heating</b>	
Capacity (4)	Btu/hr	17000(5120~19790)	-	
	kW	5.0(1.5~5.8)	-	
Pdesign(5)	kW	5.0	-	
Power input (4)	kW	1.51	-	
EER (Cooling) or COP(Heating) (4)	W/W	3.31	-	
Energy efficiency class		A	-	
SEER/Energy Label		5.1/A	-	
Power supply	V/Ph/Hz	230V/Single/50Hz		
Rated current	A	7.2	-	
Starting current	A	10.5		
Circuit breaker rating	A	20		
INDOOR	Fan type & quantity		Centrifugal x 2	
	Fan speeds	H/M/L	RPM	1050/950/700
	Air flow (1)	H/M/L	m3/hr	870/750/600
	External static pressure	Min-Max	Pa	0
	Sound power level (2)	H/M/L	dB(A)	65/60/56
	Sound pressure level(3)	H/M/L	dB(A)	51/48/40
	Moisture removal		l/hr	2
	Condensate drain tube I.D		mm	16
	Dimensions	WxDxH	mm	1200x190x630
	Weight		kg	30
	Package dimensions	WxDxH	mm	1300x273x726
	Package weight		kg	35
	Units per pallet		units	7
	Units stacking		units	7 levels
	OUTDOOR	Refrigerant control		EEV
Compressor type,model		Single Rotary,DC Inverter,Panasonic 5RS132ZAD21		
Fan type & quantity		Propeller(direct) x 1		
Fan speeds		H/L	RPM	920
Air flow		H/L	m3/hr	2160
Sound power level		H/L	dB(A)	63
Sound pressure level(3)		H/L	dB(A)	53
Dimensions		WxDxH	mm	795x290x610
Weight			kg	38
Package dimensions		WxDxH	mm	970x395x650
Packaged weight			kg	41
Units per pallet			Units	9
Stacking height			units	3 levels
Refrigerant type				R410A
Refrigerant chargeE			kg	1.26kg
Additional charge per 1 meter		g/m	No Need	
Connections between units	Liquid line	In.(mm)	1/4"(6.35)	
	Suction line	In.(mm)	1/2"(12.7)	
	Max.tubing length	m.	Max.20	
	Max.height difference	m.	Max.10	
Operation control type		Remote control		
Heating elements (Option)		kW		
Others				

- (1)Airflow in ducted units;at nominal external static pressure.
- (2)Sound power in ducted units is measured at air discharge.
- (3)Sound pressure level measured at 1-meter distance from unit.
- (4)Rating conditions in accordance to ISO 5151 and ISO 13253 (for ducted units).
- (5)According to EN14825-2012



**2.3 AWSI-FWDE024-N11 // AWAU-YBDE024-H11**

Model Indoor Unit		<b>AWSI-FWDE024-N11</b>		
Model Outdoor Unit		<b>AWAU-YBDE024-H11</b>		
Installation Method of Pipe		Flared		
<b>Characteristics</b>	<b>Units</b>	<b>Cooling</b>	<b>Heating</b>	
Capacity (4)	Btu/hr	23200(5120~25930)	-	
	kW	6.80(1.50~7.60)	-	
Pdesign(5)	kW	6.8	-	
Power input (4)	kW	2.25	-	
EER (Cooling) or COP(Heating) (4)	W/W	3.02	-	
Energy efficiency class		B	-	
SEER/Energy Label		5.1/A	-	
Power supply	V/Ph/Hz	230V/Single/50Hz		
Rated current	A	10	-	
Starting current	A	15		
Circuit breaker rating	A	25		
INDOOR	Fan type & quantity		Centrifugal x2	
	Fan speeds	H/M/L	RPM	1300/1200/1050
	Air flow (1)	H/M/L	m3/hr	1020/950/800
	External static pressure	Min-Max	Pa	0
	Sound power level (2)	H/M/L	dB(A)	66/64/60
	Sound pressure level(3)	H/M/L	dB(A)	54/51/46
	Moisture removal		l/hr	2.5
	Condensate drain tube I.D		mm	16
	Dimensions	WxDxH	mm	1200x190x630
	Weight		kg	32
	Package dimensions	WxDxH	mm	1300x273x726
	Package weight		kg	36
	Units per pallet		units	7
	Units stacking		units	7 levels
	OUTDOOR	Refrigerant control		EEV
Compressor type,model		Two Rotary, C-7RZ233H1A		
Fan type & quantity		Propeller(direct) x 1		
Fan speeds		H/L	RPM	850
Air flow		H/L	m3/hr	3600
Sound power level		H/L	dB(A)	69
Sound pressure level(3)		H/L	dB(A)	59
Dimensions		WxDxH	mm	950x340x864
Weight			kg	65.5
Package dimensions		WxDxH	mm	1140x510x930
Packaged weight			kg	73
Units per pallet			Units	4
Stacking height			units	2 levels
Refrigerant type				R410A
Refrigerant charge			kg	2.3
Additional charge per 1 meter		g/m	Length≤20m:+0g; 20m<Length≤30m:+300g	
Connections between units	Liquid line	In.(mm)	3/8"(9.53)	
	Suction line	In.(mm)	5/8"(15.88)	
	Max.tubing length	m.	Max.30	
	Max.height difference	m.	Max.15	
Operation control type			Remote control	
Heating elements (Option)		kW		
Others				

- (1)Airflow in ducted units;at nominal external static pressure.  
(2)Sound power in ducted units is measured at air discharge.  
(3)Sound pressure level measured at 1-meter distance from unit.  
(4)Rating conditions in accordance to ISO 5151 and ISO 13253 (for ducted units).  
(5)According to EN14825-2012



**3. OUTLINE DIMENSIONS**

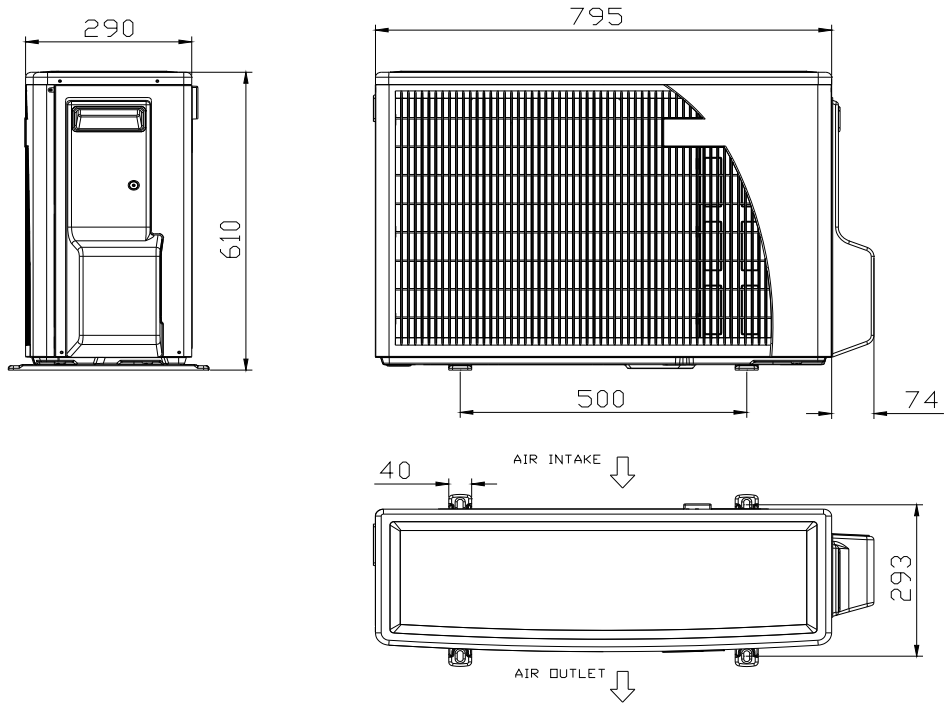
**3.1 FWDE012**



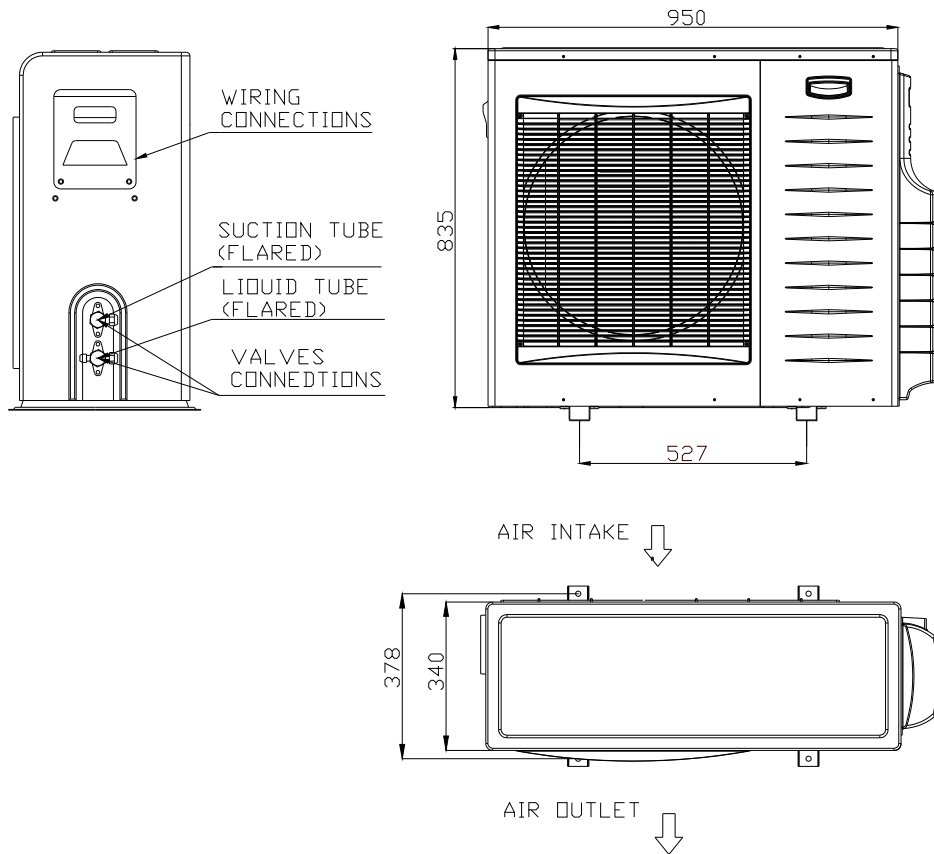
**3.2 FWDE018/024**



**3.3 Outdoor Unit: YBDE 012/018**

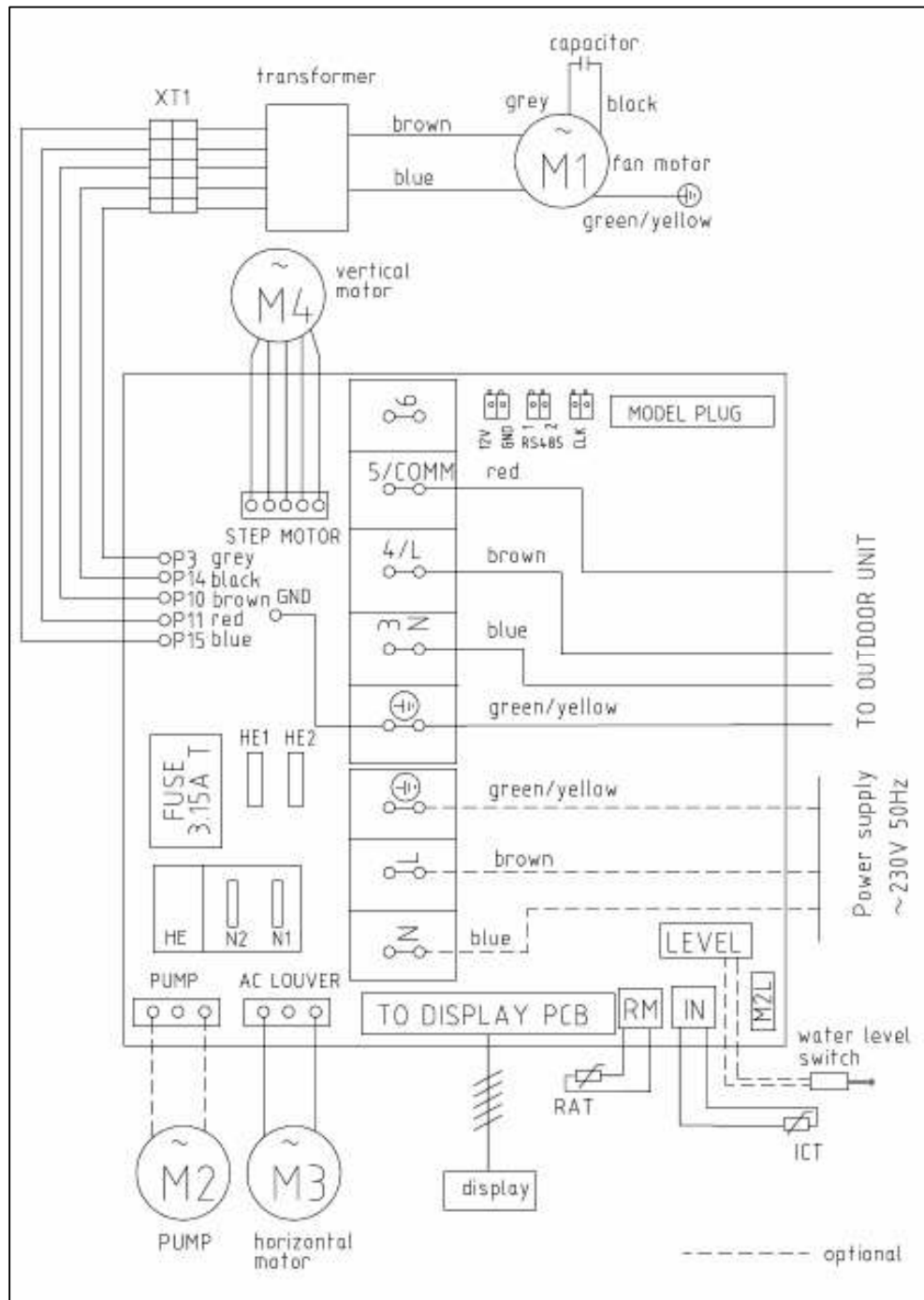


**3.4 Outdoor Unit: YBD 024**

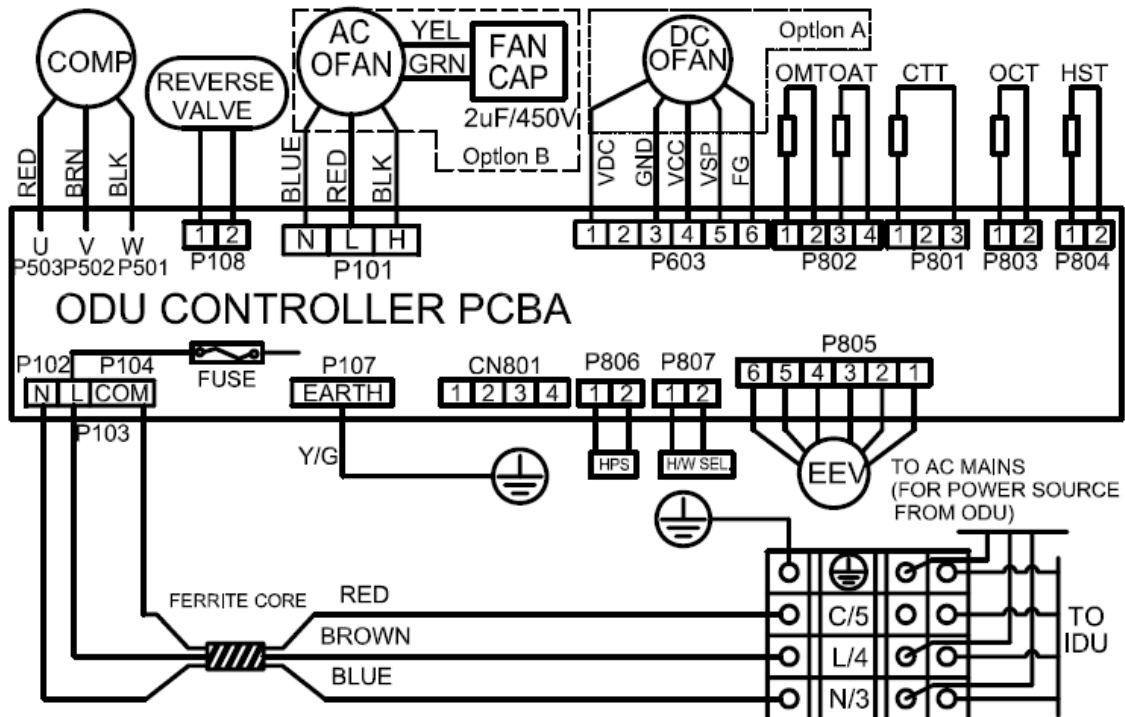


## 4. WIRING DIAGRAMS

### 4.1 Indoor Unit: FWDE012/018



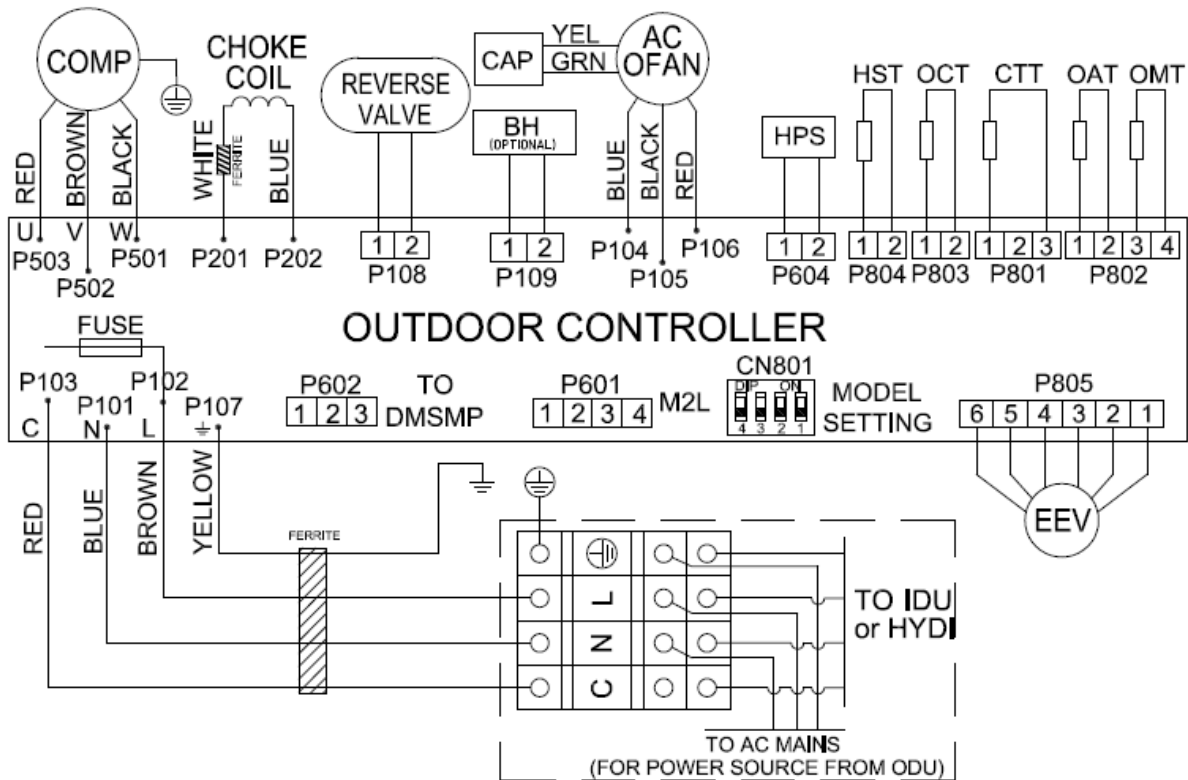
4.2 Outdoor Unit: YBDE012



NOTE: WIRING SCHEME WITHIN DASHED LINE BORDER IS OPTION FOR DC OUTDOOR FAN APPLICATION ONLY.

- Option A: DCI 1.8
- - - - - Option B: DCR 1.6

### 4.3 Outdoor Unit: YBDE018

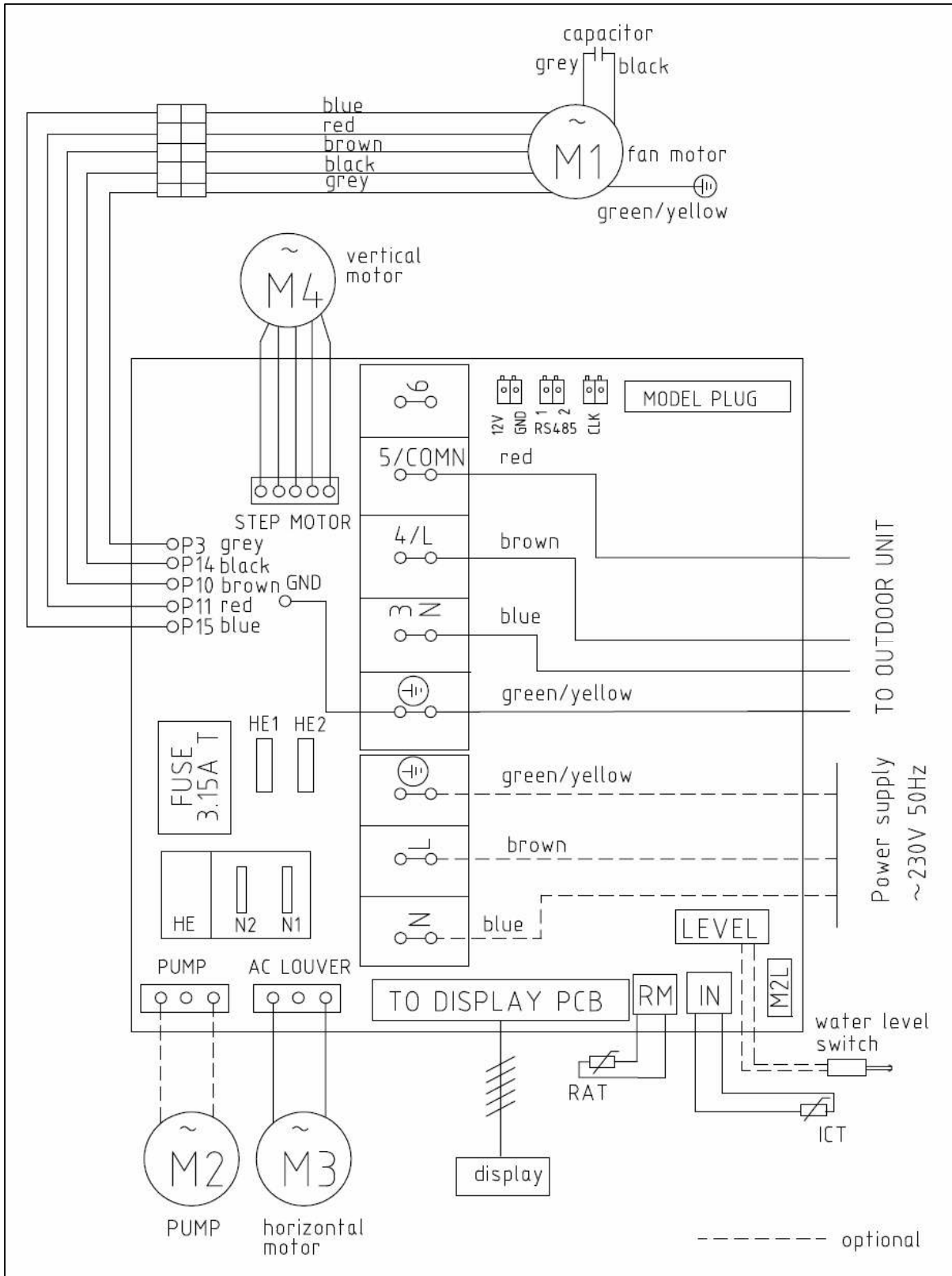


NOTE: WIRING SCHEME WITHIN DASHED LINE BORDERS ARE RELEVANT FOR SINGLE SPLIT APPLICATIONS ONLY, FOR HYDI BOARD WIRING REFER TO HYDI BOARD WIRING DIAGRAM.

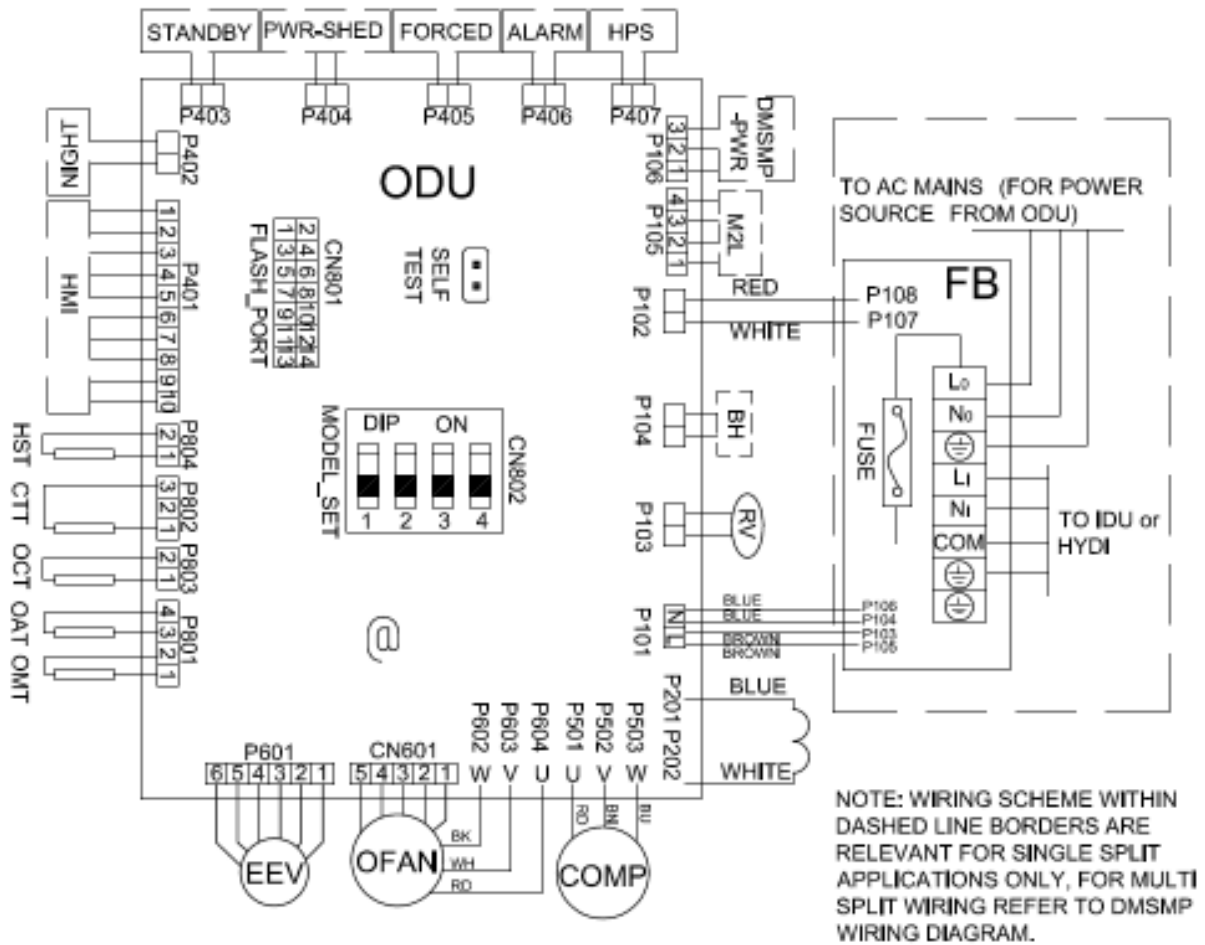




### 4.4 Indoor Unit: FWDE024

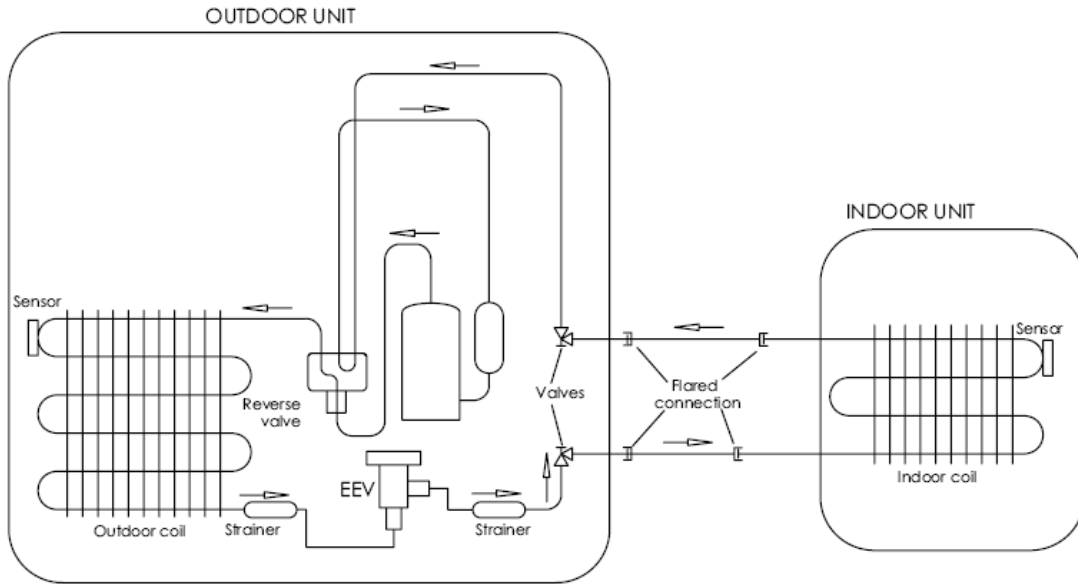


4.5 Outdoor Unit: YBDE024

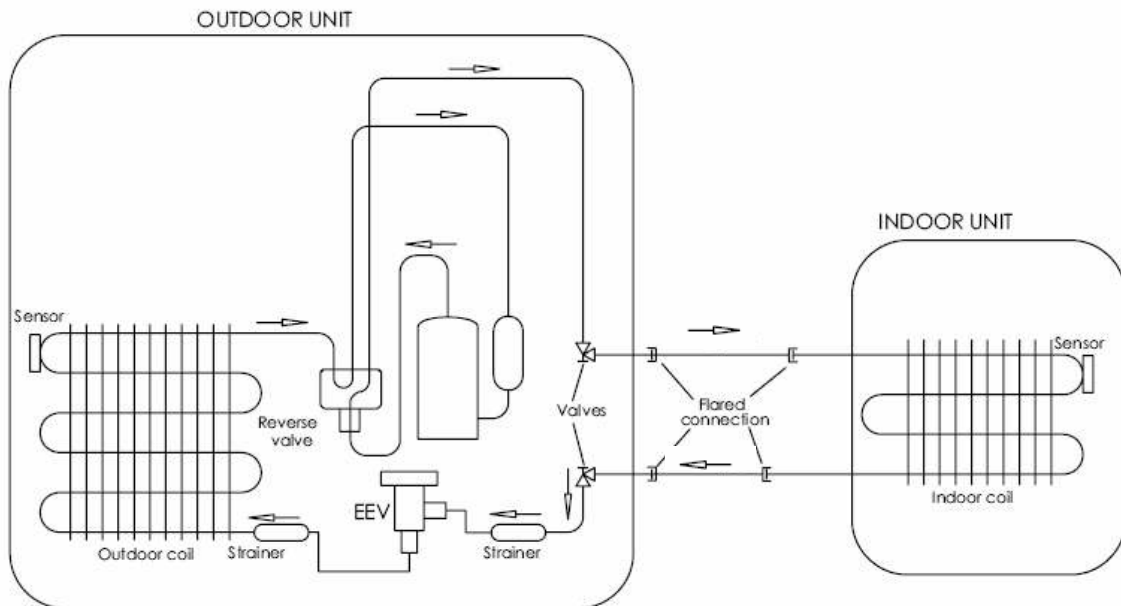


## 5. REFRIGERATION DIAGRAMS

### 5.1 Cooling Mode



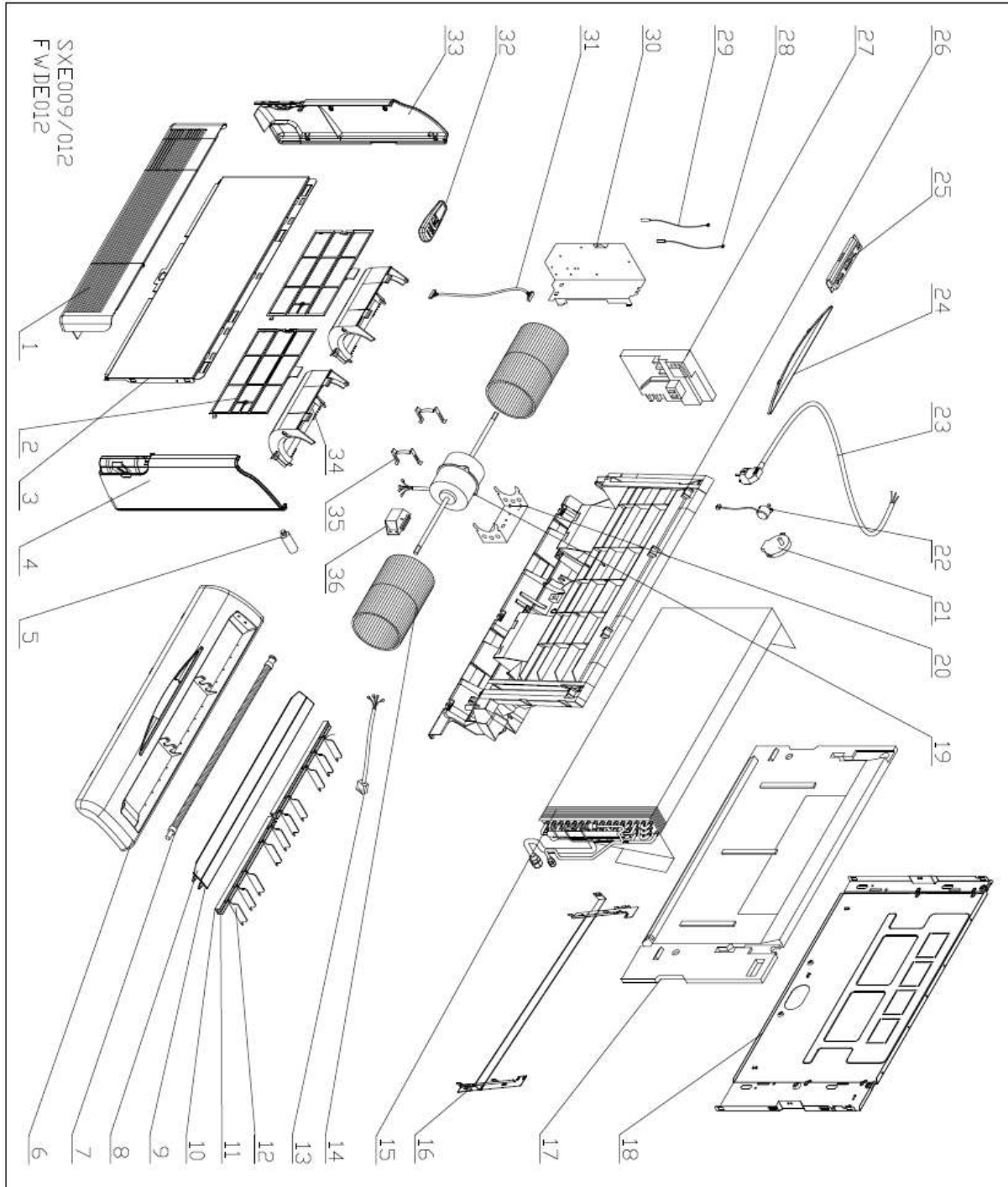
### 5.2 Heating Mode





**6. EXPLODED VIEWS AND SPARE PART LISTS**

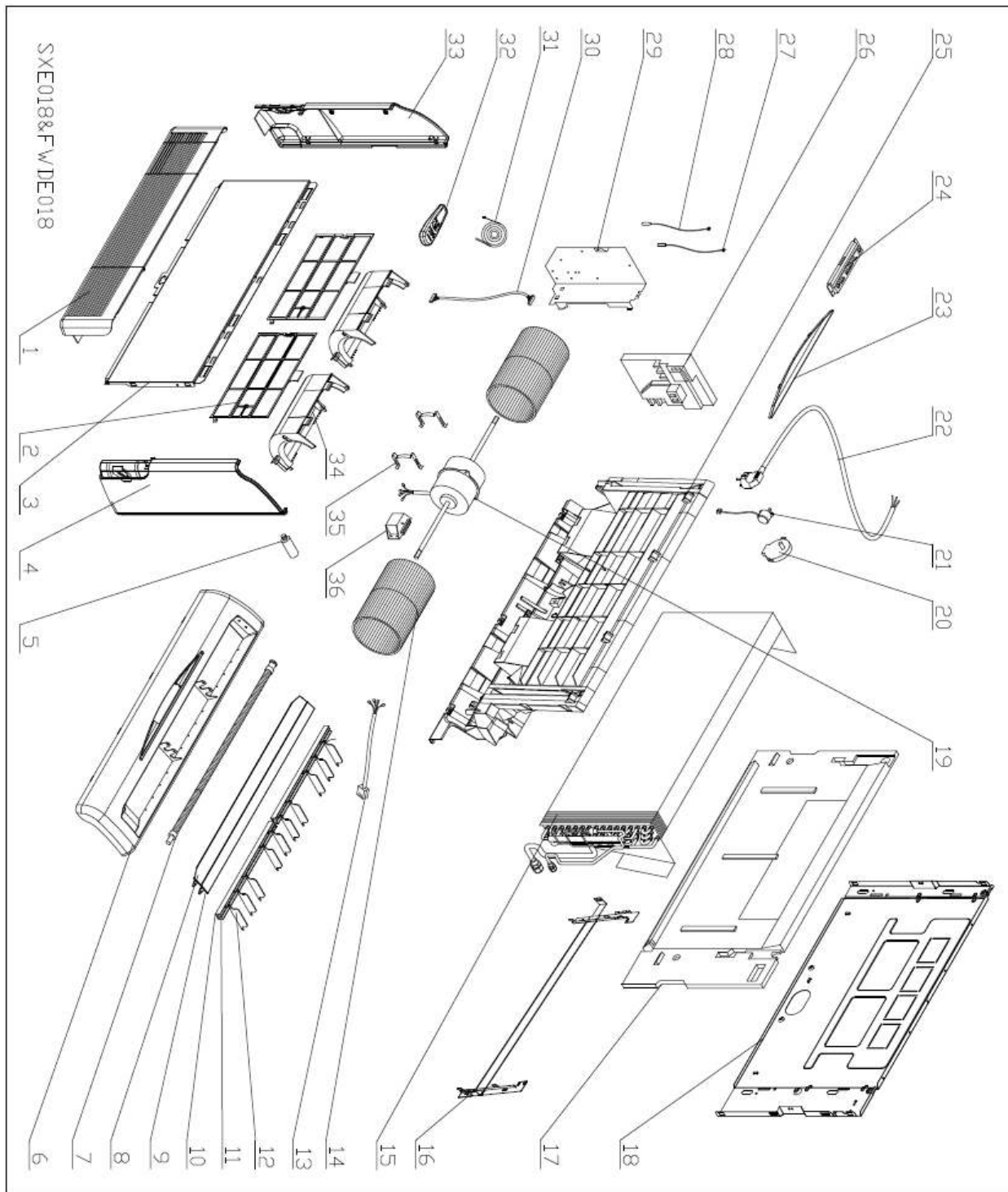
**6.1 Exploded view of Indoor unit: FWDE012**



## 6.2 Spare part list of Indoor Unit: FWDE012

Item	PN	Description	Qty
1	465800145	Air Intake Grille Assy. (Small)/RAL9003AW	1
2	221555	FILTER (SMALL)	2
3	464040018P4	Front Panel/RAL9003AW/AWSI-SXE009/12-N11/PXD	1
4	465060004	Side Plate / Left /RAL9003AW	1
5	455000600	Capacitor With Screw for fan motor 1uF (CBB65D)	1
6	465120035	Air Outlet Frame (Small)/RAL9003AW	1
7	285032	DRAIN TUBE	1
8	465160055	Horizontal Flap/Front (Small)/RAL9003AW	1
9	465160056	Horizontal Flap/Black (Small)/RAL9003AW	1
10	465340138	Cover/Linkage/RAL9003AW	2
11	465160058	Linkage/ Vertical Flap/RAL9003AW	2
12	465160057	Vertical Flap/RAL9003AW	10
13	4525333	HPI PXD 9/12 Motor connective wire	1
14	293321	CENTRIFUGAL FAN (SMALL)	2
15	462350111	Evaporator assy./PXD(Wine Cellar) 35 DCI	1
16	466235	MOUNTED BRCKET ASSY. (SMALL)	1
17	382334	BASE EPS (SMALL)	1
18	307979	BACK PANEL (SMALL)	1
19	4520158R	MOTOR PXD 9-12-15	1
20	323425	MOTOR SUPPORT LENGTH 99	1
21	263034	SWING MOTOR	1
22	436665	STEP MOTOR	1
23	455013705R	Power Cord Without Plug/3G/1.5/2100	1
24	465720811	Panel Assy./PXD(Wine Cellar)Display/Airwell	1
25	467300306R	Display Board / PXD Wine cellar display	1
26	373247	FAN FRAME (SMALL)	1
27	452935900R	INDOOR STORM DC INVERTER CONTROLLER (ENGLISH) 916A521-01	1
28	467400053	ICT Indoor Coil Temperature (RT2) sensor/10K	1
29	467400025	Indoor Air Inlet Temperature Sensor 650mm	1
30	311036	STORM METAL PANEL	1
31	391508	CABLE DISPLAY	1
32	467240052	Remote Controller Assy. with Batteries. for Export RC08	1
33	465060005	Side Plate / Right /RAL9003AW	1
34	372341	FAN COVER (SMALL)	2
35	324296	MOTOR SPRING CLIP	2
36	452987400	Auto-transformer	1

### 6.3 Exploded view of Indoor unit: FWDE018



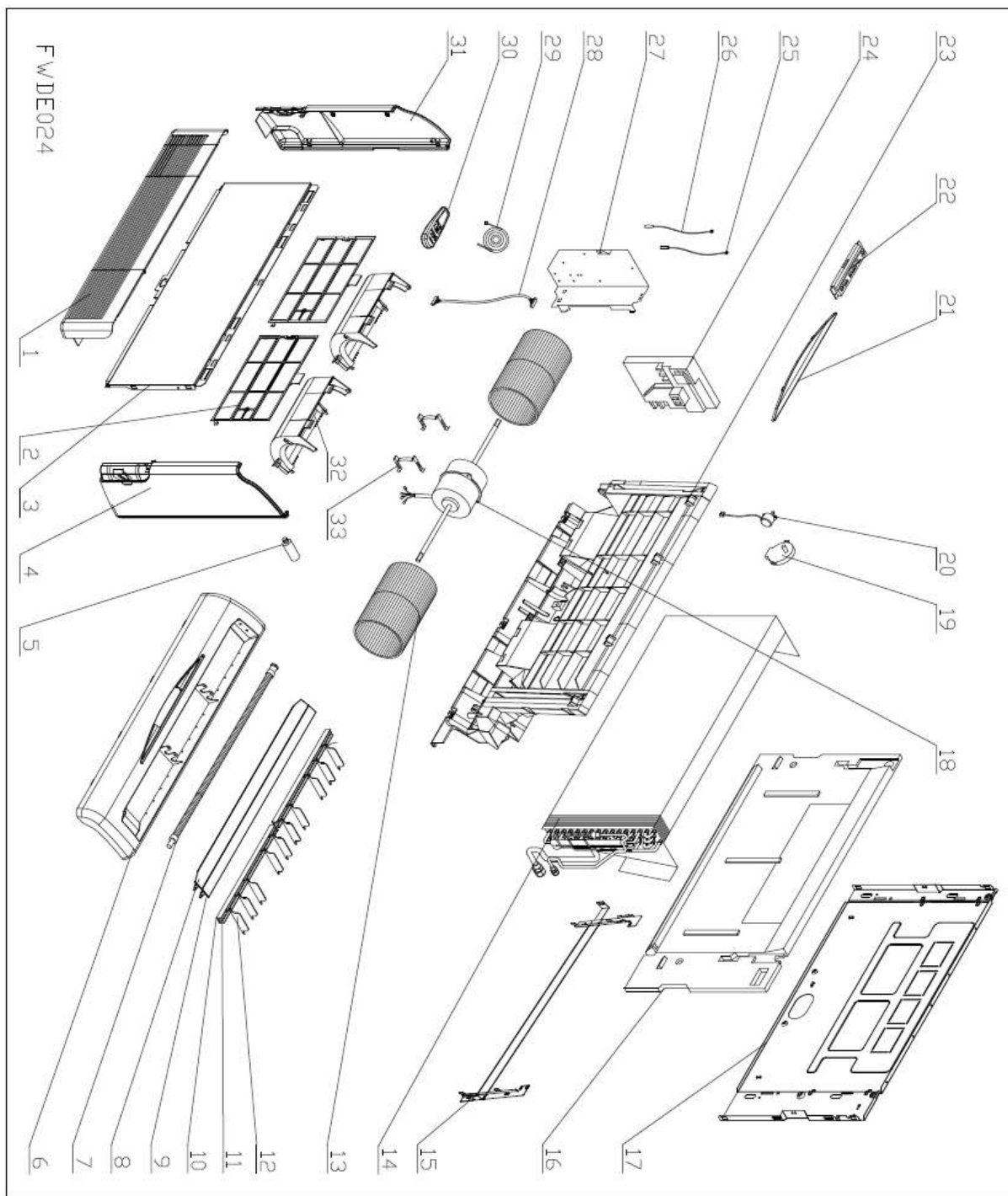


**6.4 Spare part list of Indoor Unit: FWDE018**

Item	PN	Description	Qty
1	465800148	Air Intake Grille Assy. (Big)/RAL9003AW	1
2	221554	FILTER PXD (BIG)	2
3	465020284P4	Front Panel/RAL9003AW/AWSI-SXE018/24-N11/PXD	1
4	465060004	Side Plate / Left /RAL9003AW	1
5	455000604	Capacitor With Screw 1.5uF (CBB65D)	1
6	465120036	Air Outlet Frame (Big)/RAL9003AW	1
7	285032	DRAIN TUBE	1
8	465160059	Horizontal Louver/Front (Big)/RAL9003AW	1
9	465160060	Horizontal Flap/Black (Big)/RAL9003AW	1
10	465340138	Cover/Linkage/RAL9003AW	3
11	465160058	Linkage/ Veritcal Flap/RAL9003AW	3
12	465160057	Vertical Flap/RAL9003AW	16
13	4525333	HPI PXD 9/12 Motor connective wire	1
14	293322	CENTRIFUGAL FAN (BIG)	2
15	462350112	Evaporator assy./PXD 50 DCI	1
16	466236	MOUNTED BRCKET ASSY. (BIG)	1
17	382333	BASE EPS (BIG)	1
18	307980	BACK PANEL (BIG)	1
19	4520931R	Motor Assy. for PXD24-28	1
20	263034	SWING MOTOR	1
21	436665	STEP MOTOR	1
22	455013707R	Power Cord Without Plug/3G/2.5/2100	1
23	465720811	Panel Assy./PXD(Wine Cellar)Display/Airwell	1
24	467300306R	Display Board / PXD Wine cellar display	1
25	373246	FAN FRAME (BIG)	1
26	452935900R	INDOOR STORM DC INVERTER CONTROLLER(ENGLISH)916A521-01	1
27	467400053	ICT Indoor Coil Temperature (RT2) sensor/10K	1
28	467400025	Indoor Air Inlet Temperature Sensor 650mm	1
29	311036	STORM METAL PANEL	1
30	391508	CABLE DISPLAY	1
31	4520904	MAGNET PART	2
32	467240052	Remote Controller Assy. with Batteries.for Export RC08	1
33	465060005	Side Plate / Right /RAL9003AW	1
34	372340	FAN COVER (BIG)	2
35	324296	MOTOR SPRING CLIP	2
36	453206900	Transformer	1



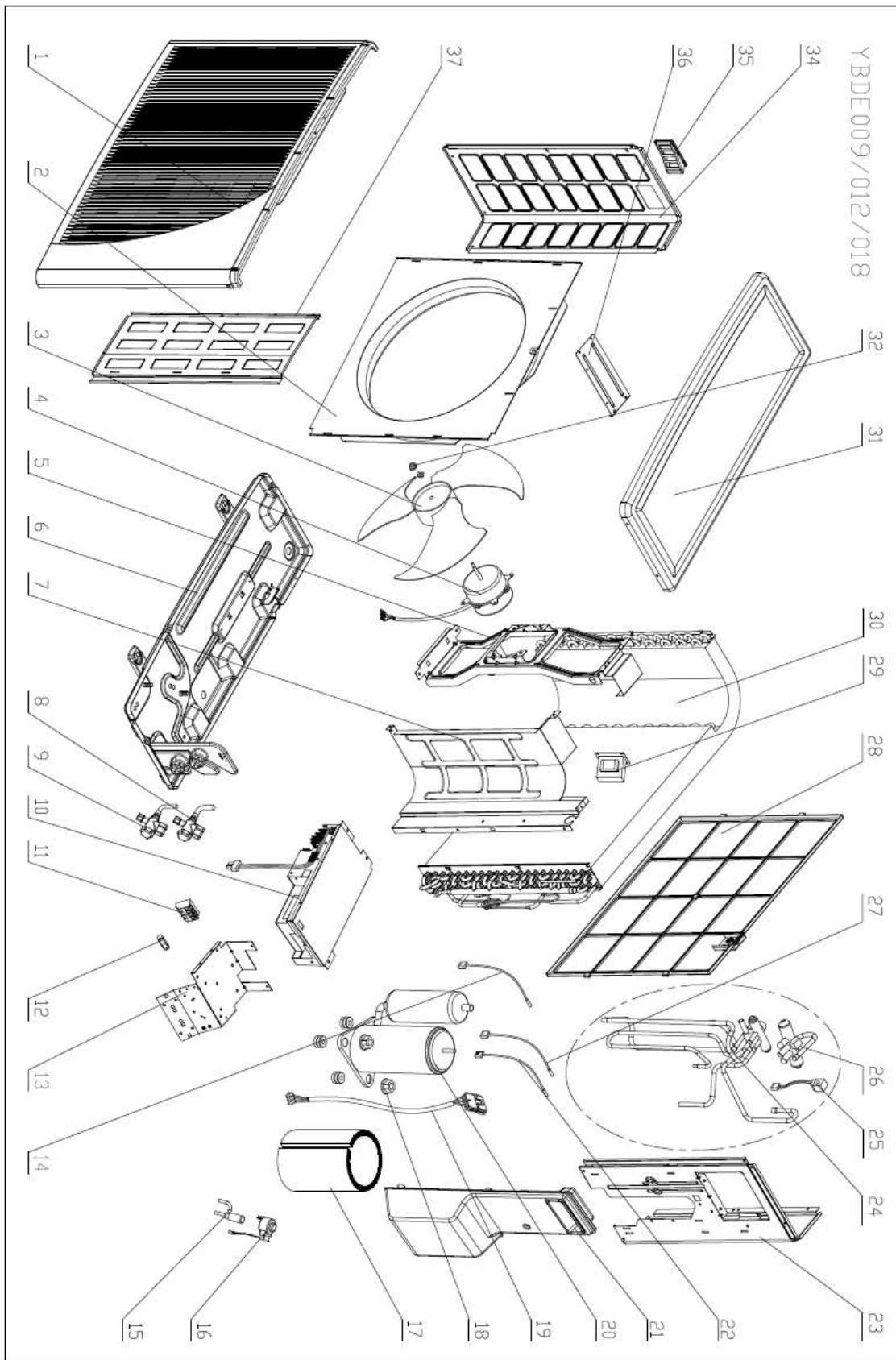
### 6.5 Exploded view of Indoor unit: FWDE024



## 6.6 Spare part list of Indoor Unit: FWDE024

Item	PN	Description	Qty
1	465800148	Air Intake Grille Assy.(Big)/RAL9003AW	1
2	221554	FILTER PXD (BIG)	2
3	465020284P4	Front Panel/RAL9003AW/AWSI-SXE018/24-N11/PXD	1
4	465060004	Side Plate / Left /RAL9003AW	1
5	455000604	Capacitor With Screw 1.5uF (CBB65D)	1
6	465120036	Air Outlet Frame (Big)/RAL9003AW	1
7	285032	DRAIN TUBE	1
8	465160059	Horizontal Louver/Front (Big)/RAL9003AW	1
9	465160060	Horizontal Flap/Black (Big)/RAL9003AW	1
10	465340138	Cover/Linkage/RAL9003AW	3
11	465160058	Linkage/ Veritcal Flap/RAL9003AW	3
12	465160057	Vertical Flap/RAL9003AW	16
13	293322	CENTRIFUGAL FAN (BIG)	2
14	462350113	Evaporatorassy./PXD 72 DCI	1
15	466236	MOUNTED BRCKET ASSY.(BIG)	1
16	382333	BASE EPS (BIG)	1
17	307980	BACK PANEL (BIG)	1
18	466100005R	Metal Motor Assy./ PXD DCI	1
19	263034	SWING MOTOR	1
20	436665	STEP MOTOR	1
21	465720811	Panel Assy./PXD(Wine Cellar)Display/Airwell	1
22	467300306R	Display Board / PXD Wine cellar display	1
23	373246	FAN FRAME (BIG)	1
24	452935900R	INDOOR STORM DC INVERTER CONTROLLER	1
25	467400053	ICT Indoor Coil Temperature (RT2) sensor/10K	1
26	467400025	Indoor Air Inlet Temperature Sensor 650mm	1
27	311036	STORM METAL PANEL	1
28	391508	CABLE DISPLAY	1
29	4520904	MAGNET PART	2
30	467240052	Remote Controller Assy. with Batteries.for Export RC08	1
31	465060005	Side Plate / Right /RAL9003AW	1
32	372340	FAN COVER (BIG)	2
33	324296	MOTOR SPRING CLIP	2

6.7 Exploded view of outdoor unit: YBDE012

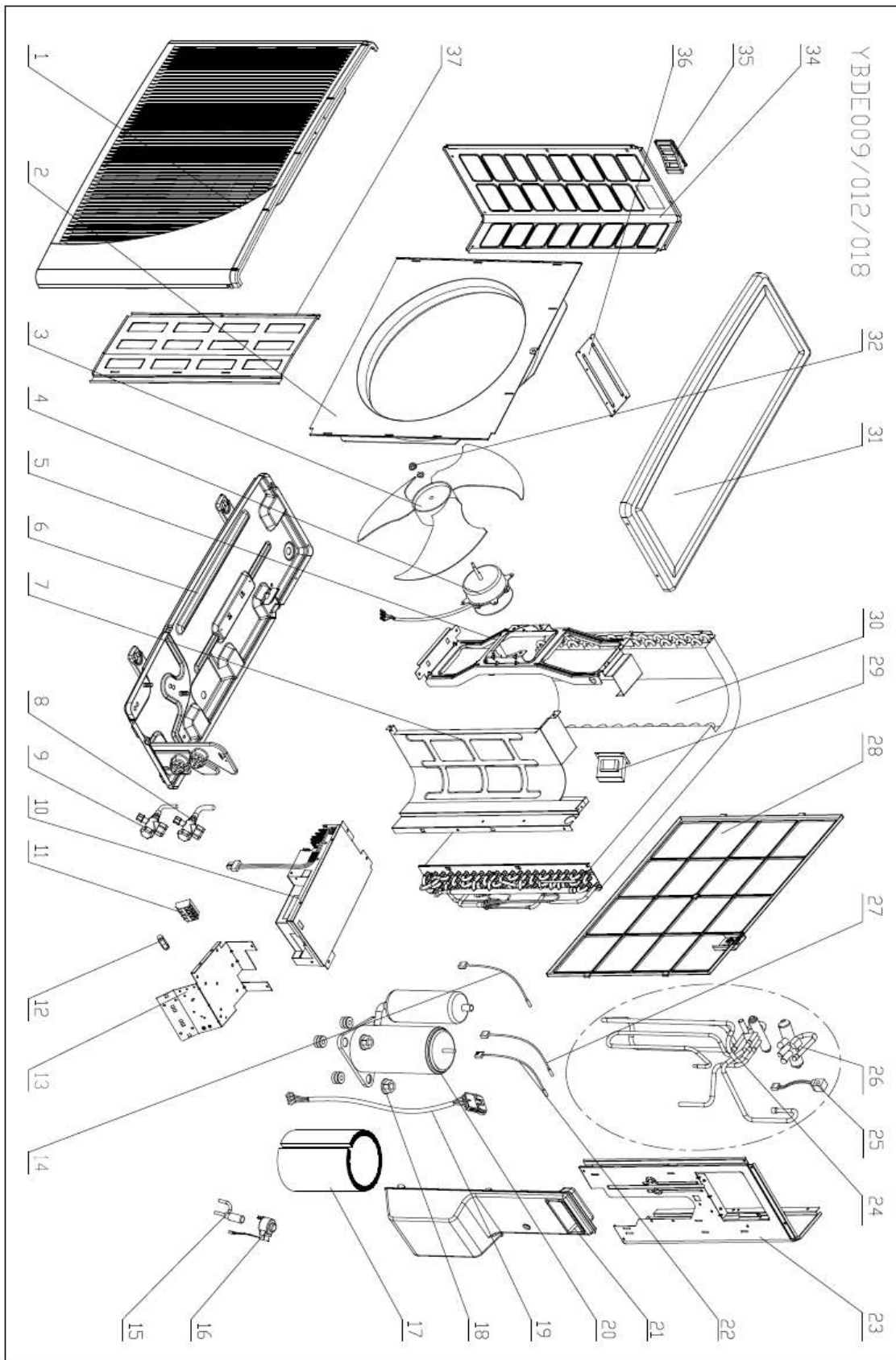


**6.8 Spare part list of Outdoor Unit: YBDE012**

Item	PN	Description	Qty
1	433218	Front Panel A	1
2	4526340	Air inlet ring-420	1
3	4526476	Axial fan OD=401	1
4	4527092R	DC MOTOR for DCI 25/35	1
5	433215	Motor Support	1
6	4523059P1	Painting Base Assy.	1
7	452808800	Partition Assy.	1
8	461010004	Gas Valve 3/8" R410A	1
9	461000004	Liquid Valve 1/4" R410A)	1
10	467300365R	Controller/DCI 1.8KW (SCM1243MF) BD	1
11	4519188	4 poles terminal block	1
12	204107	Cable clip Nylon	1
13	453012700	Electric Panel	1
14	467400200	CTT Compressor Top Temperature Sensor/10K/Resin-capsulation	1
15	4526827	Electronical expansion valve CAM-BD15 FKS-1	1
16	452682802	EEV coil CAM-MD12FKS-2 (White connector, 530mm)	1
17	469120004	Insulation 2 Felt+PVC/ Compressor DCI 25 35	1
18	4510677	Nut With Flange M8 -D=24 GB6187-86	1
19	4526221	Compressor wire	1
20	4526204	DC INVERTER Compressor Assy 5RS102XAB	1
21	465340080	Valve Cover/PP+UV 5VA/ONG3	1
22	467400056	OCT Outdoor Coil Temperature Sensor/10K	1
23	433226P1	Right side panel /painting plate/DCI 25/35/ONG3	1
24	461600131	4-Way Valve Assy./DCI 25/35/ONG3	1
25	461030008	4-W valve coil /SHF(L)-4H/7H	1
26	461020006	4-W valve /DSF-4-R410A	1
27	467400040	Condenser Middle Temperature Sensor/OAT & OMT/DCR LC 25/35	1
28	433228	Back Side Net	1
29	467550014R	Choke/9A/3mH/DCR 1.6KW	1
30	4526368	Condensor Soldering assy	1
31	433231P1	Painting Top Cover/DCI 25/35/ONG3	1
32	4519300	Nut M5 L	1
33	433224P1	Left Side Panel/Painting Plate/DCI 25/35/ONG3	1
34	433225	Handle	1
35	4526298	Bridge	1
36	433223P5	Painting Insulation Plate	1



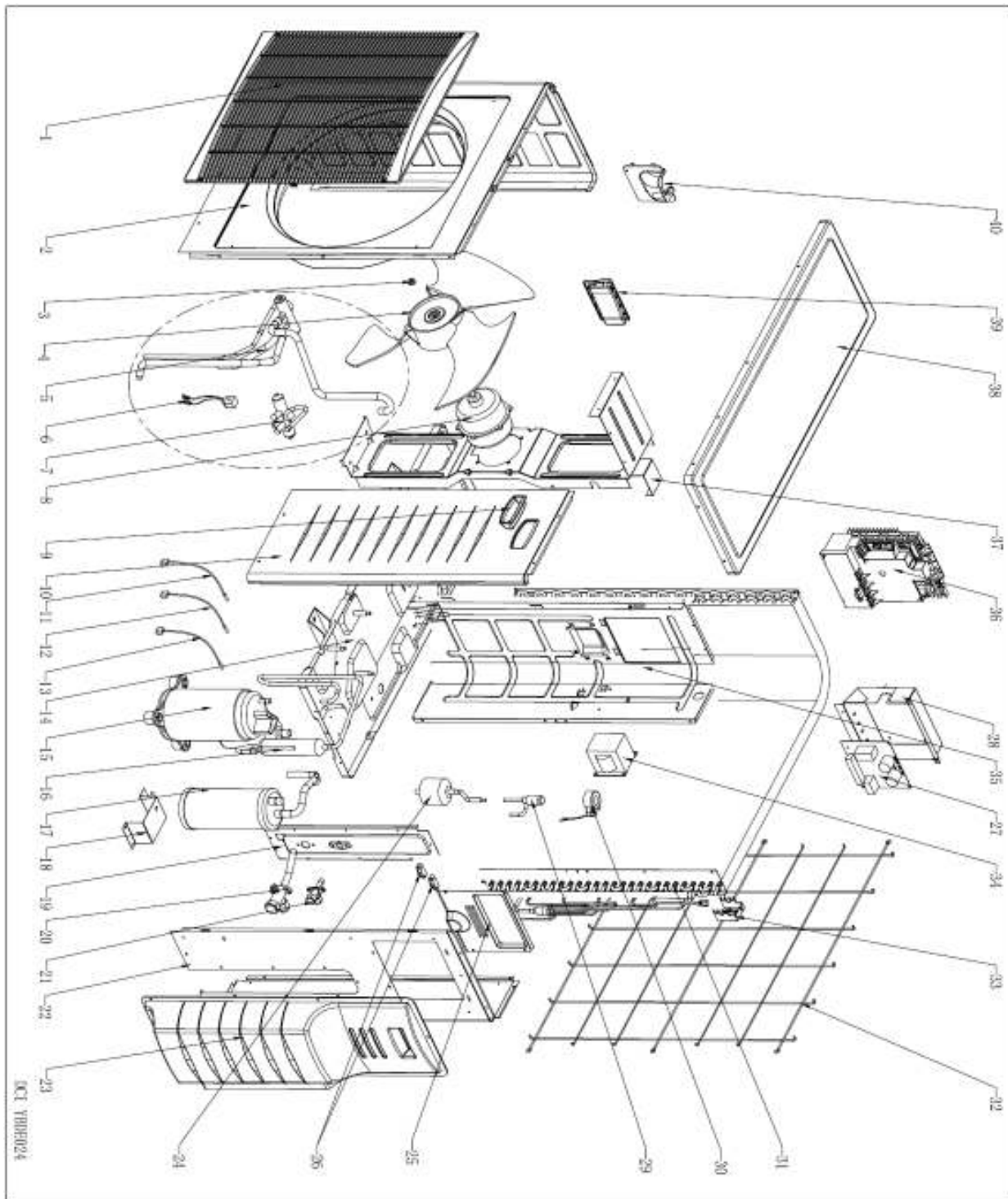
### 6.9 Exploded view of outdoor unit: YBDE018



**6.10 Spare part list of Outdoor Unit: YBDE018**

Item	PN	Description	Qty
1	433218	Front Panel A	1
2	4526340	Air inlet ring-420	1
3	4519251	Axial Fan OD=400	1
4	466100034R	Metal Motor /DCR 50 Z	1
5	4527203	Motor Support	1
6	464000032P1	Base Painting Assy. /ONG3/DCI 50 R410A	1
7	464730012	Partition Plate Assy./DCR 50 Z	1
8	461010005	Gas Valve 1/2" R410A	1
9	461000004	Liquid Valve 1/4" R410A)	1
10	467300355R	Controller/DCRS 2.8KW Sine Wave (PS21997) Main BD	1
11	467420025	4 Poles Terminal Block	1
12	204107	Cable clip Nylon	1
13	452823600	Terminal Plate Assy.	1
14	467400200	CTT Compressor Top Temperature Sensor/10K/Resin-capsulation	1
15	461040013	Electronic Expansion Valve DPF(Q)1.65C-63	1
16	461050014	EEV Coil QA(Q)12-HX-03	1
17	469120013	Insulation Felt+PVC/Compressor Panasonic 5RS132	1
18	4510677	Nut With Flange M8 -D=24 GB6187-86	1
19	467000001	Compressor Power Cord/DCR CR 25/35	1
20	460150020R	Compressor Assy./ Panasonic 5RS132ZAD21	1
21	465340080	Valve Cover/PP+UV 5VA/ONG3	1
22	467400056	OCT Outdoor Coil Temperature Sensor/10K	1
23	433226P1	Right side panel /painting plate/DCI 25/35/ONG3	1
24	461600079	4-Way Valve Welding Assy./DCR 50 Z	1
25	461020004	4-W valve /SHF(L)-7H-34U	1
26	461020006	4-W valve /DSF-4-R410A	1
27	467400040	Condenser Middle Temperature Sensor/OAT & OMT/DCR LC 25/35	1
28	433228	Back Side Net	1
29	467550005R	Choke/ DCR 50 Z	1
30	462300127	Condenser Welding Assy./YBD 018	1
31	433231P1	Painting Top Cover/DCI 25/35/ONG3	1
32	4519300	Nut M5 L	1
33	433224P1	Left Side Panel/Painting Plate/DCI 25/35/ONG3	1
34	433225	Handle	1
35	4526298	Bridge	1
36	433223P5	Painting Insulation Plate	1

6.11 Exploded view of outdoor unit: YBDE024



**6.12 Spare part list of Outdoor Unit: YBDE024**

Item	PN	Description	Qty
1	465100000	Grill/ DCI Trio	1
2	4522593P1	Left front plate/Painting/YBD 024	1
3	4523758	Nut M8 left	1
4	452960400	Outdoor Axial Fan OD=493	1
5	461600055	4-Way Valve Assy./ DCI 80 CR	1
6	461030003	4-Way valve coil/DCI 80 CR	1
7	4526522	FOUR-WAY VALVE (English) R410A	1
8	466110008R	DC Resin Motor(SIC-71FW-F170-1A)/DCI 80 CR	1
9	4522601	Right Handle	1
10	4522594P1	Right front plate/Painting/YBD 024	1
11	467400200	CTT Compressor Top Temperature Sensor/10K	1
12	467400040	Condenser Middle Temperature Sensor/OAT & OMT	1
13	467400038	ODU COIL MIDDLE TEMPERATURE SENSOR/CMV/VRF	1
14	452809800P1	Base Painting Assy. /YBD 024	1
15	460090007R	Compressor Assy./ C-7RZ233H1A (SANYO ShenYang)	1
16	452783600	Oil Separator Assy.	1
17	452783200	Liquid-gas Separator	1
18	452803100P1	Support Painting Support Assy./Gas-Liquid Separator	1
19	4526081P1	Valve plate paint assy./YBD 024	1
20	4526513	LOW PRESS VALVE (R410A)	1
21	4526514	High press valve(R410A)	1
22	464080007P1	Right-Rear Plate/Painting/YBD 024	1
23	465340082	Valve Cover/PP+UV 5VA/GC 30	1
24	4518950	Filter Drier BFK-053S	1
25	464250093	Protecting Plate /controller /DCI 80 CR	1
26	204107	Cable clip Nylon	1
27	467300185R	Filter Board / DCI 80 CR	1
28	464280003	Terminal Plate/ DCI 80 CR	1
29	461040013	Electronic Expansion Valve DPF(Q)1.65C-63	1
30	461050014	EEV Coil QA(Q)12-HX-03	1
31	462300105	Condenser Assy. /DCI80Z R410A	1
32	453174200P1	Guard Net Painting Assy./YBD 024	1
33	453083800	Support/OAT	1
34	467550002R	Choke / DCI 80 CR	1
35	464160023	Partition Plate/DCI 80 CR	1
36	467300184R	Controller / DCI 80 CR OUTDOOR BOX ASSY	1
37	464200026	Motor Support/TRIO DCI/VIESSMANN	1
38	4522597P1	PAINTED TOP COVER ASSY	1
39	4522600	Left Handle	1
40	465120013	Air Outlet Cover/DCI 80 CR R410a	1