



Zoneline® AIR CONDITIONER

SAFETY INFORMATION3

USING THE ZONELINE

Controls6

Air Direction7

To Remove the Room Cover7

Ventilation Control.....7

Auxiliary Controls.....8

Remote Thermostat.....12

Makeup Air13

CARE AND CLEANING

Base Pan14

Outdoor Coils14

Room Cover and Case.....14

Ventilation Filter.....15

Air Filters.....15

INSTALLATION INSTRUCTIONS

Preparation16

Replacing an Existing Unit17

Electrical Connection.....18

Installing the Zoneline.....21

Optional Drain Kit23

TROUBLESHOOTING TIPS..... 24

Normal Operating Sounds 26

CONSUMER SUPPORT

Ownership Registration.....27

Warranty31

Consumer Support.....32

OWNER'S MANUAL

AZ45
AZ65

ESPAÑOL

For a Spanish version of this manual, visit our Website at www.zoneline.com.

Para consultar una version en español de este manual de instrucciones, visite nuestro sitio de internet www.zoneline.com.

FRANÇAIS

For a French version of this manual, visit our Website at www.zoneline.com.

Pour un version français de ce manuel d'utilisation, veuillez visiter notre site web à l'adresse www.zoneline.com.

Write the model and serial numbers here:

Model # _____

Serial # _____

Find these numbers on a label behind the room cover on the base pan.

THANK YOU FOR MAKING GE APPLIANCES A PART OF YOUR HOME.

Whether you grew up with GE Appliances, or this is your first, we're happy to have you in the family.

We take pride in the craftsmanship, innovation and design that goes into every GE Appliances product, and we think you will too. Among other things, registration of your appliance ensures that we can deliver important product information and warranty details when you need them.

Register your GE appliance now online. Helpful websites and phone numbers are available in the Consumer Support section of this Owner's Manual. You may also mail in the pre-printed registration card included in the packing material.



IMPORTANT SAFETY INFORMATION

READ ALL INSTRUCTIONS BEFORE USING THE APPLIANCE

WARNING

For your safety, the information in this manual must be followed to minimize the risk of fire or explosion, electric shock, or to prevent property damage, personal injury, or loss of life.

SAFETY PRECAUTIONS

- This Zoneline must be properly installed in accordance with the Installation Instructions before it is used. See the Installation Instructions in the back of this manual.
- Immediately replace all electric service cords that have become frayed or otherwise damaged. A damaged power supply cord must be replaced with a new power supply cord obtained from the manufacturer and not repaired. Do not use a cord that shows cracks or abrasion damage along its length or at either the plug or connector end.
- Unplug or disconnect the Zoneline at the fuse box or circuit breaker before making any repairs.

NOTE: We strongly recommend that any servicing be performed by a qualified individual.

- These R410A air conditioning systems require contractors and technicians to use tools, equipment and safety standards approved for use with this refrigerant. **DO NOT use equipment certified for R22 refrigerant only.**

Replacing an existing unit?

For details, see the Installation Instructions in this manual.

READ AND SAVE THESE INSTRUCTIONS

CONSIGNES DE SÉCURITÉ IMPORTANTES

LISEZ TOUTES LES INSTRUCTIONS AVANT L'UTILISATION

AVERTISSEMENT

Pour votre sécurité, veuillez observer les consignes de ce manuel afin de réduire le risque d'incendie, d'explosion, de choc électrique, de dommages à la propriété ou de blessures, graves ou fatales.

MESURES DE SÉCURITÉ

- Avant son utilisation, ce climatiseur Zoneline doit être installé correctement en conformité avec les instructions d'installation. Consultez les instructions d'installation au dos de ce manuel.
- Remplacez immédiatement tous les cordons électriques usés ou autrement endommagés. Un cordon électrique endommagé ne doit pas être réparé, il doit être remplacé par un cordon neuf acquis auprès du fabricant. N'utilisez pas un cordon qui présente des fissures ou des marques d'abrasion sur sa longueur, sa fiche ou sa connexion.
- Débranchez le climatiseur Zoneline ou coupez le courant à la boîte de fusibles ou au disjoncteur avant d'effectuer une réparation.

REMARQUE: Nous recommandons vivement que les réparations soient effectuées par une personne qualifiée en la matière.

- Les outils, les équipements et les normes de sécurité utilisés par les entrepreneurs et les techniciens doivent être approuvés en fonction du fluide frigorigène dont le système de climatisation R410A du Zoneline est équipé. **N'UTILISEZ PAS d'équipements certifiés relativement au fluide frigorigène R22 seulement.**

Vous remplacez un climatiseur existant?

Pour de plus amples renseignements, veuillez consulter les instructions d'installation de ce manuel.

LIRE ET CONSERVER CES INSTRUCTIONS

INFORMACIÓN IMPORTANTE DE SEGURIDAD

LEA TODAS LAS INSTRUCCIONES ANTES DE USAR

ADVERTENCIA

Para su seguridad, se debe seguir la información de este manual para minimizar el riesgo de incendio o explosión, descargas eléctricas, o para evitar daños a la propiedad, lesiones personales o la muerte.

PRECAUCIONES DE SEGURIDAD

- Antes de iniciar su uso, el acondicionador de aire Zoneline debe instalarse correctamente según las Instrucciones de instalación. Ver las Instrucciones de instalación en la parte trasera de este manual.
- Reemplace inmediatamente todos los cables eléctricos que se haya pelado o que se hayan dañado de alguna otra manera. Un cable de corriente dañado no debe repararse, sino que debe ser sustituido por uno nuevo que se adquiera del fabricante. No use un cable eléctrico que muestre evidencias de deterioro o daños de abrasión en su superficie o en cualquiera de sus enchufes o extremos.
- Desenchufe o desconecte el Zoneline desde la caja de fusibles o el disyuntor antes de realizar cualquier tipo de reparación.

NOTA: Recomendamos enérgicamente que cualquier servicio llevado a cabo en este equipo lo realice un individuo calificado.

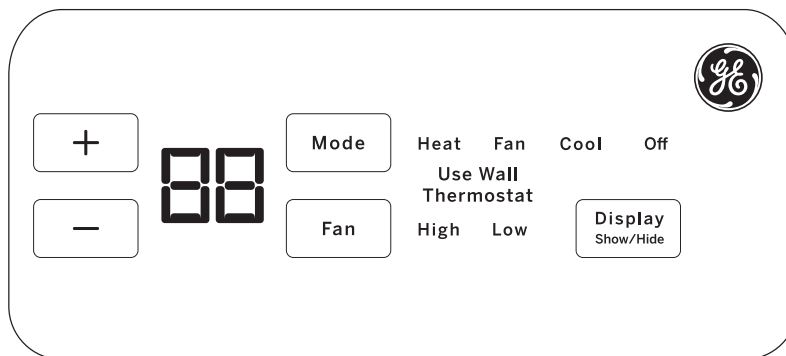
- Los sistemas de acondicionador de aire R410A requieren que los contratistas y técnicos utilicen herramientas, equipamiento y normas de seguridad aprobadas para su uso con este refrigerante. **NO utilice equipamiento certificado sólo para refrigerante R22.**

¿Desea reemplazar una unidad ya instalada?

Para más detalles, ver las Instrucciones de instalación en este manual.

LEA Y GUARDE ESTAS INSTRUCCIONES

Controls



Temp Control

The temp control is used to maintain the room temperature. The system will cycle on and off to keep the room at the same level of comfort.

Press the + pad to raise the temperature.

Press the - pad to lower the temperature.

NOTE: The display shows the set temperature, not the room temperature.

Fan, Mode and Operation Control

FAN—Sets the fan operation for **HIGH** or **LOW**.

MODE—COOL—For cooling

FAN—For fan-only operation

HEAT—For heating

OFF—Turns the unit off. Power remains connected to the Zoneline. The Freeze/Heat Sentinel features still function if active. See the *Freeze/Heat Sentinel* section on page 8.

USE WALL THERMOSTAT— This LED will light up when the unit is controlled by a wall thermostat. See page 9 for details.

Quick Heat Recovery

Activates each time the thermostat is switched from **OFF** or **COOL** mode to **HEAT** mode. Electric heaters are energized until the thermostat set point is reached. On heat pump models, the heat pump operation will resume at the next call for heat.

About Your Heat Pump (AZ65 only)

Heat pumps can save money by removing heat from the outside air—even when the outside temperature is below freezing—and releasing that heat indoors.

To get the best energy performance from your heat pump, don't change the room thermostat by more than one degree at one time. Raising the heat setting 2–3 degrees will cause the Zoneline to use its electric heating elements in order to reach the new temperature setting quickly.

The electric heating elements use more electricity than heat pumps and cost more to operate.

Control Lock Out

The control panel can be locked out to prevent users from changing the operation mode of the unit.

While the unit is in the desired operating mode, press and hold the DISPLAY SHOW/HIDE button for 10 seconds to lock the control and the desired setting. Any key press after that will result in the mode LED and temperature that was locked to flash 5 times and then go dormant.

To unlock the control lock out feature, press the DISPLAY SHOW/HIDE button for 10 seconds to unlock and resume normal operation.

NOTE: The temperature display will flash if the control panel is locked (see *Control Lock Out* section).

NOTE: When switching between modes, it may take several minutes to completely change operation.

There is a 3-minute minimum compressor run time at any setting to prevent short cycling.

The fans start before the compressor and stop after the compressor cycles off.

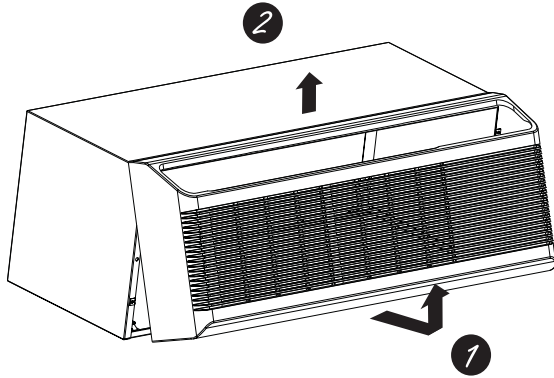
When the outdoor temperature is lower than 25°F, heat is provided by the electric heater instead of by the heat pump.

Using the Zoneline

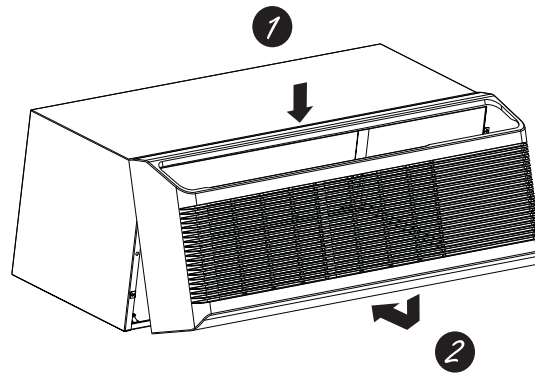
To Remove the Room Front

Additional controls are located behind the room cover.

To remove: Pull out at the bottom to release it from the holding tabs on the sides (1). Then lift up (2).

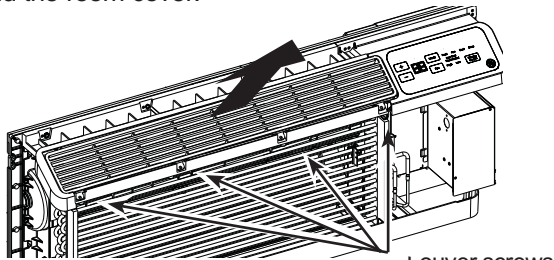


To replace: Align and place the top rail of the room cover over the chassis (1). Push inward at the bottom until it snaps into place (2).

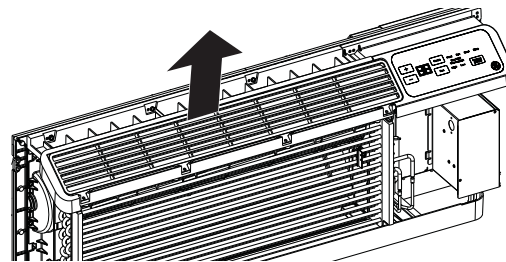


Air Direction

To change the air direction, remove the room cover. Remove the 4 louver screws that hold the louver insert in place. Rotate the louver 180°, reinstall and replace the screws and the room cover.



Louver screws
Factory Shipped Louver Orientation
(airflow @ 45° from horizontal)



Modified Louver Orientation
(airflow @ 65° from horizontal)

Ventilation Control*

NOTE: Two shipping screws must be removed from the vent door before use. See the Installation Instructions in the back of this manual. If you do not plan to use the ventilation feature, leave the two screws in place.

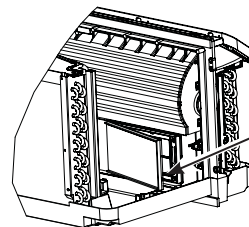
The ventilation control lever is located at the lower left side of the Zoneline unit, behind the room cover. The position of the lever can be adjusted with the wing nut.

When set at the closed position, only the air inside the room is circulated and filtered.

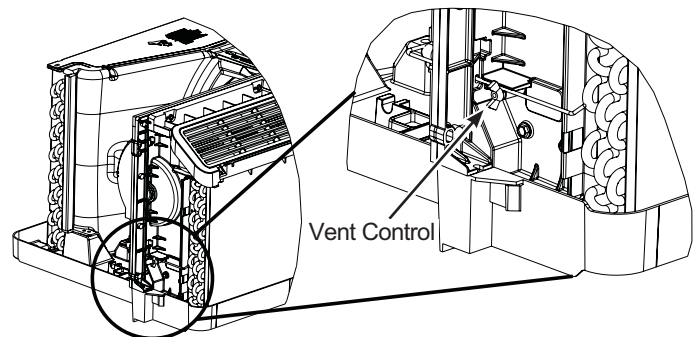
When set in an open position, some outdoor air will be drawn into the room. This will reduce the heating or cooling efficiency.

Energy Tip: Keep the vent control in the closed position to prevent unconditioned air from entering the room.

* Not on Make Up Air Module



Remove the shipping screws (if operation is desired)



Vent Control

Auxiliary controls on your Zoneline

Auxiliary Controls - Aux Set Button

While the unit is preset to what most customers prefer, the auxiliary controls located behind the room cover, below the control panel.

Press the red **AUX SET** button to lock in the selection, and exit AUX SET mode.

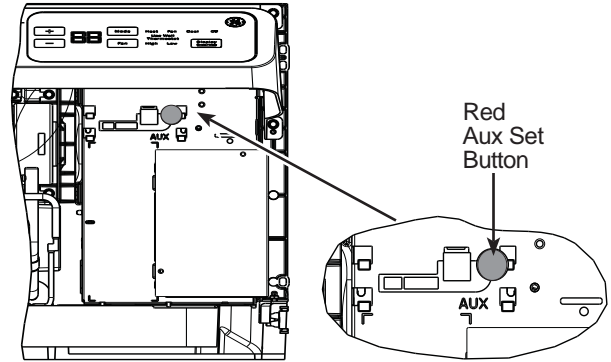
Remove the room cover. See the To Remove the Room Cover section.

If the owner modifies the auxiliary controls it is then the owner is responsible for ensuring the auxiliary controls are set to the desired function. There are 10 different modes that can be set using the auxiliary set button.

To change operating or set up parameters, first go to the mode control and turn the unit off, then, press the red **AUX SET** button (“AU” appears on the display).

Press the mode button on the control pad until the first digit in the display shows the number corresponding to the mode you are choosing and the correct HEAT/COOL LED is lit.

Press the +/- button to make the mode setting selection where applicable (shown in the second digit of the display).



Press "Aux Set"		Press "Aux Set"		Press "Aux Set for Digital Makeup Air Mode"	
A First Digit	U Second Digit	A First Digit	U Second Digit	A First Digit	U Second Digit
Press "Mode"	Press +/-	Press "Mode"	Press +/-	Press "Mode"	Press +/-
1 Smart Fan <small>HEAT COOL</small>	U - Cycle / n - Continue	5 Temperature Limit <small>HEAT COOL</small>	U - Off / n - On (Cool/Heat) / A - On (Auto Change Over)	0 Makeup Air Mode	U - Disable / n - Enable
2 Temperature Display	F / C	6 Class 2 Mode		1: 25CFM 4: 40CFM	
3 Sentinel <small>HEAT COOL</small>	U - Off / n - On	7 Duct Mode		2: 30CFM 5: 45CFM	
4 Constant Fan	U - Off / n - On	8 All I2R Mode (AZ65 Only)		3: 35CFM 6: 50CFM	
		9 Boost Heat (AZ65 Only)			

293D2203P002

MODE 1 Smart Fan—Cooling/Heating

Press **MODE** until a 1 appears in the first digit of the display for **Smart Fan** cool mode. The **COOL** LED light on the main control will be on. To change to heat mode, press **MODE** again. The **HEAT** LED light on the main control will be lit.

Press the - pad to set the indoor fan to cycle on/off in the heating or cooling mode selected “□.”

Press the + pad to set the indoor fan to run continuously in the heating or cooling mode selected “■.”

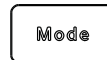
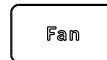
Press **AUX SET** to confirm your selection and exit **AUX SET** mode, or press **MODE** to continue setting other functions.

The default setting for Mode 1 is as follows:
Cooling: Continuous (ON)
Heating: Cycle (OFF)

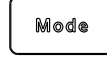
***Note:** In cyclic cooling mode, the indoor fan will activate occasionally to verify air temperature in the room. In cyclic heating mode, the fan will continue to operate for several seconds after the heating function has stopped in order to increase unit efficiency.



Cool



Cool



Heat



Heat



Auxiliary controls on your Zoneline

MODE 2 Fahrenheit / Celsius

This feature allows the individual to switch the temperature units between Fahrenheit and Celsius on the display.

Press **MODE** until a 2 appears in the first digit of the display for Fahrenheit/Celsius mode.

Press the - pad to select Celsius or the + pad to select Fahrenheit. The individual will see an F for Fahrenheit or a C for Celsius in the second digit of the display based on the selection.

The default setting for Mode 2 is Fahrenheit.



MODE 3 Freeze Sentinel/Heat Sentinel

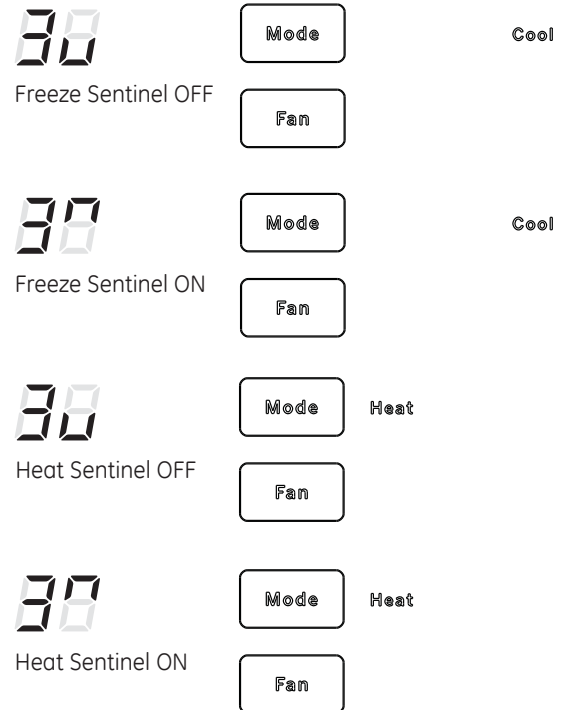
With power to the unit and **Freeze Sentinel** activated, the unit automatically provides heat without user interface. This prevents potential plumbing damage by turning the heater and indoor fan ON at 41°F and then OFF once the room temperature reaches 46°F.

When **Heat Sentinel** is activated, the unit automatically provides cooling without user interface. This prevents an excessively hot room by turning the air conditioner ON at 85°F and then OFF once the room temperature reaches 80°F.

Press **MODE** until a 3 appears in the first digit of the display for **Freeze Sentinel** mode. The **COOL** LED light on the main control will be on. Press **MODE** again to change to the **Heat Sentinel**. The **HEAT** LED light on the main control will be on. Press the - pad for OFF "␣" or the + pad for ON "␣". This is shown in the second digit of the display. Press **AUX SET** to lock in your selection, and exit **AUX SET** mode, or press **MODE** to continue setting other functions.

In the default setting for Mode 3, **Heat Sentinel** is off, **Freeze Sentinel** is on.

NOTE: These functions are active whenever the unit is plugged in, even if the unit is turned off.



MODE 4 Constant ON Fan

Press **MODE** until a 4 appears in the first digit of the display to set the fan to run continuously at high speed - **even if the unit is turned off**.

Press the - pad for OFF "␣" or the + pad for ON "␣." This is shown in the second digit of the display.

Press **AUX SET** to lock in your selection and exit **AUX SET** mode, or press **MODE** to continue setting other functions.

The default setting for Mode 4 is OFF.



Auxiliary controls on your Zoneline

MODE 5 Temperature Limiting

Temperature limiting is a feature that reduces energy costs by limiting the lowest temperature that can be obtained in cooling and the highest temperature that can be obtained in heating.

Press **MODE** until a 5 appears in the first digit of the display for **Temperature Limiting** cool mode. The **COOL** LED light on the main control will be lit. To change to heat mode, press **MODE** again and the **HEAT** LED light on the main control will be lit.

To set the temperature limits, press the + or - pad . The second digit of the display will be between 0 and 7 depending on the limit you want to set. The chart shows the limits available. Press **AUX SET** to lock in your selection and exit **AUX SET** mode, or press **MODE** to continue setting other functions.

Temperature limits—Cool	Temperature limits—Heat
0 = 60°F to 85°F	0 = 60°F to 65°F
1 = 64°F to 85°F	1 = 60°F to 70°F
2 = 66°F to 85°F	2 = 60°F to 72°F
3 = 68°F to 85°F	3 = 60°F to 74°F
4 = 70°F to 85°F	4 = 60°F to 76°F
5 = 72°F to 85°F	5 = 60°F to 78°F
6 = 74°F to 85°F	6 = 60°F to 80°F
7 = 76°F to 85°F	7 = 60°F to 85°F

The default setting for Mode 5 is as follows:
Cool: 2 (66°F to 85°F)
Heat: 5 (60°F to 78°F)

52

Mode

Cool

Fan

Temperature Limiting Cool – Limit 2

55

Mode

Heat

Fan

Temperature Limiting Heat – Limit 5

MODE 6 Use Wall Thermostat

Setting this mode to ON will allow the unit to operate with a Class 2 Remote Control Wall Thermostat. Press **MODE** until a 6 appears in the first digit of the display for **Class 2** mode.

The default setting for Mode 6 is OFF.

Press the + pad to turn the option ON “□” for “standard cool/heat” thermostats. Press the + pad again to turn the option ON “R” for “auto change over” thermostat. You may press the - pad to return to the previous setting. Press **AUX SET** to lock in your selection and exit **AUX SET** mode, or press **MODE** to continue setting other functions.

When this mode is active, the display will show “Use Wall Thermostat” when any key is pressed.

60

Class 2 OFF

6R

Class 2 ON
(Cool/Heat)

6□

Class ON
(Auto Change Over)

MODE 7 Duct Mode

This setting is used when the unit is installed with a duct adapter kit. If the unit is ducted, the Duct Mode needs to be set to ON. This increases the fan speed to ensure proper circulation.

Press **MODE** until a 7 appears in the first digit of the display. Press the + or - pad to set this switch to OFF “□” or ON “□.” This is shown in the second digit of the display. Press **AUX SET** to lock in your selection and exit **AUX SET** mode.

For Model AZ65, press **MODE** to continue setting other functions. Pressing **MODE** on Model AZ45 will return you to **AUX SET** mode and an “AU” will appear in the display.

The default setting for Mode 7 is OFF.

70

Duct Mode OFF

7□

Duct Mode ON

Auxiliary controls on your Zoneline

MODE 8 All-Electric Heat (AZ65 only)

This electric heat option functions only on the AZ65 model. When this option is ON “**□**,” heat pump operation is locked out, causing the unit to provide only electric resistance heat.

To set **All-Electric Heat** option, press **MODE** until an 8 appears in the first digit of the display. Press the + or - pad to set this switch to OFF “**□**” or ON “**□**.” This is shown in the second digit of the display.

Press **AUX SET** to lock in your selection and exit **AUX SET** mode, or press **MODE** to continue setting other functions.

The default setting for Mode 8 is OFF.



All-Electric Heat OFF



All-Electric Heat ON

MODE 9 Heat Boost (AZ65 only)

When **Heat Boost** is ON and outside temperatures are between 25°F and 46°F, supplementary electric heat to the heat pump operation to help maintain a consistent, comfortable room temperature.

To set Heat Boost, press **MODE** until a 9 appears in the first digit of the display. Press the + or - pad to set this switch to OFF “**□**” or ON “**□**.” This is shown in the second digit of the display. Press **AUX SET** to lock in your selection and exit **AUX SET** mode.

The default setting for Mode 9 is OFF.



Heat Boost OFF



Heat Boost ON

MODE 0 Digital Makeup Air Module Fan Speed

Press **MODE** until a 0 appears in the first digit of the display for the Digital Makeup Air mode. To turn off the module or change the fan speeds, press the + or - pad. 00 indicates the module is off. 01= module on with fans set at 25cfm, 02 = module on with fans set at 30cfm, etc.

The default setting for Mode 0 is ON with a fan speed of 35 cfm “**3**”

MODE E Digital Makeup Air Module Occupancy

To enable occupancy detection, press **MODE** until an E appears in the first digit of the display. Press the + or - pad to set occupancy detection to OFF “**□**” or ON “**□**”.

The default setting for Mode E is OFF “**□**”.

Auxiliary controls on your Zoneline

Auxiliary Controls - Terminal Connections

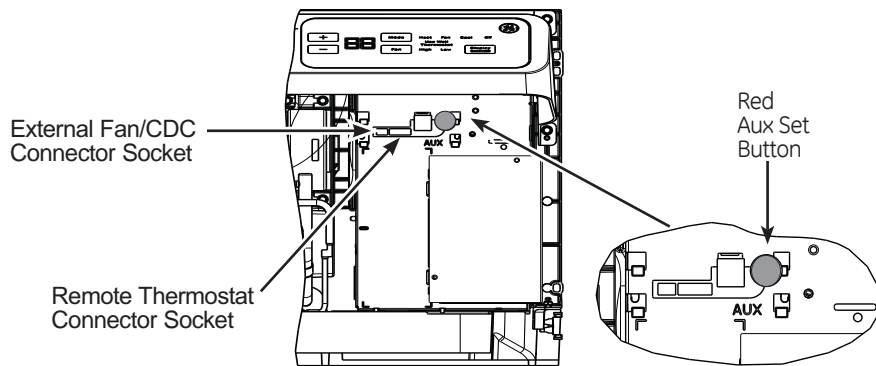
The auxiliary control terminal connects are located behind the room cover beneath the access cover.

1. Turn off and unplug the unit.
2. Remove the room cover. See the To Remove the Room Cover section.
3. To make wiring connections, insert the connectors into the appropriate terminals on the control box.
4. After all desired connections have been made, replace the access cover and room cover.

The owner is responsible for making all connections and setting the appropriate **AUX SET** mode.

NOTICE:

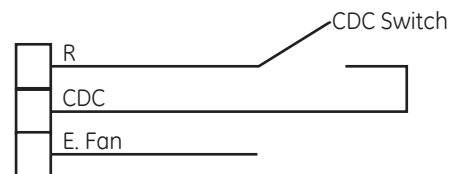
Improper wiring may damage the Zoneline electronics. No common busing is permitted. Damage or erratic operation may result. A separate wire pair must be run from each separate controlling switch to each individual Zoneline.



External Fan (Field Installed)

When connected, an auxiliary or external fan can be controlled with the indoor fan motor on the Zoneline. Connections provide 24 V AC to energize a remote relay.

The RAKCDC accessory must be used when using an external fan.

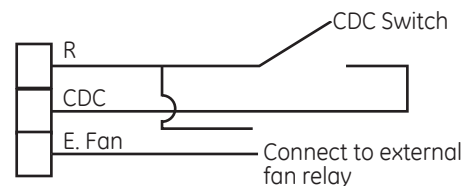
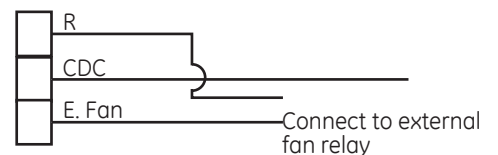
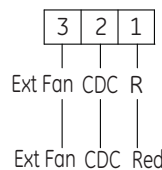


Central Desk Control (Field Supplied)*

The Central Desk Control is a feature that allows the unit to be made operable/inoperable from a remote location. Operation of the feature requires that an ON-OFF switch at the remote location be wired to the two CDC terminals on the control panel of the Zoneline. When the remote switch is CLOSED, the unit cannot be operated in the Fan, Cool, or Heat modes by the control. The Freeze Sentinel and the Heat Sentinel features remain operable. When the remote switch is Open, the unit is fully operable by control.

The RAKCDC accessory must be used with a central desk control system. No "Common Busing" is permitted.

* It should be noted that CDC cannot be used on DBM and EBM models when occupancy is enabled.



Auxiliary controls on your Zoneline

Remote Thermostat

The Remote Thermostat Connectors are included with each Zoneline.

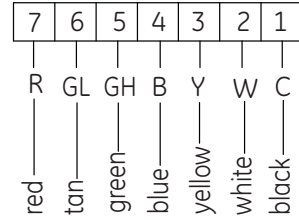
When connected to a remote thermostat, the indoor air temperature sensing is shifted from the unit to the remote thermostat. For this reason, the units will operate slightly differently when connected to a remote thermostat. The following chart shows the unit operation when connected to a remote thermostat.

IMPORTANT: The Zoneline thermostat connections provide 24 V AC only.

If using a digital/electronic wall thermostat, you must set it to the 24 V AC setting. See the Installation Instructions for the wall thermostat.

NOTICE:

Damage to a wall thermostat or to the Zoneline electronics can result from improper connections. Special care must be used in connecting the wires. No line voltage connections should be made to any circuit. Isolate all wires in building from line voltage.



Feature	Heat Pump	Electric Heat
Indoor Frost Control	Yes	Yes
Freeze Sentinel	Yes	Yes
Electronic Temperature Limiting	No	No
Switch to Resistance Heat Based on Indoor Temperature	Determined by Remote Thermostat	N/A
Switch to Resistance Heat Based on Outdoor Temperature	Yes	N/A
Reverse Cycle Defrost	Yes	N/A
Simultaneous Partial Resistance Heat with Heat Pump	Yes	N/A
Resistance Heat Lockout	Yes	N/A
“Smart Fan” Fan Cycle	Fan ON/AUTO Set On Remote Thermostat	Fan On/Auto Set On Remote Thermostat
Central Desk Control	Yes	Yes

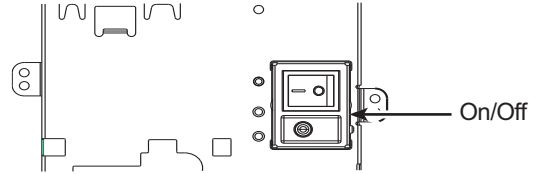
NOTE: The Class 2 Mode setting (Mode 6) must be set to ON “” for the unit to operate with a Class 2 Remote Wall Thermostat. (See the installation instructions supplied with the remote thermostat and mode instructions on page 10.)

Makeup Air Models (not on all units)

The make-up air ventilation system is designed to provide continuous outdoor air through the vent door and into the room. In addition to providing fresh air, it dehumidifies incoming air when it is above 55% relative humidity.

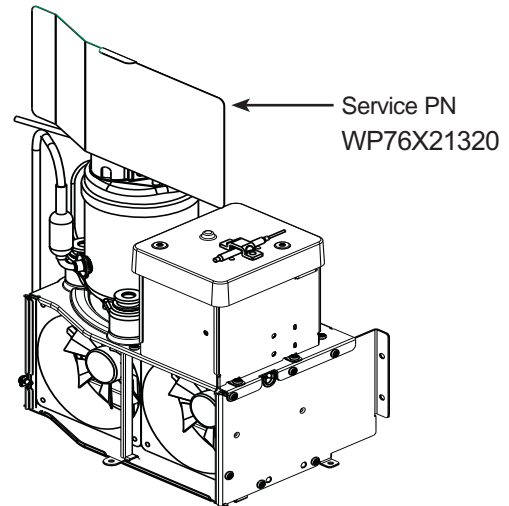
*DAM Models

The make-up air ventilation system is operated by a switch located on the front of the electrical control cover under the Zoneline room front. The system is turned on and off by depressing the on (I) or off (O) button as shown in the illustration.



Should the Zoneline need to be operated as a PTAC or PTHP only, the following steps should be followed:

1. Order service PN# WP76X21320.
2. Unplug the Zoneline.
3. Remove the room front.
4. Turn off the ventilation system by depressing the on/off button so that off (O) is selected (see above illustration for location).
5. Pull the Zoneline from the wall sleeve and install service PN# WP76X21320 as shown in the illustration.
6. Push the Zoneline back into the wall sleeve and restore power to the unit.

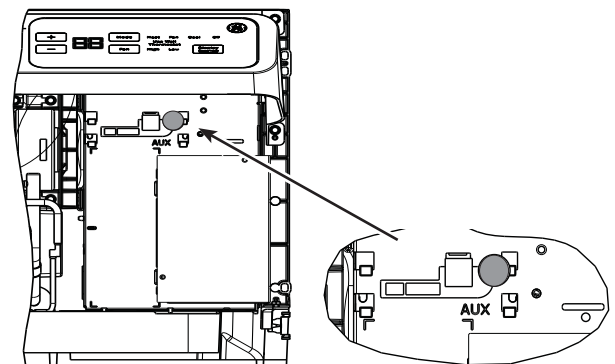


*DBM and *EBM Models

The makeup air ventilation system is operated through the Zoneline's auxiliary menu (see Auxiliary Controls section). To turn the system on or off, follow the directions below:

1. Remove the room front.
2. Press the mode control button and turn off the unit
3. Press the red AUX SET button ("AU" appears on the display).
4. To turn off the MUAM press the mode control button until "0" appears in the first digit.
5. Press the minus on the control panel until "00" is displayed to turn off the makeup air module.
6. The system is preset from the factory at 35 cfm. To change that value press the + or - for the fan speed desired: 1=25cfm, 2=30cfm, 3=35cfm, 4=40cfm, 5=45 cfm and 6=50cfm.
7. Depress the red Aux button again to return to normal operation.

5. Pull the Zoneline from the wall sleeve and install service PN# WP76X21320 as shown in the illustration.
6. Push the Zoneline back into the wall sleeve and restore power to the unit.



Should the Zoneline need to be operated as a PTAC or PTHP only, the following steps should be followed:

1. Order service PN# WP76X21320.
2. Unplug the Zoneline.
3. Remove the room front.
4. Turn off the makeup air module as instructed above.

NOTE: Digital makeup air units will perform a system check upon power up, power cycle and once every 7 days if the unit is in occupancy mode. The system check lasts approximately 45 seconds. During this time the fans will speed up, slow down, and then go to the set point.

Care and Cleaning

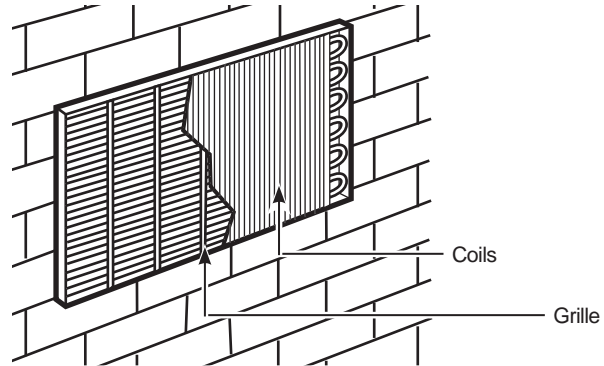
Room Cover and Case

Turn the Zonline off and disconnect the power supply.

To clean, use water and a mild detergent. Do not use bleach or abrasives. Some commercial cleaners may damage the plastic parts.

Outdoor Coils

The coils on the outdoor side of the Zonline should be checked regularly. If they are clogged with dirt or soot, they should be cleaned by either low or no pressure cleaning methods. Ensure that electrical area/devices are protected during cleaning. You will need to remove the unit from the wall sleeve to inspect the coils. The dirt buildup occurs on the fan side of the outdoor coil.



Clean the outside coils regularly.

Base Pan

In some installations, dirt or other debris may be blown into the unit from the outside and settle in the base pan (the bottom of the unit).

In some areas of the United States, a naturally occurring “gel-like” or “slime-like” substance may be seen in the base pan.

Check it periodically and clean, if necessary.

On 4500 Series models, do not remove the rubber drain plug from the base pan. If removed, excess water may drain to the outside.

Ventilation Filter

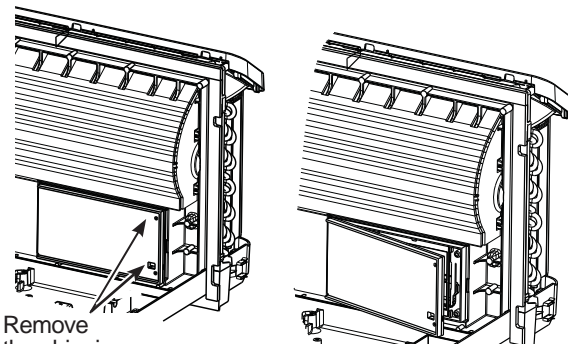
If the vent door is open, clean the vent filter twice a year or as required. Access requires the removal of the unit from the wall sleeve.

Turn the Zonline off and unplug before removing and cleaning.

To clean the vent filter:

IMPORTANT: This filter is not removable. Trying to remove this filter will damage the unit.

- Use a vacuum to remove debris from the filter.
- Use a damp rag to wipe down the filter and surrounding area after vacuuming.

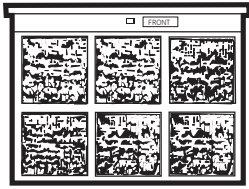


Remove the shipping screws (if operation is desired)

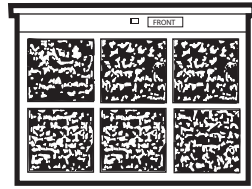
Care and Cleaning

Air Filters

To maintain optimum performance, clean the filters at least every 30 days.



*Dirty filter—
Needs cleaning*



*Clogged filter—
Greatly reduces cooling,
heating and airflow.*

Turn the Zonline off before cleaning.

The most important thing you can do to maintain the Zonline is to clean the filter at least every 30 days. Clogged filters reduce cooling, heating and air flow.

Keeping these filters clean will:

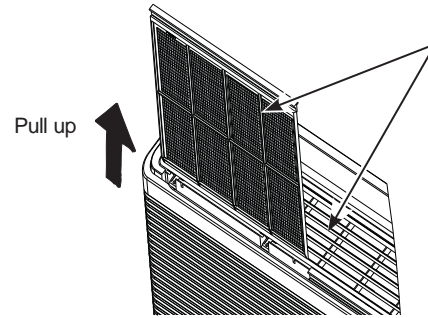
- Decrease cost of operation.
- Save energy.
- Prevent clogged heat exchanger coils.
- Reduce the risk of premature component failure.

To clean the air filters:

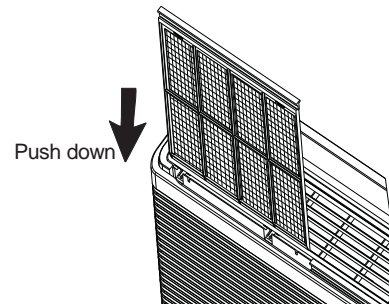
- Vacuum off the heavy soil.
- Run water through the filters from the back side.
- Dry thoroughly before replacing.

NOTE: The air filters are interchangeable and will fit in either the right or left side.

To remove the air filters:



To replace the air filters:



NOTICE:

Do not operate the Zonline without the filters in place. If a filter becomes torn or damaged, it should be replaced immediately.

Operating without the filters in place or with damaged filters will allow dirt and dust to reach the indoor coil and reduce the cooling, heating, airflow and efficiency of the unit.

Replacement filters are available from your salesperson, GE Appliances dealer, GE Appliances Service and Parts Center or authorized Customer Care® servicers.

Installation Instructions

Questions? Call 844-GE4-PTAC (or 844-434-7822) or Visit our Website at: GEAppliances.com

BEFORE YOU BEGIN

Read these instructions completely and carefully.

- **IMPORTANT** — Save these instructions for local inspector's use.
- **IMPORTANT** — Observe all governing codes and ordinances.
- **Note to Installer** — Be sure to leave these instructions with the owner.
- **Note to Owner** — Keep these instructions for future reference.
- Proper installation is the responsibility of the installer.
- Product failure due to improper installation is not covered under the Warranty.
- You must use all supplied parts and use proper installation procedures as described in these instructions when installing this air conditioner.

AIR CONDITIONER BREAK-IN PERIOD

NOTE — As with any mechanical device with moving parts, this unit will have a wear-in period. **AFTER INSTALLATION**, this unit should be operated for 48 hours to achieve optimum efficiency.

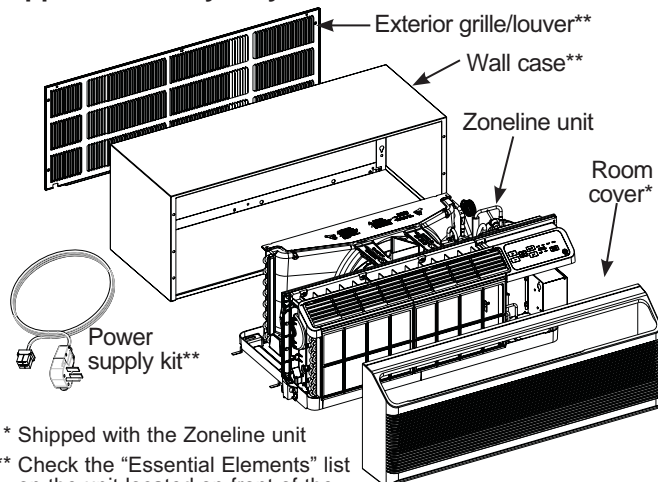
TOOLS YOU WILL NEED



Phillips screwdriver
or 5/16" Nut driver

ZONELINE COMPONENTS

Appearance may vary.



* Shipped with the Zoneline unit

** Check the "Essential Elements" list on the unit located on front of the base pan

IMPORTANT ELECTRICAL SAFETY— READ CAREFULLY

⚠ CAUTION

- Follow the National Electrical Code (NEC) or local codes and ordinances.
- For personal safety, this Zoneline must be properly grounded.
- Protective devices (fuses or circuit breakers) acceptable for Zoneline installations are specified on the nameplate of each unit.
- Do not use an extension cord with this unit.
- Aluminum building wiring may present special problems—consult a qualified electrician.
- When the unit is in the OFF position, there is still voltage to the electrical controls.
- Disconnect the power to the unit before servicing by:
 - 1 Removing the power cord (if it has one) from the wall receptacle. OR
 - 2 Removing the branch circuit fuses or turning the circuit breakers off at the panel.

⚠ ATTENTION

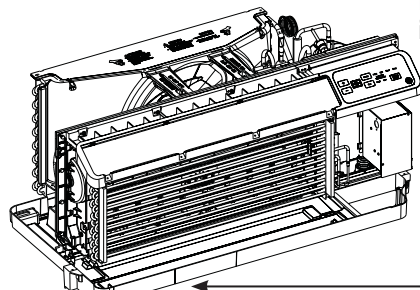
- Suivez le Code national de l'électricité (CNE) ou vos ordonnances et codes locaux.
- Pour votre sécurité personnelle, ce Zoneline doit être bien mis à la terre.
- Les appareils protecteurs (fusibles ou disjoncteurs) acceptables pour installer votre Zoneline sont indiqués sur la plaque signalétique de chaque appareil.
- N'utilisez jamais de rallonge électrique avec cet appareil.
- Les fils de bâtiment en aluminium peuvent poser des problèmes particuliers—consultez un électricien qualifié.
- Quand votre appareil est en position OFF (arrêt), il reste de la tension dans les commandes électriques.
- Débranchez le courant de votre appareil avant de l'entretenir ou de le réparer en:
 1. Enlevant le cordon d'alimentation (le cas échéant) de la prise murale. OU
 2. Enlevant les fusibles du circuit de dérivation ou en débranchant les disjoncteurs de dérivation au panneau.

⚠ PRECAUCIÓN

- Siga las instrucciones del National Electrical Code (Código de Electricidad Nacional) (NEC) o los códigos u ordenanzas locales.
- Para su seguridad personal, el acondicionador de aire Zoneline debe tener una adecuada conexión a tierra.
- Los dispositivos de protección (fusibles o disyuntores) adecuados para las instalaciones de Zoneline se encuentran especificados en la placa de cada unidad.
- No utilice un cable de extensión con esta unidad.
- El cableado de aluminio puede presentar problemas especiales: consulte a un electricista calificado.
- Cuando la unidad se encuentra en la posición OFF (apagado), todavía hay voltaje en los controles eléctricos.
- Antes de realizar reparaciones en la unidad, desconecte el suministro de energía de la siguiente manera:
 - 1 Retire el cable eléctrico (si posee uno) del receptáculo de la pared. O
 - 2 Retire los fusibles de la sección o apague el disyuntor desde el panel.

Installation Instructions

REPLACING AN EXISTING UNIT



Check the “Essential Elements” label for important information.

Use the correct wall case

This unit is designed to be installed in a GE Appliances plastic or insulated metal wall case. This minimizes condensation from forming on the room side of the case.

NOTE: There are several extra holes in the unit side flanges for installation in wall cases other than GE Appliances. To avoid damaging the flange insulation, the installer should use an awl or other sharp tool to puncture the insulation in the appropriate holes before installing the attachment screws.

Use the correct outdoor grille

You should use the outdoor grilles shown on the “Essential Elements” label on the base pan.

- If an existing grille is not replaced, capacity and efficiency will be reduced and the unit may fail to operate properly or fail prematurely. A deflector kit, RAK40, may be used with grilles that were not designed for your new GE Appliances Zonelines. The RAK40 contains air deflectors and gaskets that mount to the unit to direct the hot exhaust air away from the air intake to allow the unit to function properly. **The grille must have a 65% minimum free area (as calculated by ASHRAE).** See the Architects and Engineers Data Manual for more detailed information.
- Any vertical deflectors in a non GE Appliances existing rear grille should be removed to decrease condenser air recirculation that can cause the unit to “short-cycle” and lead to premature component failure.

Use the correct power cord

Local codes may require the use of arc fault or leakage current detection devices on 230/208-volt installations.

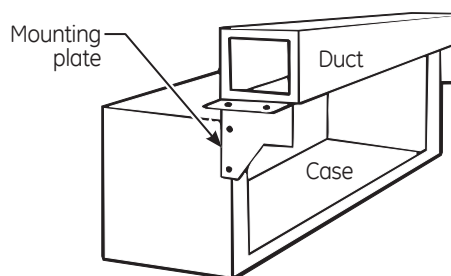
Replacing a ducted unit

New ducted installation:

If this unit is to be installed in a new ducted application using a duct adapter kit, the kit must be installed before the unit is placed in the wall case. The installation instructions are packed with the kit.

Duct kits available:

- RAK6053
- RAK601B/602B



Existing ducted installation:

Replacement of an existing ducted unit may require different components. Request this information from your sales representative. **Duct seals on existing unit need to be removed and added to the new unit.**

- **Replacing 230/208 volt units:**
See page 19.
- **Replacing 265 volt units:**
See page 20.

When using a duct kit, you must always turn Mode 7 to ON “ ” See Mode instructions on page 11.

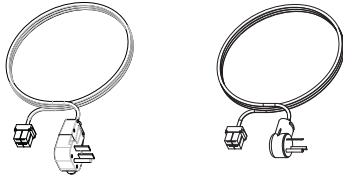


Duct Mode
Shown ON

230/208 VOLT ELECTRICAL CONNECTION OPTIONS

POWER CORD CONNECTION

Depending on application, a power supply kit with LCDI must be used to supply power to the Zoneline unit. The appropriate kit is determined by the voltage, the means of electrical connection and the amperage of the branch circuit.



Power supply kit
(Appearance may vary)

Connections of 208 or 230-volt circuits may be with a power supply kit or a junction box kit.

All wiring, including installation of the receptacle, must be in accordance with the NEC and local codes, ordinances and regulations. Codes require the use of an arc fault or leakage current detection device on the power cord except direct connect. Be sure to select the correct cord for your installation.



Tandem
15 Amp



Perpendicular
20 Amp



Large Tandem
30 Amp

230/208 volt receptacle configuration

Branch Circuit and Unit Amperage Rating	Proper GE Appliances Power Cord with LCDI Device
15	RAK315P
20	RAK320P
30	RAK330P*

Power cords may include an arc fault interruption or a leakage current detection interruption device. A test and reset button is provided on the plug case or the inline case. The device should be tested on a periodic basis by first pressing the TEST button and then the RESET button. If the TEST button does not trip or if the RESET button will not stay engaged, discontinue use of the Zoneline and contact a qualified service technician.

ELECTRICAL SUBBASE CONNECTION

230/208-volt models may be installed using one of the following electrical subbases:

Branch Circuit and Unit Amperage Rating	Proper GE Appliances Subbase Kit
15	RAK204D15PA
20	RAK204D20PA
30	RAK204D30PA

Electrical subbases provide an enclosure for direct connection or enclosed receptacles. The subbase kit includes the power cord.

The instructions provided with the selected subbase kit must be carefully followed. It is the responsibility of the installer to ensure the connection of components is done in accordance with these instructions and all electrical codes.

If using a sub-base connection, the RAK4002C Junction Box is also necessary for a complete installation.

DIRECT CONNECTION

Order the following Kit for 230/208-volt direct connection as required:

Branch Circuit and Unit Amperage Rating	Power Supply Kit
15	RAK315D
20	RAK320D
30	RAK330D

Review installation instructions provided with power cord or direct connect kits for detailed assembly instructions.

If using a sub-base connection, the RAK4002C Junction Box is also necessary for a complete installation.

Installation Instructions

265 VOLT ELECTRICAL CONNECTION OPTIONS

WARNING

Connection of this 265 V AC product to a branch circuit **MUST** be done by direct connection in accordance with the National Electrical Code. Plugging this unit into a building-mounted exposed receptacle is not permitted by code.

These models must be installed using the appropriate GE Appliances power supply kit for the branch circuit amperage and the electrical resistance heater wattage desired. Use the POWER CONNECTION CHART on page 21 to determine the correct kit required. One of the following installation methods must be used:

AVERTISSEMENT

Vous DEVEZ brancher ce produit alimenté par courant alternatif de 265 volts au circuit de dérivation par branchement direct conformément au Code national d'électricité. Le Code n'autorise pas le branchement d'un appareil à une prise exposée montée sur le bâtiment.

Vous devez installer ces modèles à l'aide de la bonne trousse d'alimentation électrique GE Appliances pour l'ampérage du circuit de dérivation et la puissance du chauffage à résistance électrique désirée. Utilisez le Tableau de contact électrique, page 21, pour déterminer la bonne trousse requise. Vous devez utiliser l'une des méthodes suivantes d'installation.

ADVERTENCIA

La conexión de este producto de 265 voltios de CA a un circuito derivado DEBE realizarse mediante una conexión directa de acuerdo a las indicaciones del NEC. El código no permite enchufar esta unidad a una caja externa.

Estos modelos deben instalarse utilizando el kit de GE Appliances de suministro de energía adecuado para el amperaje de circuito derivado y el vatiaje deseado para el calefactor de resistencia eléctrica. Utilice la TABLA DE CONEXIONES ELÉCTRICAS en la página 21 para determinar cuál es el kit necesario. Debe utilizarse uno de los siguientes métodos de instalación.

A. FOR SUBBASE INSTALLATION

Electrical subbase kits are available to provide a flexible enclosure for direct connection.

Branch Circuit and Unit Amperage Rating	Proper GE Appliances Subbase Kit	Power Supply Kit
15	RAK204E15	RAK515P
20	RAK204E20	RAK520P
30	RAK204E30	RAK530P

The instructions provided with the selected subbase kit must be carefully followed. It is the responsibility of the installer to ensure the connection of components is done in accordance with these instructions and all electrical codes.

B. FOR DIRECT CONNECT INSTALLATION

If an electrical subbase is not used, direct connection to branch circuit wiring inside the provided junction box must be done in accordance with the following steps.

Order the following Kit for 265-volt direct connection as required:

Branch Circuit and Unit Amperage Rating	Power Supply Kit
15	RAK515D
20	RAK520D
30	RAK530D

Review installation instructions provided with power cord or direct connect kits for detailed assembly instructions.

Installation Instructions

POWER CONNECTION CHART

Power Cord Connections

230/208 Volt Power Supply Kits with Current Leakage Detection Device (1)	Wall Plug Configuration	Circuit Protective Device	Heater Wattage @ 230/208 Volts
RAK315P/SP RAK320P/SP RAK330P/SP	Tandem Perpendicular Large Tandem	15-Amp Time-Delay Fuse or Breaker 20-Amp Time-Delay Fuse or Breaker 30-Amp Time-Delay Fuse or Breaker	2.40/1.96 KW 3.40/2.78 KW 4.80/3.93 KW (High Fan) 3.80/3.11 KW (Low Fan)

Direct Connections

230/208 Volt Power Supply Kits (2)	Circuit Protective Device	Heater Wattage @ 230/208 Volts
RAK315D RAK320D RAK330D	15-Amp Time-Delay Fuse or Breaker 20-Amp Time-Delay Fuse or Breaker 30-Amp Time-Delay Fuse or Breaker	2.40/1.96 KW 3.40/2.78 KW 4.80/3.93 KW (High Fan) 3.80/3.11 KW (Low Fan)

265 Volt Power Supply Kits	Circuit Protective Device	Heater Wattage @ 265 Volts
RAK515D RAK520D RAK530D	15-Amp Time-Delay Fuse or Breaker 20-Amp Time-Delay Fuse or Breaker 30-Amp Time-Delay Fuse or Breaker	2.40 KW 3.40 KW 4.80 KW (High Fan) 3.8 KW (Low Fan)

- (1) A junction box is included with SP kits.
- (2) A junction box is included with these kits.

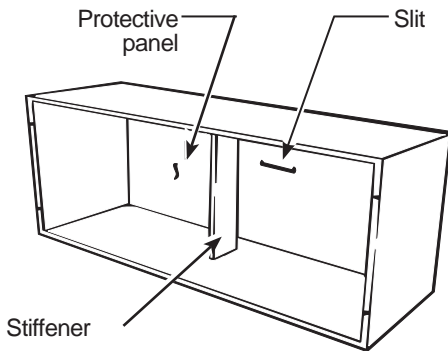
Installation Instructions

INSTALLING THE ZONELINE

1. INSTALL THE WALL CASE AND EXTERIOR GRILLE

The RAB71A/B series or RAB77A4/77B wall case must be properly installed per instructions packed with the case.

- Remove the corrugated stiffener and the outdoor protective panel. Use the slit in the outdoor panel as a hand hold and push out.

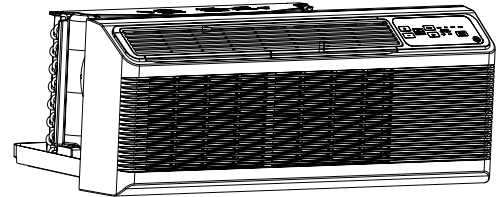


- Install the exterior grille from the room side following instructions packed with the grille.

NOTE: For installation with a subbase or duct adapter, see the instructions packed with those kits.

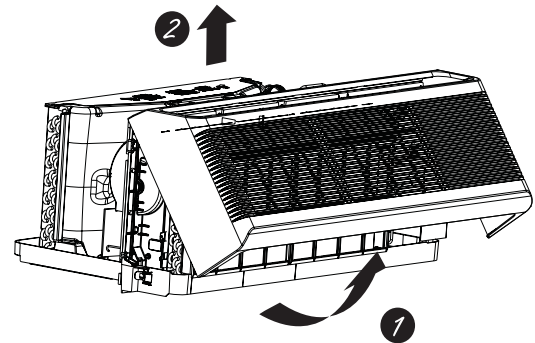
2. PREPARE THE UNIT

- Carefully remove the foam shipping blocks from the room front, compressor and outdoor fan. There may be multiple blocks and pieces of shipping tape that need to be removed.

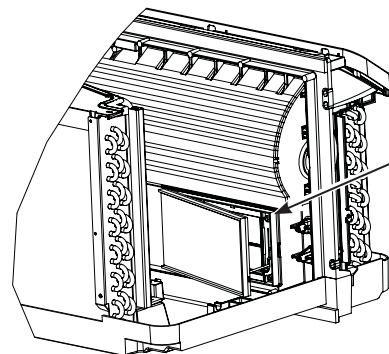


Shipping tape
(Locations may vary)

- Remove the room cover by pulling it out at the bottom to release it (1); then lift it up to clear the rail along the unit top (2).



- If vent door is to be operational, remove shipping screws from the front side of the vent door, if present.



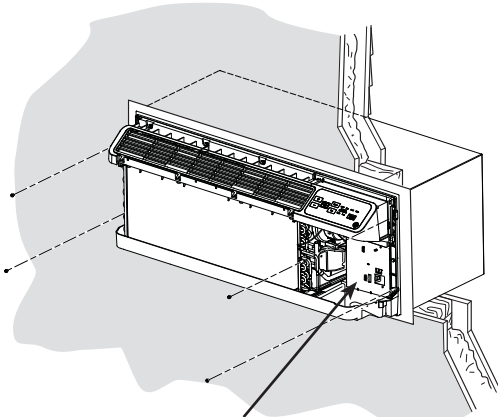
Remove the shipping screws
(if operation is desired)

INSTALLING THE ZONELINE (cont.)

3. INSTALL THE UNIT INTO THE WALL CASE

Slide the unit into the wall case and secure with four screws through the unit flange holes.

The four screws will be located in a sealed bag that sits under the control panel, sitting in the pocket in the base pan.

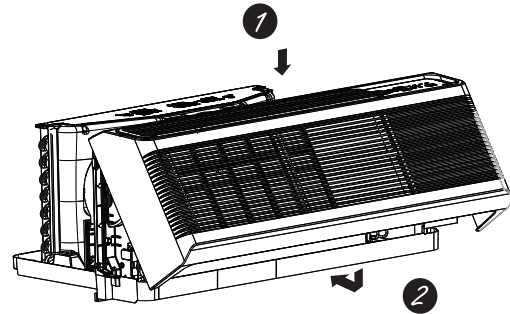


The four wall case screws will be taped to the pocket in front of the control box.

NOTE: There are several extra holes in the unit side flanges for installation in wall cases other than GE Appliances. To avoid damaging the flange insulation, the installer should use an awl or other sharp tool to puncture the insulation in the appropriate holes before installing the attachment screws.

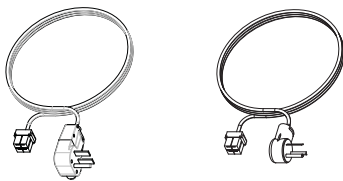
5. REPLACE THE ROOM FRONT

Reinstall the room cover by aligning and placing the top rail of the room cover over the chassis (1), then pushing it in at the bottom (2).



4. CONNECT POWER CORD OR DIRECT CONNECT KIT

Review installation instructions provided with power cord or direct connect kits for detailed assembly instructions.



Power supply kit
(Appearance may vary)

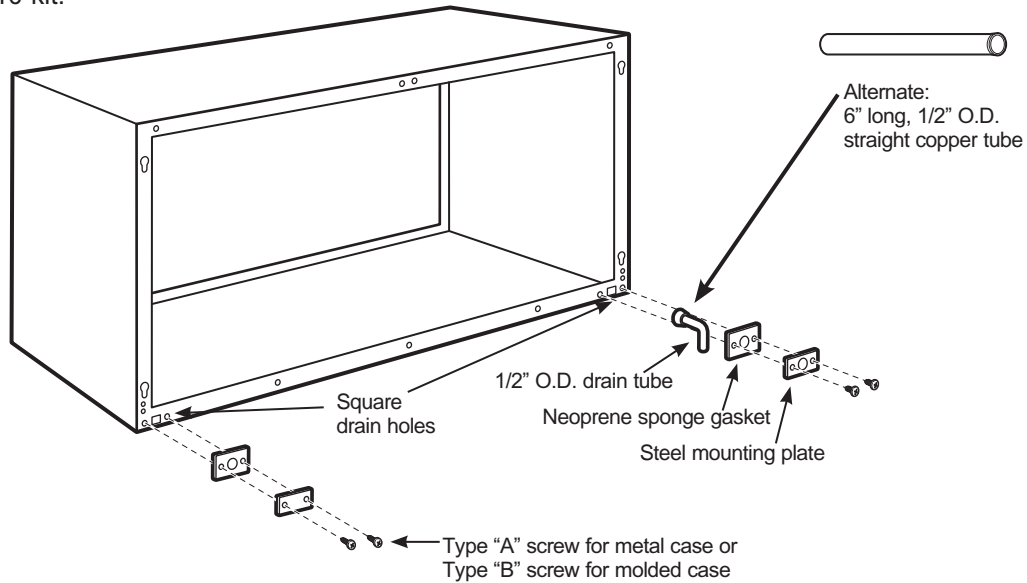
Installation Instructions

OPTIONAL—DRAIN KIT INSTALLATION

Dry Air 25 Series models are designed to improve dehumidification by 25%. Since more moisture will be removed from the air, there is a greater possibility that water will drip from the wall case than with a standard unit. To prevent this water from dripping onto external building walls, we recommend the use of RAD10 Drain Kit.

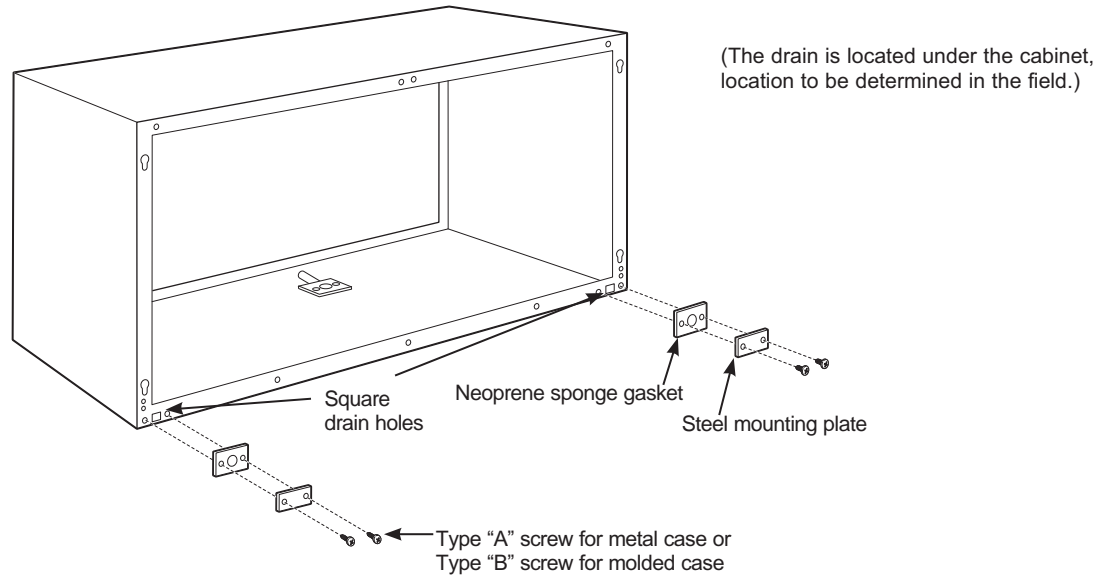
External Drain

See the Installation Instructions in the RAD10 kit.



Internal Drain

See the Installation Instructions in the RAD10 kit.



Troubleshooting Tips... Before you call for service

Save time and money! Review the charts on the following pages first and you may not need to call for service.

Problem	Possible Cause	What To Do
Zonline does not start.	The unit is unplugged.	Make sure the Zonline plug is pushed completely into the outlet.
	The power cord is not firmly attached.	Remove the room cover and make sure that the black connector on the end of the power cord is firmly engaged.
	The fuse is blown/circuit breaker is tripped.	Check the house fuse/circuit breaker box and replace the fuse or reset the breaker.
	The unit is waiting for the compressor overload protector to reset.	This is normal. The Zonline will start again after it resets.
	Power Failure.	If power failure occurs, set the mode control to OFF . When power is restored, set the mode control to the desired setting. There is a protective time delay (up to 3 minutes) to prevent tripping of the compressor overload. For this reason, the unit may not start normal heating or cooling for 3 minutes after it is turned back on.
	The power cord current interrupter device is tripped.	Press the RESET button located on the power cord plug or the box near the plug. If the RESET button will not stay engaged, discontinue use of the Zonline and contract a qualified service technician.
Zonline does not cool or heat as it should.	Indoor airflow is restricted.	Make sure there are not curtains, blinds or furniture blocking the front of the Zonline.
	Outdoor airflow is restricted or recirculated.	Make sure the rear grille is not restricted. This can cause the unit to cycle off due to the compressor overload protector. Outdoor grille must have a minimum of 65% free area. Non-GE Appliances grills may be too restrictive for proper performance. Consult your salesperson for assistance.
	The temp control may not be set properly.	Turn the control to the lower or higher setting. NOTE: The temperature limiter may be limiting the temperature range.
	The air filter is dirty.	Change the filter at least every 30 days. See the Care and Cleaning section
	The room may have been hot or cold.	When the Zonline is first turned on you need to allow time for the room to cool down or warm up.
	Outdoor air is entering the room.	Set the vent control to the closed position. NOTE: Units equipped with makeup ventilation will continuously allow some outdoor air into the room.
Burning odor at the start of heating operation.	Dust on the surface of the heating elements.	This can cause a "burning" odor at the beginning of the heating operation. This should quickly fade.

Troubleshooting Tips... Before you call for service

Save time and money! Review the charts on the following pages first and you may not need to call for service.

Problem	Possible Cause	What To Do
The air is not always cool or hot during operation.	The heat pump is not producing hot air.	This is normal. The heat pump will produce warm air but not as hot as air produced when the higher-cost electric heat is used.
	The Smart Fan Auxiliary control may be set to continuous fan.	This causes the fan to blow room temperature air even when the compressor or heater cycles off. The continuous air movement provides better overall temperature control in the cool mode. See Smart Fan-Cooling/Heating section on page 9.
The air does not feel warm enough during heating operation	The heat pump alone produces air that feels cooler than desired.	Use the Electric Heat Option. This turns off the heat pump and warms with electric heat only. NOTE: Use of this option will result in increased energy consumption.
The unit is not blowing out air	The Smart Fan Auxiliary Controls may be set to cycle.	See Smart Fan - Cooling/Heating section on page 9.
The electric heating and fan features do not work	The power cord is not firmly attached.	Remove the room cover and make sure that the black connector on the end of the power cord is firmly engaged.
Temperature display flashes	The compressor may have failed.	Set the operation control to OFF and then restart the unit. If the flashing light reappears within 30 minutes, call for service.
The unit does not function after installing Remote Wall Thermostat	Aux Mode 6 not set properly.	Verify wiring from Remote Wall Thermostat is correct to unit thermostat connector.
	Unit thermostat connections are incorrect.	Check Aux Mode 6 to be sure switch on "on" for Remote Thermostat, see page 11.
	Transformer resets or opens with short.	Wait 5 minutes to see if power resets.
Heat pump operates with electric heat only during heating.	Aux Mode 6 not set properly.	Check Aux Mode 6 is set for the appropriate remote wall thermostat, either "H" for "cool/heat" or "R" for "Auto Change Over", see page 10.
	Aux Mode 8 not set properly.	Check Aux Mode 8 to be sure switch is "off" for heat pump operation, see page 11.

Things that are normal

Normal Operating Sounds



You may hear a pinging noise caused by water being picked up and thrown against the condenser on rainy days or when the humidity is high. This design feature helps remove moisture and improve efficiency.

“CLICK”

You may hear relays click when the controls cycle on and off or are adjusted to change the room temperature.



Water will collect in the base pan during high humidity or on rainy days. The water may overflow and drip from the outdoor side of the unit.



The indoor fan runs continuously when the unit is operating in the cooling mode, unless the Smart Fan Auxiliary Control is set to cycle. This will cause the fan to cycle on and off with the compressor. You may also hear a fan noise stop and start.

There are times when the fan on the unit will run even when the unit is not heating or cooling. If the system is set up to be in continuous fan the indoor fan will run regardless if the unit may be cooling or heating. Other times the fan will run longer than the heating/cooling cycle or kick on occasionally. This is normal and is done to improve room comfort and balance.

If the unit is equipped with a make-up air ventilation system, fans will run continuously.

Digital makeup air unit will perform a system check upon power up, power cycle, and once every 7 days if the unit is in occupancy mode. The system check lasts approximately 45 seconds. During this time the fans will speed up, slow down and then go to the set point.

3-Minute Delay



You may notice a few minutes delay in starting if you try to restart the Zoneline too soon after turning it off or if you adjust the thermostat right after the compressor has shut off. This is due to a built-in restart protector for the compressor that causes a 3-minute delay.

SILENCE

During the defrost cycle, both indoor and outdoor fans stop and the compressor will operate in the cooling mode to remove frost from the outdoor coil. After defrost, the unit will restart in electric heat to quickly warm the room to the desired comfort level.

COMPRESSOR PROTECTION

To protect the compressor and prevent short cycling, the unit is designed to run for a minimum of 3 minutes after the compressor starts at any thermostat setting.

Product Registration

Follow these three steps to protect your new appliance investment:

1 Complete and mail your Consumer Production Registration today. Have the peace of mind of knowing we can contact you in the unlikely event of a safety modification.

2 After mailing the registration below, store this document in a safe place. It contains information you will need should you require service. Our service number is 844-GE4-PTAC (or 844-434-7822).

3 Read your Owner's Manual carefully. It will help you operate your new appliance properly.

✂ cut here

CONSUMER PRODUCT OWNERSHIP REGISTRATION

Three ways to register your appliance:



SCAN
this code with your smart-phone app

GO ONLINE
geappliances.com/register

COMPLETE & MAIL
this registration card

Product:

Model:

Serial:

Mr. Mrs. Ms.

First Name Last Name

Street Address Apt.#

Email Address

We'll use your email address to send you information about your product, as well as discounts and other offers from GE Appliances

City State ZIP Code

Month Day Year Phone Number ()

Date appliance was installed or placed in use

GE Appliances takes your privacy seriously. All information you provide shall be held in strict accordance with the GE Appliances Privacy Policy. Read the full policy at www.geappliances.com/privacy/privacy_policy.htm.

geappliances.com/register

Revised 6/15
245D1499P001

✂ cut here

FOR CANADIAN CONSUMERS / POUR LES CONSOMMATEURS CANADIENS

MODEL/MODÈLE		SERIAL/SÉRIE		P.O. BOX/C.P. 1780 MISSISSAUGA, ONT. L4V 4G1	
				INSTALLATION DATE Y/A M DATE D'INSTALLATION	
PLEASE COMPLETE AND RETURN THIS CARD IMMEDIATELY TO ENABLE US TO CONTACT YOU IN THE REMOTE EVENT A SAFETY NOTIFICATION IS ISSUED FOR THIS PRODUCT.			VEUILLEZ REMPLIR ET RETOURNER LA PRÉSENTE FICHE SANS TARDER AFIN DE NOUS PERMETTRE DE COMMUNIQUER AVEC VOUS SI JAMAIS UN AVIS DE SÉCURITÉ CONCERNANT CE PRODUIT ÉTAIT ÉMIS.		
CHECK ONE	MR. <input type="checkbox"/> MRS. <input type="checkbox"/>	FIRST NAME/PRÉNOM		LAST NAME/NOM	
COCHEZ	MISS <input type="checkbox"/> Mlle <input type="checkbox"/>				
STREET NO. N° RUE		STREET NAME/RUE		APT.NO./APP./RR#	
CITY/VILLE		PROVINCE		POSTAL CODE/POSTAL	
AREA CODE IND. REG.	TELEPHONE	NAME OF SELLING DEALER/NOM DU MARCHAND			

Canada consumers, visit geappliances.ca/register/index.jsp

CORRESPONDENCE
CORRESPONDANCE

FRENCH
FRANÇAIS

ENGLISH
ANGLAIS

245D1499P002
Revised 06/14

Product Registration

Please place in envelope and mail to:

PRODUCT REGISTRATION DEPARTMENT
PO BOX 34980
LOUISVILLE KY 40232-4980

Please place in envelope and mail to:
Veuillez mettre dans une enveloppe et envoyez à :

OWNERSHIP REGISTRATION
PO BOX 1780
MISSISSAUGA, ONTARIO
L4Y 4G1

GE Appliances Zonline Warranty

All warranty service provided by our Factory Service Centers or an authorized Customer Care® technician. To schedule service, on-line, visit us at GEAppliances.com, or call 844-GE4-PTAC (or 844-434-7822). For service in Canada, contact Gordon Williams Corp. at 1.888.209.0999. Please have serial number and model number available when calling for service.

For The Period Of:	GE Will Replace:
One Year <i>From the date of the original purchase</i>	Any part of the air conditioner which fails due to a defect in materials or workmanship. During this limited one-year warranty , GE will provide, free of charge , all labor and related service cost to replace the defective part.
Five Year <i>From the date of the original purchase</i>	Sealed Refrigerating System, if any part of the sealed refrigerating system (the compressor, condenser, evaporator and all connecting tubing including the make up air system) should fail due to a defect in materials or workmanship. During this limited five-year warranty , GE will provide, free of charge , all labor and related service cost to replace the defective part.
Second through Fifth Year <i>From the date of the original purchase</i>	Fan Motors, Switches, Thermostat, Heater, Heater Protectors, Compressor Overload, Solenoids, Circuit Boards, Auxiliary Controls, Thermistors, Freeze Sentinel, Frost Controls, ICR Pump, Capacitors, Varistors and Indoor Blower Bearings , if any of these parts should fail due to a defect in materials or workmanship. During this additional four-year limited warranty , the customer will be responsible for any labor and related service costs.

What GE Will Not Cover:

- Service trips to your site to teach you how to use the product.
- Improper installation, delivery or maintenance.
If you have an installation problem, or if the air conditioner is of improper cooling capacity for the intended use, contact your dealer or installer. You are responsible for providing adequate electrical connecting facilities.
- In commercial locations, labor necessary to move the unit to a location where it is accessible for service by an individual technician.
- Failure or damage resulting from corrosion due to installation in an environment containing corrosive chemicals.
- Replacement of fuses or resetting of circuit breakers.
- Failure of the product resulting from modifications to the product or due to unreasonable use, including failure to provide reasonable and necessary maintenance.
- Failure or damage resulting from corrosion due to installation in a coastal environment, except for models treated with special factory-applied anti-corrosion protection as designated in the model number.
- Damage to product caused by improper power supply voltage, accident, fire, floods or acts of God.
- Incidental or consequential damage to personal property caused by possible defects with this air conditioner.
- Damage caused after delivery.
- Product not accessible to provide required service.

EXCLUSION OF IMPLIED WARRANTIES—Your sole and exclusive remedy is product repair as provided in this Limited Warranty. Any implied warranties, including the implied warranties of merchantability or fitness for a particular purpose, are limited to one year or the shortest period allowed by law.

This warranty is extended to the original purchaser and any succeeding owner for products purchased for use within the USA and Canada. If the product is located in an area where service by a GE Appliances Authorized Servicer is not available, you may be responsible for a trip charge or you may be required to bring the product to an Authorized GE Appliances Service location for service. In Alaska, the warranty excludes the cost of shipping or service calls to your site.

Some states or provinces do not allow the exclusion or limitation of incidental or consequential damages. This warranty gives you specific legal rights, and you may also have other rights which vary from state to state or province to province. To know what your legal rights are, consult your local, state or provincial consumer affairs office or your state's Attorney General.

Warrantor: GE Appliances

Staple your receipt here. Proof of the original purchase date is needed to obtain service under the warranty.

Consumer Support

GE Appliances Website

Have a question or need assistance with your appliance? Try the GE Appliances Website 24 hours a day, any day of the year! You can also shop for more great GE Appliances products and take advantage of all our on-line support services designed for your convenience. In the US: GEAppliances.com

Register Your Appliance

Register your new appliance on-line at your convenience! Timely product registration will allow for enhanced communication and prompt service under the terms of your warranty, should the need arise. You may also mail in the pre-printed registration card included in the packing material. In the US: GEAppliances.com/register

Schedule Service

Expert GE Appliances repair service is only one step away from your door. Get on-line and schedule your service at your convenience any day of the year. In the US: GEAppliances.com/ge/service-and-support/service.htm or call 800.432.2737 during normal business hours.

Extended Warranties

Purchase a GE Appliances extended warranty and learn about special discounts that are available while your warranty is still in effect. You can purchase it on-line anytime. GE Appliances Services will still be there after your warranty expires. In the US: GEAppliances.com/ge/service-and-support/shop-for-extended-service-plans.htm or call 800.626.2224 during normal business hours.

Remote Connectivity

For assistance with wireless network connectivity (for models with remote enable), visit our website at GEAppliances.com/ge/connected-appliances/ or call 800.220.6899 in the US.

Parts and Accessories

Individuals qualified to service their own appliances can have parts or accessories sent directly to their homes (VISA, MasterCard and Discover cards are accepted). Order on-line today 24 hours every day. In the US: GEApplianceparts.com or by phone at 877.959.8688 during normal business hours.

Instructions contained in this manual cover procedures to be performed by any user. Other servicing generally should be referred to qualified service personnel. Caution must be exercised, since improper servicing may cause unsafe operation.

Contact Us

If you are not satisfied with the service you receive from GE Appliances, contact us on our Website with all the details including your phone number, or write to:

In the US: General Manager, Customer Relations | GE Appliances, Appliance Park | Louisville, KY 40225
GEAppliances.com/ge/service-and-support/contact.htm



Zoneline® CLIMATISEUR

INFORMATION DE SÉCURITÉ...3

UTILISATION DU ZONELINE

Panneau de commande.....	5
Direction du flux d'air.....	5
Retrait du couvercle côté pièce.....	5
Commande de la ventilation.....	5
Commandes auxiliaires.....	6
Thermostat distant.....	10
Air d'appoint.....	11

ENTRETIEN ET NETTOYAGE

Plateau de fond.....	12
Serpentins extérieurs.....	12
Couvercle côté pièce et boîtier.....	12
Filtre des événements de ventilation.....	13
Filtres à air.....	13

INSTRUCTIONS D'INSTALLATION

Avant de commencer.....	14
Remplacement d'un appareil existant... ..	15
Raccordement électrique.....	16
Installation du zoneline.....	19
Trousse de drainage en option.....	21

CONSEILS DE DÉPANNAGE....22

Bruits de fonctionnement normaux....	24
--------------------------------------	----

SOUTIEN AU CONSOMMATEUR

Inscription du propriétaire d'électroménager.....	25
Garantie.....	27
Soutien au Consommateur.....	28

MANUEL D'UTILISATION

AZ45

AZ65

Inscrivez les numéros de modèle
et de série ici :

No modèle _____

No série _____

Ces numéros figurent sur une
étiquette dans le haut de la
doublure interne vers le devant
de l'appareil.

NOUS VOUS REMERCIONS D'ACCUEILLIR GE APPLIANCES CHEZ VOUS

Que vous ayez grandi avec GE Appliances ou qu'il s'agisse de votre première acquisition, nous sommes heureux de vous accueillir dans notre famille.

Nous sommes fiers du savoir-faire, de l'innovation et de l'esthétique qui composent chaque appareil GE Appliances, et nous pensons que vous le serez aussi. Dans cette optique, nous vous rappelons que l'enregistrement de votre électroménager vous assure la communication de renseignements importants sur le produit et la garantie lorsque vous en avez besoin.

Enregistrez votre électroménager GE en ligne dès maintenant. Des sites Web et des numéros de téléphone utiles figurent dans la section Soutien au consommateur de ce manuel d'utilisation.

Vous pouvez aussi poster la fiche de garantie préimprimée incluse dans l'emballage.



GE APPLIANCES

CONSIGNES DE SÉCURITÉ IMPORTANTES

LISEZ TOUTES LES INSTRUCTIONS AVANT L'UTILISATION

AVERTISSEMENT

Pour votre sécurité, veuillez observer les consignes de ce manuel afin de réduire le risque d'incendie, d'explosion, de choc électrique, de dommages à la propriété ou de blessures, graves ou fatales.

MESURES DE SÉCURITÉ

- Avant son utilisation, ce climatiseur Zoneline doit être installé correctement en conformité avec les instructions d'installation. Consultez les instructions d'installation au dos de ce manuel.
- Remplacez immédiatement tous les cordons électriques usés ou autrement endommagés. Un cordon électrique endommagé ne doit pas être réparé, il doit être remplacé par un cordon neuf acquis auprès du fabricant. N'utilisez pas un cordon qui présente des fissures ou des marques d'abrasion sur sa longueur, sa fiche ou sa connexion.
- Débranchez le climatiseur Zoneline ou coupez le courant à la boîte de fusibles ou au disjoncteur avant d'effectuer une réparation.

REMARQUE: Nous recommandons vivement que les réparations soient effectuées par une personne qualifiée en la matière.

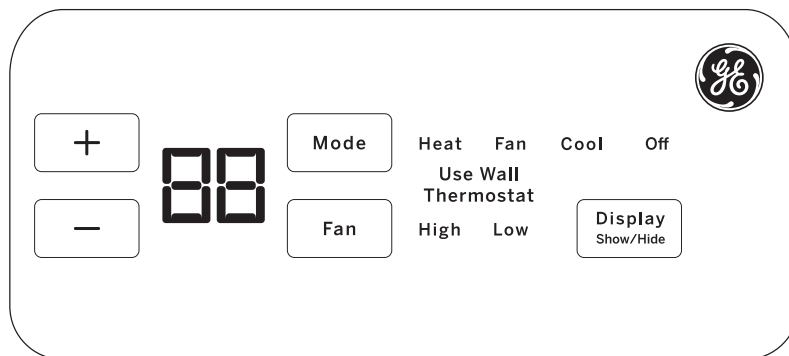
- Les outils, les équipements et les normes de sécurité utilisés par les entrepreneurs et les techniciens doivent être approuvés en fonction du fluide frigorigène dont le système de climatisation R410A du Zoneline est équipé. **N'UTILISEZ PAS d'équipements certifiés relativement au fluide frigorigène R22 seulement.**

Vous remplacez un climatiseur existant?

Pour de plus amples renseignements, veuillez consulter les instructions d'installation de ce manuel.

LIRE ET CONSERVER CES INSTRUCTIONS

Panneau de commande



Panneau de commande

La commande de température sert à maintenir la température ambiante. Le système s'allumera et s'éteindra en alternance pour garder la température ambiante au même degré de confort.

Appuyez sur la touche + pour élever la température.

Appuyez sur la touche – pour baisser la température.

REMARQUE : L'afficheur indique le réglage de température et non la température ambiante.

Commandes du ventilateur, du mode et du fonctionnement

FAN (Ventilateur) : Règle le fonctionnement du ventilateur à la vitesse **HIGH** (Haute) ou **LOW** (Basse).

MODE – COOL (Froid) : Pour refroidir.

FAN (Ventilateur) : Pour faire fonctionner le ventilateur seulement.

HEAT (Chaleur) : Pour réchauffer.

OFF (Arrêt) : Éteint l'appareil. L'alimentation électrique reste branchée au Zoneline. Les fonctions Freeze/Heat Sentinel (Sentinelle Gel/Chaleur) continuent de fonctionner si elles sont actives. Voir la section *Freeze/Heat Sentinel* à la page 8.

USE WALL THERMOSTAT (Utiliser le thermostat mural) : Ce voyant s'allume lorsque l'appareil est contrôlé par le thermostat mural. Voir la page 9 pour les détails.

Verrouillage du panneau de commande

On peut verrouiller le panneau de commande pour empêcher les usagers de changer le mode de fonctionnement de l'appareil.

Alors que l'appareil est dans le mode de fonctionnement désiré, maintenez une pression sur la touche DISPLAY SHOW/HIDE (Afficher/Dissimuler l'afficheur) pendant 10 secondes pour verrouiller le panneau de commande et le réglage choisi. Toute pression d'une touche par la suite fera clignoter (5 fois) le voyant du mode et la température verrouillée suivi d'un retour en sommeil.

Pour déverrouiller le panneau de commande et retourner au fonctionnement normal, appuyez sur DISPLAY SHOW/HIDE (Afficher/Dissimuler l'afficheur) pendant 10 secondes.

REMARQUE : L'affichage de la température clignotera si le panneau de commande est verrouillé (voir la section Verrouillage du panneau de commande).

REMARQUE : Lorsque l'on bascule entre les modes, le changement de fonctionnement peut prendre plusieurs minutes à compléter.

Récupération rapide de chaleur

Cette fonction s'active à chaque fois que le thermostat passe du mode OFF (Arrêt) ou COOL (Froid) au mode HEAT (Chaleur). Les éléments chauffants sont activés jusqu'à ce que le point de réglage du thermostat soit atteint. Sur les modèles qui en sont équipés, la thermopompe redémarrera au prochain appel de chaleur.

Au sujet de votre thermopompe (AZ65 seulement)

Les thermopompes peut faire économiser en captant la chaleur de l'air extérieur – même lorsque la température extérieure est sous le point de congélation – pour la libérer à l'intérieur.

Pour obtenir le meilleur rendement énergétique de votre thermopompe, ne modifiez pas le réglage du thermostat de la pièce de plus d'un degré à la fois. Augmenter la température de 2 ou 3 degrés obligera le Zoneline à utiliser ses éléments chauffants afin d'atteindre rapidement la température réglée.

Les éléments chauffants utilisent davantage d'électricité que les thermopompes et augmentent le coût de fonctionnement.

Le compresseur fonctionne un minimum de 3 minutes quel que soit le réglage afin de prévenir les cycles marche-arrêt courts.

Le ventilateur démarre avant le compresseur et s'arrête après que le compresseur cesse de fonctionner.

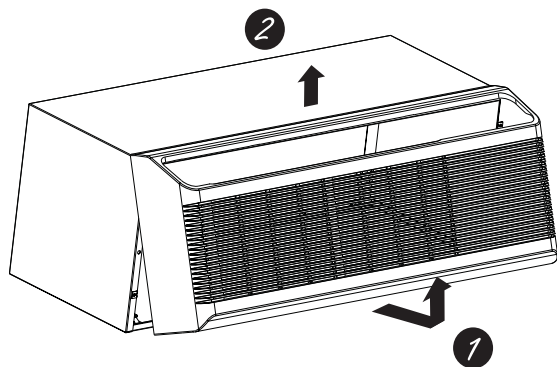
Lorsque la température extérieure tombe sous (-3,8 °C) 25 °F, la chaleur est fournie par les éléments chauffants plutôt que par la thermopompe.

Utilisation du Zoneline

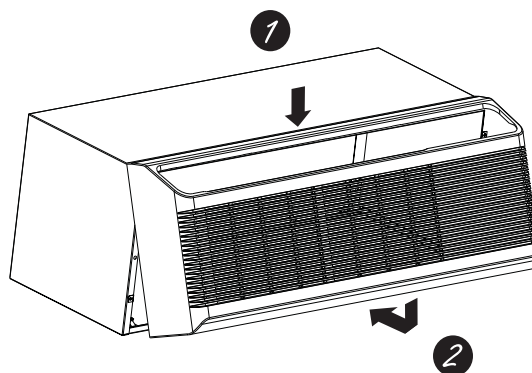
Retrait du couvercle côté pièce

Des commandes supplémentaires se trouvent derrière le couvercle côté pièce.

Pour retirer : Tirez sur le bas pour le dégager des languettes de retenue sur les côtés (1). Puis levez-le (2).

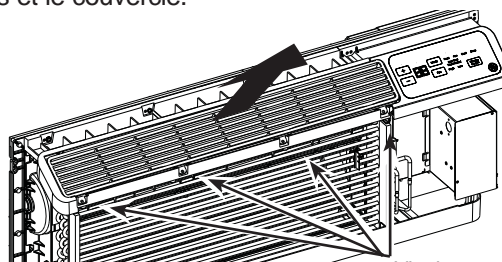


Pour remplacer : Alignez et placez le rail supérieur du couvercle au-dessus du châssis (1). Poussez vers l'intérieur dans le bas jusqu'à ce qu'il s'enclique en place (2).



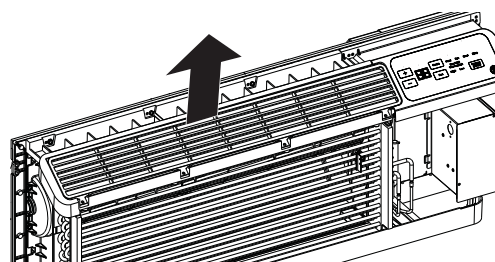
Direction du flux d'air

Pour changer la direction du flux d'air, retirez le couvercle côté pièce. Enlevez les 4 vis qui fixent le déflecteur. Faites pivoter le déflecteur de 180° puis remettez-le en place ainsi que les vis et le couvercle.



Orientation du déflecteur à la livraison
(flux d'air à 45° de l'horizontal)

Vis du
déflecteur



Modification de l'orientation du
déflecteur (flux d'air à 60° de
l'horizontal)

Levier de commande de la ventilation*

REMARQUE : Deux vis d'expédition doivent être retirées du panneau de l'évent avant l'utilisation. Consultez les instructions d'installation au dos de ce manuel. Si vous ne prévoyez pas utiliser la fonction de ventilation, laissez les deux vis en place.

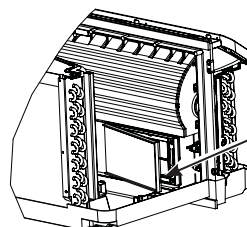
Le levier de commande de la ventilation est situé du côté inférieur gauche du Zoneline, derrière le couvercle côté pièce. Un écrou à oreille permet d'ajuster la position du levier.

En position fermée, seul l'air intérieur de la pièce est mis en circulation et filtré.

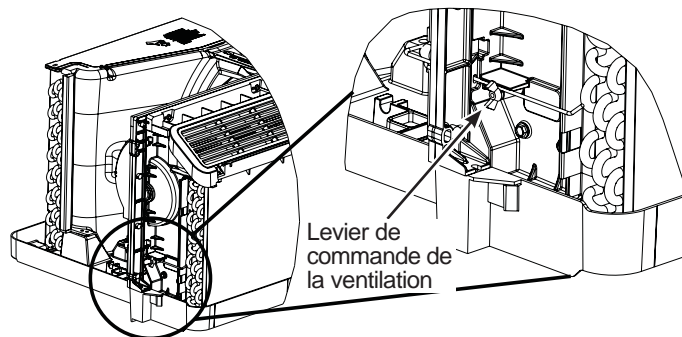
En position ouverte, une certaine quantité d'air extérieur sera admis dans la pièce. Cela réduira l'efficacité du réchauffement ou du refroidissement.

Conseil éconergétique : Gardez le levier de commande dans la position fermée pour empêcher l'air non conditionné de pénétrer dans la pièce.

*Absent du module d'air d'appoint



Enlever les vis
d'expédition (si la
fonction de ventilation
est désirée)



Levier de
commande de
la ventilation

Commandes auxiliaires de votre Zonline

Commandes auxiliaires – Bouton Aux Set (Réglages auxiliaires)

Bien que l'appareil soit pré-réglé selon la préférence de la plupart des consommateurs, ses réglages peuvent être modifiés au moyen du bouton Aux Set (Réglages auxiliaires) situé derrière le couvercle côté pièce, sous le panneau de commande.

Retirez le couvercle. Voyez la section *Retrait du couvercle côté pièce*.

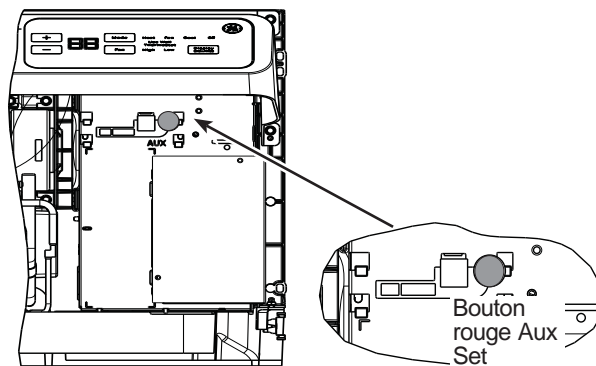
C'est la responsabilité du propriétaire de s'assurer que les commandes auxiliaires sont réglées tel que souhaité. Le bouton Aux Set permet de régler 9 modes différents.

Pour changer les paramètres de fonctionnement ou de réglage, allez d'abord à la commande Mode et éteignez (OFF) l'appareil. Appuyez ensuite sur le bouton **AUX SET** (Réglages auxiliaires), les lettres « AU » s'afficheront sur l'écran.

Appuyez sur la touche Mode du panneau de commande jusqu'à ce que le premier chiffre de l'affichage indique le numéro du mode que vous avez choisi et que le voyant HEAT/COOL (Chaleur/Froid) approprié soit allumé.

Appuyez sur le bouton +/- pour sélectionner le réglage de mode s'il y a lieu (indiqué par le deuxième chiffre de l'affichage).

Appuyez sur le bouton rouge **AUX SET** (Réglages auxiliaires) pour verrouiller la sélection et quitter le mode Aux Set.

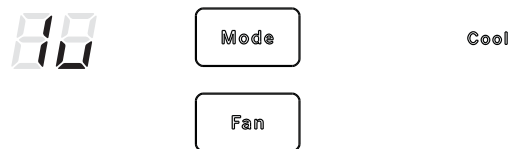


Press "Aux Set"		Press "Aux Set"		Press "Aux Set for Digital Makeup Air Mode"	
A First Digit	U Second Digit	A First Digit	U Second Digit	A First Digit	U Second Digit
Press "Mode"	Press +/-	Press "Mode"	Press +/-	Press "Mode"	Press +/-
1 Smart Fan 	U - Cycle / n - Continue	5 Temperature Limit 	U - Off / n - On (Cool/Heat)	0 Makeup Air Mode	U - Disable / n - Enable
2 Temperature Display	F / C	6 Class 2 Mode	U - Off / n - On (Cool/Heat)	1: 25CFM	4: 40CFM
3 Sentinel 	U - Off / n - On	7 Duct Mode	A - On (Auto Change Over)	2: 30CFM	5: 45CFM
4 Constant Fan	U - Off / n - On	8 All I2R Mode (AZ65 Only)		3: 35CFM	6: 50CFM
		9 Boost Heat (AZ65 Only)		E Makeup Air Occupancy	

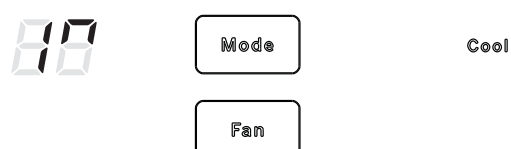
293D2203P002

MODE 1 Smart Fan—Cooling/Heating (Ventilateur intelligent – Froid/Chaleur)

Appuyez sur **MODE** jusqu'à ce que « 1 » soit le premier chiffre de l'affichage pour le mode **Smart Fan - Cool** (Vent. Intell. – Froid). Le voyant COOL du panneau de commande s'allumera. Pour changer le mode Chaleur, appuyez sur **MODE** de nouveau. Le voyant **HEAT** du panneau de commande s'allumera.



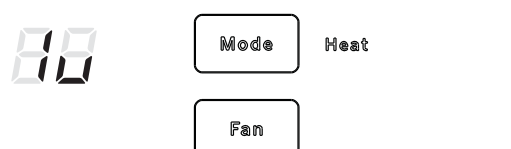
Appuyez sur la touche « - » pour allumer-éteindre en alternance le ventilateur intérieur dans le mode Chaleur ou Froid sélectionné [□].



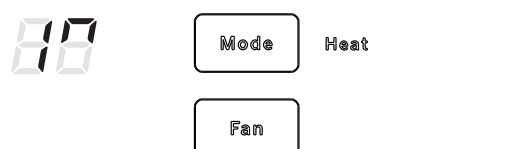
Appuyez sur la touche « + » pour faire fonctionner le ventilateur intérieur en continu dans le mode Chaleur ou Froid sélectionné [□].

Appuyez sur **AUX SET** pour confirmer votre sélection et quitter le mode **AUX SET**, ou appuyez sur **MODE** pour poursuivre le réglage d'autres fonctions.

Le réglage par défaut pour le Mode 1 est le suivant :
Cooling (Froid) : Continuous (ON) / Continu (Marche)
Heating (Chaleur) : Cycle (OFF) / Cyclique (Arrêt)



***REMARQUE :** En mode Froid cyclique, le ventilateur intérieur s'activera à l'occasion pour vérifier la température de l'air ambiant. En mode Chaleur cyclique, le ventilateur continue de fonctionner pendant plusieurs secondes après l'arrêt de la fonction Chaleur afin d'augmenter l'efficacité de l'appareil.



Commandes auxiliaires de votre Zonline

MODE 2 Fahrenheit / Celsius

Cette fonction permet de basculer les unités de température entre Fahrenheit et Celsius sur l'affichage.

Appuyez sur MODE jusqu'à ce que « 2 » soit le premier chiffre de l'affichage pour le mode Fahrenheit/Celsius.

Appuyez sur la touche « - » pour sélectionner Celsius ou sur « + » pour Fahrenheit. Le deuxième caractère indiquera « F » pour Fahrenheit ou un « C » pour Celsius selon la sélection.

Le réglage par défaut du Mode 2 est Fahrenheit.


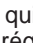
88
° F

88
° C

MODE 3 Freeze Sentinel/Heat Sentinel (Sentinelle Gel/Sentinelle Chaleur)

Lorsque l'appareil est sous tension et l'option **Freeze Sentinel** (Sentinelle Gel) sélectionnée, le Zonline fournira de la chaleur automatiquement sans interface utilisateur. Cela prévient de possibles dommages à la plomberie en mettant l'élément chauffant et le ventilateur intérieur à ON (Marche) à 5 °C (41 °F) puis à OFF (Arrêt) une fois que la température de la pièce atteint 7,8 °C (46 °F).

Lorsque **Heat Sentinel** est activé, l'appareil fournit automatiquement de l'air froid sans interface utilisateur. Cela prévient la surchauffe de la pièce en mettant le climatiseur à ON (Marche) à 29,4 °C (85 °F) puis à OFF (Arrêt) une fois que la température de la pièce atteint 26,7 °C (80 °F).

Appuyez sur **MODE** jusqu'à ce que « 3 » soit le premier caractère de l'affichage pour le mode **Freeze Sentinel** (Sentinelle Gel). Le voyant **COOL** sur le panneau de commande s'allumera. Appuyez sur **MODE** de nouveau pour passer à **Heat Sentinel**. Le voyant **HEAT** sur le panneau de commande s'allumera. Appuyez sur la touche « - » pour **OFF** [] ou la touche « + » pour **ON** []. Cela apparaîtra comme le deuxième caractère de l'affichage. Appuyez sur **AUX SET** (Réglages auxiliaires) pour verrouiller la sélection, et quitter le mode **AUX SET**, ou appuyez sur **MODE** pour continuer le réglage d'autres fonctions.

Dans le réglage par défaut du Mode 3, **Heat Sentinel** est à Off et **Freeze Sentinel** à On.

REMARQUE : Ces fonctions sont actives dès le branchement de l'appareil dans une prise, même si l'appareil est hors tension (Off).

88

Sentinelle Gel OFF

Mode

Cool

Fan

88

Sentinelle Gel ON

Mode

Cool

Fan

88

Sentinelle Chaleur OFF

Mode

Heat

Fan

88

Sentinelle Chaleur ON

Mode

Heat

Fan

MODE 4 Constant ON Fan (Ventilateur constamment en marche)

Appuyez sur **MODE** jusqu'à ce que le caractère « 4 » soit le premier caractère de l'affichage pour faire tourner le ventilateur continuellement à haute vitesse, même si l'appareil est à Off (Arrêt).

Appuyez sur la touche « - » pour **OFF** [] ou sur la touche « + » pour **ON** []. Cela apparaîtra comme le deuxième caractère de l'affichage.

Appuyez sur **AUX SET** (Réglages auxiliaires) pour verrouiller la sélection et quitter le mode **AUX SET**, ou appuyez sur **MODE** pour continuer le réglage d'autres fonctions.

Le réglage par défaut du Mode 3 est **OFF** (Arrêt).

40

Ventilateur continu
OFF (Arrêt)

40

Ventilateur continu
ON (Marche)

Commandes auxiliaires de votre Zoneline

MODE 5 Temperature Limiting (Limitation de la température)

La limitation de la température est une fonction qui réduit les coûts énergétiques en limitant la température la plus basse qu'on peut atteindre par refroidissement et la plus haute par réchauffement.

Appuyez sur **MODE** jusqu'à ce que le caractère « 5 » soit le premier caractère de l'affichage pour le mode **Temperature Limiting – Cool** (Limitation de température – Froid). Le voyant **COOL** (Froid) sur le panneau de commande s'allumera. Pour changer le mode Heat, appuyez sur **MODE** de nouveau et le voyant **HEAT** (Chaleur) sur le panneau de commande s'allumera.

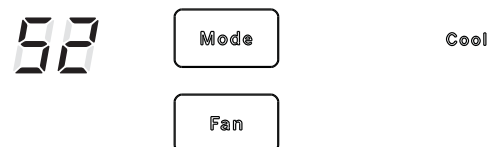
Pour régler les limites de température, appuyez sur la touche « - » ou « + ». Le deuxième caractère de l'affichage sera entre 0 et 7 selon la limite souhaitée. Le tableau indique les limites possibles. Appuyez sur **AUX SET** (Réglages auxiliaires) pour verrouiller la sélection et quitter le mode **AUX SET**, ou appuyez sur **MODE** pour continuer le réglage d'autres fonctions.

Limites de température – Froid	Limites de température - Chaud
0 = 60°F à 85°F	0 = 60°F à 65°F
1 = 64°F à 85°F	1 = 60°F à 70°F
2 = 66°F à 85°F	2 = 60°F à 72°F
3 = 68°F à 85°F	3 = 60°F à 74°F
4 = 70°F à 85°F	4 = 60°F à 76°F
5 = 72°F à 85°F	5 = 60°F à 78°F
6 = 74°F à 85°F	6 = 60°F à 80°F
7 = 76°F à 85°F	7 = 60°F à 85°F

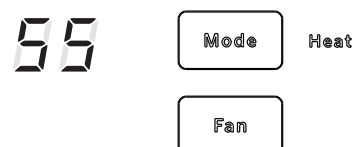
Le réglage par défaut du Mode 5 est le suivant :

Cool (Froid) : 2 (66 °F à 85 °F)

Heat (Chaleur) : 5 (60 °F à 78 °F)



Limite de température (Froid) – Limite 2



Limite de température (Chaleur) – Limite 5

MODE 6 Use Wall Thermostat (Utiliser le thermostat mural)

Le réglage de ce mode à ON permet à l'appareil de fonctionner avec un thermostat mural distant de classe 2.

Appuyez sur **MODE** jusqu'à ce que le caractère « 6 » soit le premier caractère de l'affichage pour le mode **Classe 2**.

Appuyez sur la touche « + » pour mettre l'option à ON " □ " dans le cas des thermostats « climatisation/chauffage standard ». Appuyez sur la touche « + » de nouveau pour mettre l'option à ON " H " dans le cas d'un thermostat à basculement automatique (Auto Change Over). Vous pouvez appuyer sur la touche « - » pour retourner au réglage précédent. **X SET** (Réglages auxiliaires) pour verrouiller la sélection et quitter le mode **AUX SET**, ou appuyez sur **MODE** pour continuer le réglage d'autres fonctions.

Le réglage par défaut du Mode 6 est OFF (Arrêt).

Lorsque ce mode est activé, l'affichage indique « Use Wall Thermostat » (Utiliser le thermostat mural) à la pression de n'importe quelle touche.



MODE 7 Duct Mode (Mode Conduit)

Ce réglage est utilisé lorsque l'appareil est installé avec une trousse d'adaptateur de conduit. Si l'appareil est relié à des conduits, le mode Duct Mode doit être réglé à ON (Marche). Cela augmentera la vitesse du ventilateur pour une circulation d'air appropriée.

Appuyez sur **MODE** jusqu'à ce que « 7 » soit le premier caractère de l'affichage. Appuyez sur la touche « + » ou « - » pour mettre ce commutateur à OFF [□] ou ON [H]. Cela apparaîtra comme le deuxième caractère de l'affichage. Appuyez sur **AUX SET** (Réglages auxiliaires) pour verrouiller la sélection et quitter le mode **AUX SET**.

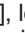
Pour le modèle AZ65, appuyez sur **MODE** pour continuer le réglage d'autres fonctions. Appuyez sur **MODE** pour le modèle AZ45 vous retournera au mode **AUX SET** et « AU » apparaîtra sur l'affichage.



Le réglage par défaut du Mode 7 est OFF (Arrêt).



Commandes auxiliaires de votre Zoneline

MODE 8 All-Electric Heat (AZ65 only) [(Chauffage tout électrique) (AZ65 seulement)]

Cette option de chauffage électrique n'est compatible qu'avec le modèle AZ65. Lorsque cette option est à ON [], le fonctionnement de la thermopompe est bloqué de sorte que l'appareil ne fournit que du chauffage électrique.

Pour régler l'option **All-Electric Heat** (Chauffage tout électrique), appuyez sur **MODE** jusqu'à ce que le caractère « 8 » soit le premier caractère de l'affichage. Appuyez sur la touche « + » ou « - » pour mettre ce commutateur à OFF [] ou ON []. Cela apparaîtra comme le deuxième caractère de l'affichage.

Appuyez sur **AUX SET** (Réglages auxiliaires) pour verrouiller la sélection et quitter le mode **AUX SET**, ou appuyez sur **MODE** pour continuer le réglage d'autres fonctions.

88



Chauffage
tout électrique
OFF

88

Chauffage
tout électrique
ON

MODE 9 Heat Boost (AZ65 only) [(Chaleur supplémentaire) (AZ65 seulement)]

Lorsque **Heat Boost** (Chaleur supplémentaire) est à ON et que les températures extérieures se situent entre 3,9 °C (25 °F) et 7,8 °C (46 °F), de la chaleur électrique supplémentaire est fournie à la thermopompe pour maintenir une température ambiante constante et confortable.

Pour régler l'option **Heat Boost** (Chaleur supplémentaire), appuyez sur **MODE** jusqu'à ce que le caractère « 9 » soit le premier caractère de l'affichage. Appuyez sur la touche « + » ou « - » pour mettre ce commutateur à OFF [] ou ON []. Cela apparaîtra comme le deuxième caractère de l'affichage. Appuyez sur **AUX SET** (Réglages auxiliaires) pour verrouiller la sélection et quitter le mode **AUX SET**.

Le réglage par défaut du Mode 9 est OFF (Arrêt).

98


Chaleur
supplémentaire
OFF

98



Chaleur
supplémentaire
ON

MODE 0 Vitesse de ventilateur du module d'air d'appoint numérique

Appuyez sur **MODE** jusqu'à ce que 0 soit le premier caractère de l'affichage pour le mode Air d'appoint numérique. Pour éteindre le module ou changer les vitesses de ventilateur, appuyez sur la touche « + » ou « - ». « 00 » indique que le module est éteint, « 01 » = module allumé avec ventilateurs réglés à 25 pi³/min, « 02 » = module allumé avec ventilateurs réglés à 30 pi³/min, etc.

Le réglage par défaut du Mode 0 est « activé » (ON) avec vitesse de ventilateur de 35 pi³/min “  ”

MODE E Détection d'occupation du module d'air d'appoint numérique

Pour activer la détection d'occupation, appuyez sur **MODE** jusqu'à ce que « E » soit le premier caractère d'affichage. Appuyez sur la touche « + » ou « - » pour régler la détection d'occupation à OFF “  ” ou ON “  ”.

Le réglage par défaut du Mode E est OFF “  ”.

Commandes auxiliaires de votre Zoneline

Commandes auxiliaires – Bornes de raccordement

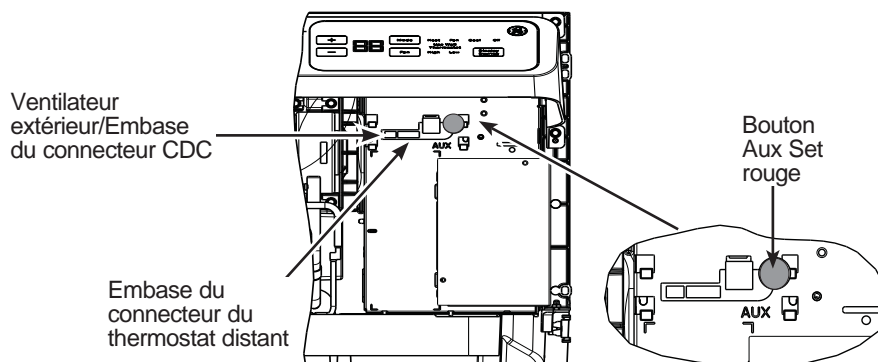
Les embases des connecteurs de bornes pour les commandes auxiliaires sont situées derrière le couvercle côté pièce, sous le couvercle d'accès.

1. Mettez l'appareil hors tension et débranchez-le
2. Retirez le couvercle côté pièce. Voyez la section Retrait du couvercle côté pièce.
3. Pour connecter les fils, insérez les connecteurs dans les bornes correspondantes sur la boîte de commande.
4. Une fois que toutes les raccordements souhaités sont réalisés, remplacez le couvercle d'accès et le couvercle côté pièce.

Le propriétaire est responsable de réaliser tous les raccordements et le réglage du mode AUX SET approprié.

AVIS :

Un raccordement de fils incorrect peut endommager l'électronique du Zoneline. Il est interdit d'utiliser une barre omnibus, cela pourrait causer des dommages ou rendre le fonctionnement irrégulier. Une paire de fils distincte doit être acheminée depuis chaque commutateur distinct jusqu'à chaque appareil Zoneline.



Ventilateur extérieur (Installation sur site)

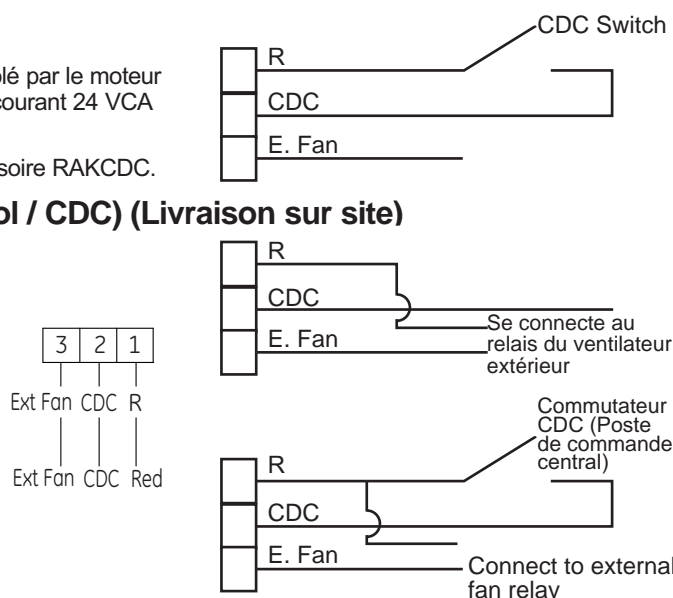
Une fois branché, un ventilateur auxiliaire ou extérieur peut être contrôlé par le moteur du ventilateur intérieur du Zoneline. Les raccordements procurent un courant 24 VCA pour alimenter un relais distant.

Un ventilateur extérieur implique obligatoirement l'utilisation de l'accessoire RAKCDC.

Poste de commande central (Central Desk Control / CDC) (Livraison sur site)

La fonction de poste de commande central permet d'activer ou désactiver l'appareil depuis un endroit distant. L'activation de cette fonction nécessite de connecter un commutateur ON-OFF (Marche-Arrêt) sur le site distant à deux bornes CDC sur le panneau de commande du Zoneline. Lorsque le commutateur distant est FERMÉ, l'appareil ne peut pas fonctionner dans les modes Ventilateur, Froid ou Chaleur par le panneau de commande. Les fonctions Sentinelle du gel et Sentinelle de chaleur demeurent utilisables. Lorsque le commutateur distant est Ouvert, l'appareil est pleinement utilisable par le panneau de commande.

* Il faut garder à l'esprit que le poste de commande centrale (CDC) ne peut pas être utilisé sur les modèles DBM et EBM lorsque la détection d'occupation est activée.



Commandes auxiliaires de votre Zoneline

Thermostat distant

Les connecteurs du thermostat distant sont inclus avec chaque Zoneline.

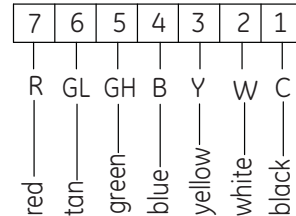
Les appareils reliés à un thermostat distant fonctionnent différemment puisque la mesure de la température de l'air intérieur passe de l'appareil au thermostat. Le tableau suivant indique le fonctionnement de l'appareil relié à un thermostat distant.

IMPORTANT : Les raccordements du thermostat Zoneline procurent du courant 24 VCA seulement.

Si l'on utilise un thermostat mural numérique/électronique, il faut le régler pour un courant de 24 VCA. Voyez la rubrique sur le thermostat mural dans la section Instructions d'installation.

AVIS :

Un dommage au thermostat mural ou à l'électronique du Zoneline peut résulter de raccordements erronés. Le raccordement des fils nécessite un soin particulier. Aucun raccordement à la tension de secteur ne doit être effectué sur quelque circuit que ce soit. Isolez tous les fils du bâtiment de la tension de secteur.



Fonction	Thermopompe	Chauffage électrique
Contrôle du gel intérieur	Oui	Oui
Sentinelle du gel	Oui	Oui
Limation de température électronique	Non	Non
Passage au chauffage par résistance selon la température intérieure	Déterminé par le thermostat distant	S/O
Passage au chauffage par résistance selon la température extérieure	Oui	S/O
Dégel en cycle inversé	Oui	S/O
Chauffage par résistance partiel et par thermopompe simultanément	Oui	S/O
Blocage du chauffage par résistance	Oui	S/O
Cyclage de la « ventilation intelligente »	Fonction Ventilateur MARCHE/AUTO réglée sur thermostat distant	Fonction Ventilateur MARCHE/AUTO réglée sur thermostat distant
Poste de commande central	Oui	Oui

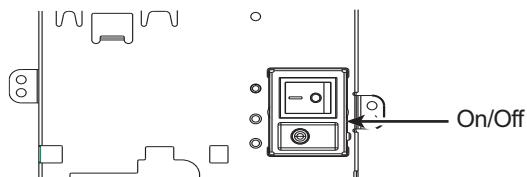
REMARQUE : Le réglage du mode Classe 2 (Mode 6) doit être réglé à ON [Γ] pour que l'appareil fonctionne avec un thermostat mural distant de classe 2. (Voir les instructions d'installation fournies avec le thermostat et les instructions sur ce mode à la page 8.)

Modèles avec air d'appoint (pas sur tous les appareils)

Le système de ventilation avec air d'appoint est conçu pour fournir de l'air extérieur en continu par la porte d'évent jusque dans la pièce. En plus de procurer de l'air frais, il déshumidifie l'air entrant lorsque son humidité relative est supérieure à 55 %.

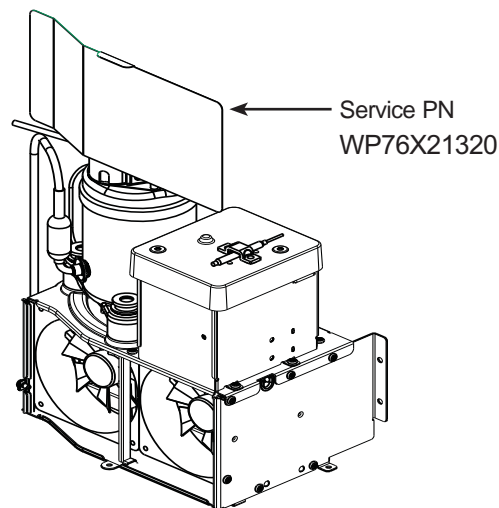
*Modèles DAM

Le système de ventilation avec air d'appoint est commandé par un interrupteur situé sur le devant du couvercle de commande électrique sous le devant côté pièce du Zoneline. Le système s'allume et s'éteint par une pression du bouton ON (I) / OFF (O) comme illustré.



Dans le cas où le Zoneline doit fonctionner en tant que PTAC (chauffage électrique) ou PTHP (thermopompe) seulement, les étapes suivantes doivent être observées :

1. Commandez la pièce no WP76X21320.
2. Débranchez le Zoneline.
3. Retirez le couvercle côté pièce.
4. Éteignez le système de ventilation en pressant le bouton Marche/Arrêt à la position (O) (voir l'illustration ci-dessus pour son emplacement).
5. Tirez le Zoneline de son logement mural et posez la pièce no WP76X21320 comme illustré.
6. Poussez le Zoneline dans son logement mural et rétablissez l'alimentation électrique à l'appareil.

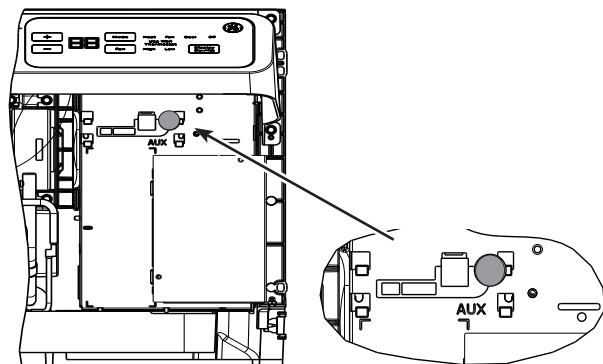


*Modèles DBM et EBM

Le système de ventilation avec air d'appoint est commandé au moyen du menu auxiliaire du Zoneline (voir la section Commandes auxiliaires). Pour allumer ou éteindre le système, suivez les instructions ci-dessous :

1. Retirez le couvercle côté pièce.
2. Appuyez sur le bouton de réglage de mode et éteignez l'appareil.
3. Appuyez sur le bouton AUX SET (Réglages auxiliaires) (« AU » apparaît sur l'afficheur).
4. Pour éteindre le module d'air d'appoint, appuyez sur le bouton de réglage de mode jusqu'à ce que « 0 » soit le premier caractère d'affichage.
5. Appuyez sur le caractère « - » du panneau de commande jusqu'à voir apparaître « 00 » afin d'éteindre le module d'air d'appoint.
6. Le système est préréglé à l'usine à 35 pi³/min. Pour changer cette valeur, appuyez sur « + » ou « - » pour obtenir la vitesse de ventilateur désirée : 1 = 23 pi³/min, 2 = 30 pi³/min, 3 = 35 pi³/min, 4 = 40 pi³/min, 5 = 45 pi³/min et 6 = 50 pi³/min.
7. Appuyez sur le bouton Aux rouge de nouveau pour retourner au fonctionnement normal.

3. Retirez le couvercle côté pièce.
4. Éteignez le module d'air d'appoint selon les instructions ci-dessus.
5. Tirez le Zoneline de son logement mural et posez la pièce no WP76X21320 comme illustré.
6. Poussez le Zoneline dans son logement mural et rétablissez l'alimentation électrique à l'appareil.



Dans le cas où le Zoneline doit fonctionner en tant que PTAC (chauffage électrique) ou PTHP (thermopompe) seulement, les étapes suivantes doivent être observées :

1. Commandez la pièce no WP76X21320.
2. Débranchez le Zoneline.

REMARQUE: Les appareils avec appoint d'air numériques effectuent une vérification du système au démarrage, lors des cycles marche-arrêt et une fois à tous les 7 jours si l'appareil est en mode d'occupation. La vérification du système dure environ 45 secondes. Pendant ce temps, les ventilateurs accélèrent, ralentissent, puis atteignent le point de réglage.

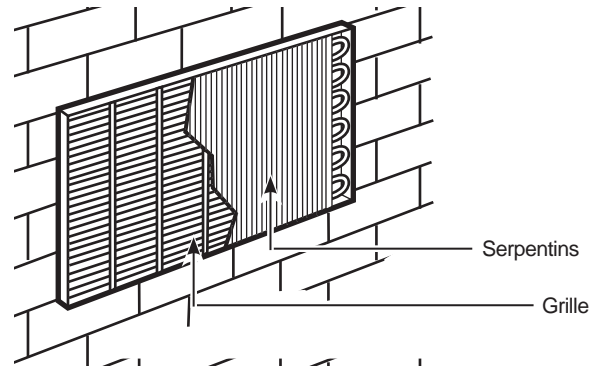
Couvercle côté pièce et boîtier

Éteignez le Zoneline et débranchez l'alimentation électrique.

Pour nettoyer, utilisez une solution d'eau et de détergent doux. N'utilisez ni javellisant ni abrasifs. Certains nettoyeurs du commerce peuvent endommager les composants en plastique.

Serpentins extérieurs

Les serpentins situés du côté extérieur du Zoneline doivent être inspectés régulièrement. S'ils sont obstrués par de la saleté ou de la suie, il faut employer une méthode de nettoyage à basse ou sans pression. Assurez-vous que les zones et les composants électriques sont protégés pendant le nettoyage. Vous devez retirer l'appareil de son logement mural pour inspecter les serpentins. L'accumulation de saleté se produit du côté ventilateur des serpentins extérieurs.



Nettoyez les serpentins extérieurs régulièrement.

Plateau de fond

Dans certaines installations, de la saleté ou d'autres débris peuvent être soufflés dans l'appareil depuis l'extérieur et se déposer dans le plateau de fond (dans le bas de l'appareil).

Dans certaines régions, une substance à l'aspect de gel ou de vase peut apparaître naturellement dans le plateau de fond

Procédez à une inspection régulièrement et nettoyez s'il y a lieu.

Sur les modèles de la série 4500, ne retirez pas le bouchon d'évacuation en caoutchouc du plateau. Sinon, de l'eau excédentaire peut s'écouler à l'extérieur.

Filtre des événements de ventilation

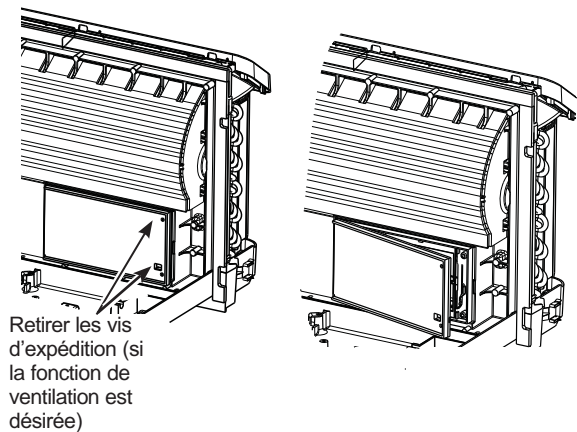
Si le panneau à événements est ouvert, nettoyez le filtre des événements deux fois l'an ou au besoin. Pour y accéder, il faut retirer l'appareil de son logement mural.

Éteignez le Zoneline et débranchez-le avant de le retirer et le nettoyer.

Pour nettoyer le filtre des événements :

IMPORTANT: Ce filtre n'est pas amovible. Tenter de le retirer endommagera l'appareil.

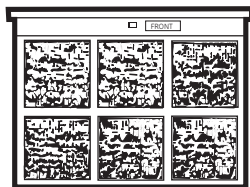
- Utilisez un aspirateur pour retirer les particules du filtre.
- Après l'aspirateur, utilisez un chiffon humide pour essuyer le filtre et alentour.



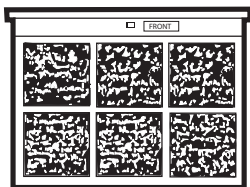
ENTRETIEN ET NETTOYAGE

Pour maintenir un rendement optimal, nettoyez les filtres tous les 30 jours au minimum.

Filtres à air



Filtre sale – Nécessite un nettoyage



Filtre obstrué – Restreint fortement le refroidissement, le chauffage et la circulation d'air.

Éteignez le Zoneline avant le nettoyage.

Le geste le plus important que vous pouvez faire pour maintenir le Zoneline en état est de nettoyer le filtre tous les 30 jours au minimum. Les filtres obstrués gênent le refroidissement, le chauffage et la circulation d'air.

Garder ces filtres propres procure les avantages suivants :

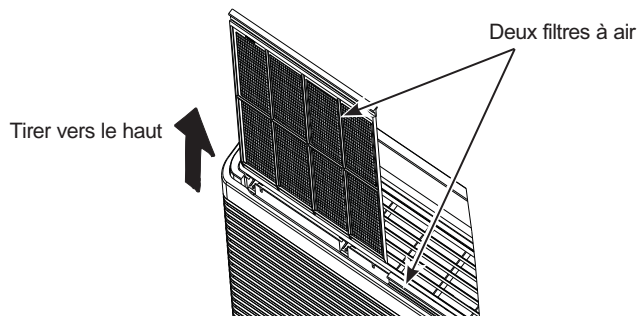
- Abaisse le coût de fonctionnement.
- Économise l'énergie.
- Préviend l'obstruction des serpentins de l'échangeur de chaleur.
- Réduit le risque de défaillance prématurée des composants.

Pour nettoyer les filtres à air :

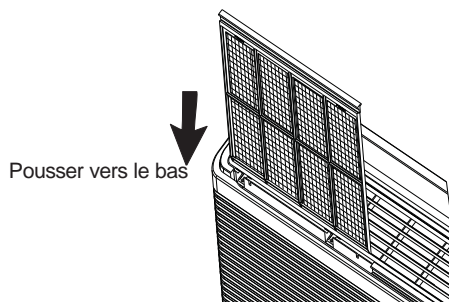
- Évacuez les grosses particules à l'aspirateur.
- Faites circuler de l'eau à travers le dos des filtres.
- Séchez les filtres à fond avant de les replacer.

REMARQUE : Les filtres à air sont interchangeables et se poseront du côté droit ou gauche.

Pour retirer les filtres à air :



Pour replacer les filtres à air :



AVIS :

Ne faites pas fonctionner le Zoneline sans les filtres en place. Si un filtre devient déformé ou endommagé, remplacez-le immédiatement.

Le fonctionnement sans filtres en place ou avec des filtres endommagés permettra à la saleté et la poussière d'atteindre les serpentins intérieurs et gênera ainsi le refroidissement, le réchauffement, la circulation d'air et l'efficacité de l'appareil.

Vous pouvez vous procurer des filtres de rechange auprès de votre représentant, votre concessionnaire GE, du Centre de réparation et de pièces GE ou des réparateurs autorisés Customer Care®.

Instructions d'installation

Questions? Composez le 844-GE4-PTAC (ou 844-434-7822) ou visitez notre site Web sur : GEAppliances.com

AVANT DE COMMENCER

Veillez lire ces instructions avec attention et en entier.

- **IMPORTANT** — Conservez ces instructions pour l'inspecteur local.
- **IMPORTANT** — Observez tous les codes et règlements en vigueur.
- **Note pour l'installateur** — Assurez-vous de remettre ces instructions au propriétaire.
- **Note pour le propriétaire** — Conservez ces instructions pour vous y référer ultérieurement.
- Il est de la responsabilité de l'installateur de procéder à une installation correcte.
- La garantie ne couvre pas une défaillance du produit résultant d'une installation incorrecte.

PÉRIODE DE RODAGE DU CLIMATISEUR

REMARQUE : Comme pour tout mécanisme doté de pièces mobiles, cet appareil passera par une période de rodage. **APRÈS L'INSTALLATION**, cet appareil doit fonctionner pendant 48 heures pour atteindre un rendement optimal.

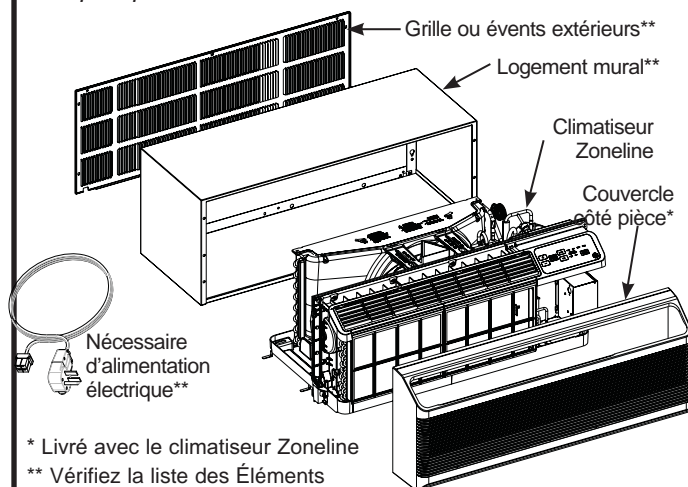
OUTILS REQUIS



Tournevis à tête étoilée et tournevis à douille 5/16 po

COMPOSANTS ZONELINE

L'aspect peut varier.



* Livré avec le climatiseur Zoneline

** Vérifiez la liste des Éléments essentiels de l'appareil située à l'avant du plateau de fond.

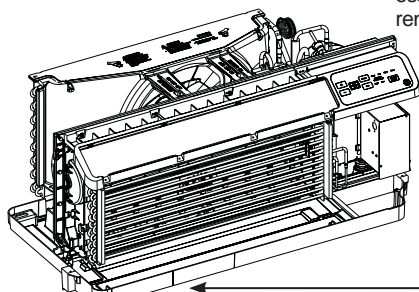
CONSIGNES DE SÉCURITÉ ÉLECTRIQUE IMPORTANTES – LIRE ATTENTIVEMENT

⚠ ATTENTION

- Suivez le Code national de l'électricité (CNE) ou vos ordonnances et codes locaux.
- Pour votre sécurité personnelle, ce Zoneline doit être bien mis à la terre.
- Les appareils protecteurs (fusibles ou disjoncteurs) acceptables pour installer votre Zoneline sont indiqués sur la plaque signalétique de chaque appareil.
- N'utilisez jamais de rallonge électrique avec cet appareil.
- Les fils de bâtiment en aluminium peuvent poser des problèmes particuliers—consultez un électricien qualifié.
- Quand votre appareil est en position OFF (arrêt), il reste de la tension dans les commandes électriques.
- Débranchez le courant de votre appareil avant de l'entretenir ou de le réparer en:
 1. Enlevant le cordon d'alimentation (le cas échéant) de la prise murale. **OU**
 2. Enlevant les fusibles du circuit de dérivation ou en débranchant les disjoncteurs de dérivation au panneau.

Instructions d'installation

REPLACEMENT D'UN APPAREIL EXISTANT



Lisez l'étiquette Éléments essentiels qui comporte des renseignements importants.

Utilisez le logement mural approprié

Cet appareil est conçu pour s'installer dans un logement mural en métal isolé ou en plastique de GE Appliances. Cela minimise la formation de condensation sur le côté pièce du logement.

REMARQUE : Plusieurs trous supplémentaires se trouvent sur les rebords latéraux de l'appareil pour l'installation de logements muraux autres que GE Appliances. Pour éviter d'endommager l'isolant aux rebords, l'installateur doit utiliser un poinçon ou un autre outil pointu pour percer l'isolant dans les trous appropriés avant de poser les vis de fixation.

Utilisez la grille extérieure appropriée

Vous devez utiliser les grilles extérieures qui figurent sur l'étiquette Éléments essentiels située dans le plateau de fond.

- L'omission de remplacer une grille existante causera une réduction de la capacité et de l'efficacité et ainsi un possible fonctionnement incorrect ou défaillant de l'appareil. On peut utiliser la trousse de déflecteurs RAK40 avec les grilles qui n'ont pas été conçues pour votre nouveau Zoneline de GE Appliances. Le RAK40 contient des déflecteurs d'air et des joints d'étanchéité qui se montent sur l'appareil pour diriger l'air d'échappement chaud à l'écart de l'air d'admission afin de permettre le bon fonctionnement de l'appareil. **La grille doit présenter une superficie libre d'au moins 65 % (selon les calculs de l'ASHRAE).** Consultez le manuel de données d'architectes et d'ingénieurs pour de plus amples renseignements.
- Les déflecteurs verticaux d'une grille existante autre que GE Appliances doivent être retirés pour diminuer la recirculation de l'air du condensateur pouvant causer un cyclage trop court de l'appareil et mener à une défaillance prématurée des composants.

Utilisez le cordon d'alimentation approprié

Les codes locaux peuvent exiger d'utiliser des dispositifs de détection d'arc ou de fuite de courant dans des installations 230/208 volts.

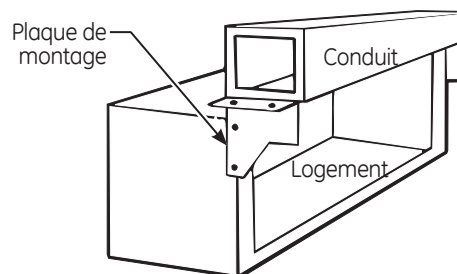
Remplacement d'un appareil canalisé

Nouvelle installation canalisée :

If this unit is to be installed in a new ducted application using a duct adapter kit, the kit must be installed before the unit is placed in the wall case. The installation instructions are packed with the kit.

Trousses d'adaptateur de conduit offertes :

RAK6053
RAK601B/602B



Installation canalisée existante :

Replacement of an existing ducted unit may require different components. Request this information from your sales representative. **Duct seals on existing unit need to be removed and added to the new unit.**

- **Remplacement des appareils 230/208 volts :**
Voir page 18.

- **Remplacement des appareils 265 volts :**
Voir page 19.

Lors de l'utilisation de la trousse d'adaptateur de conduit, vous devez toujours mettre le Mode 7 à ON [□]. Voir les instructions sur les modes à la page 10.

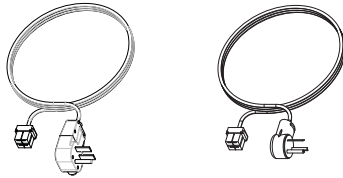


Mode Duct (Conduit)
illustré à ON

OPTIONS DE RACCORDEMENT ÉLECTRIQUE 230/208 VOLTS

RACCORDEMENT DU CORDON D'ALIMENTATION

Selon l'application, il faut utiliser une trousse de cordon d'alimentation avec dispositif LCDI (Détection et interruption de fuite de courant) pour alimenter le climatiseur Zoneline. La trousse appropriée est déterminée par la valeur du courant, la méthode de raccordement électrique et l'intensité du courant du circuit de dérivation.



Trousse de cordon d'alimentation
(L'aspect peut varier)

Le raccordement à des circuits 208 ou 230 volts peut se faire à l'aide d'une trousse de cordon d'alimentation ou d'une trousse de boîte de jonction.

Tout le câblage, y compris l'installation de la prise, doit être conforme avec les normes, codes et règlements nationaux et locaux. Les codes exigent l'utilisation d'un dispositif de détection d'arc et de fuite de courant sur le cordon d'alimentation sauf en cas de raccordement direct. Assurez-vous de choisir le cordon approprié pour votre installation.



Tandem
15 Ampères



Perpendiculairer
20 Ampères



Tandem grand
30 Ampères

Configuration des prises pour circuits 230/208 volts

Circuit de dérivation et appareil (ampères)	Cordon d'alimentation GE approprié avec dispositif LCDI
15	RAK315P
20	RAK320P
30	RAK330P

Les cordons d'alimentation peuvent être dotés d'un dispositif de détection et d'interruption d'arc et de fuite de courant. Un bouton de test et de réinitialisation est présent sur le boîtier de la fiche ou le boîtier en série. Le dispositif doit être vérifié régulièrement en appuyant sur le bouton TEST puis sur le bouton RESET.

RACCORDEMENT PAR SOCLE ÉLECTRIQUE

Le raccordement des modèles 230/208 volts peut s'effectuer à l'aide d'un des socles électriques suivants :

Circuit de dérivation et appareil (ampères)	Socle électrique GE Appliances approprié
15	RAK204D15C
20	RAK204D20C
30	RAK204D30C

Les socles électriques procurent une enceinte pour le branchement direct ou les prises encastrées. Une trousse de socle électrique comprend un cordon d'alimentation.

Les instructions fournies avec la trousse de socle électrique choisie doivent être observées rigoureusement. Il est de la responsabilité de l'installateur de s'assurer que la connexion des composants s'effectue en conformité avec ces instructions et tous les codes électriques.

Si l'on effectue un raccordement par socle électrique, la boîte de jonction RAK4002C est aussi nécessaire pour compléter l'installation.

RACCORDEMENT DIRECT

Commandez une des trousse suivantes pour un raccordement direct à un courant de 230/208 volts :

Circuit de dérivation et appareil (ampères)	Trousse de raccordement direct
15	RAK315D
20	RAK320D
30	RAK330D

Consultez les instructions d'installation fournies avec les trousse de cordon d'alimentation ou de raccordement direct pour les directives de montage détaillées.

Si l'on effectue un raccordement par socle électrique, la boîte de jonction RAK4002C est aussi nécessaire pour compléter l'installation.

Instructions d'installation

OPTIONS DE RACCORDEMENT ÉLECTRIQUE DE 265 VOLTS

AVERTISSEMENT

Vous DEVEZ brancher ce produit alimenté par courant alternatif de 265 volts au circuit de dérivation par branchement direct conformément au Code national d'électricité. Le Code n'autorise pas le branchement d'un appareil à une prise exposée montée sur le bâtiment.

Vous devez installer ces modèles à l'aide de la bonne trousse d'alimentation électrique GE pour l'ampérage du circuit de dérivation et la puissance du chauffage à résistance électrique désirée. Utilisez le Tableau de contact électrique, page 18, pour déterminer la bonne trousse requise. Vous devez utiliser l'une des méthodes suivantes d'installation.

A. INSTALLATION AVEC SOCLE ÉLECTRIQUE

Des trousse de socle électrique sont offertes afin de procurer une enceinte polyvalente pour le branchement direct.

Circuit de dérivation et appareil (ampères)	Socle électrique GE Appliances approprié	Trousse d'alimentation électrique
15	RAK204E15	RAK515P
20	RAK204E20	RAK520P
30	RAK204E30	RAK530P

Les instructions fournies avec la trousse de socle électrique choisie doivent être observées rigoureusement. Il est de la responsabilité de l'installateur de s'assurer que le raccordement des composants s'effectue en conformité avec ces instructions et tous les codes électriques.

B. INSTALLATION AVEC RACCORDEMENT DIRECT

Si l'on n'utilise pas un socle électrique, un raccordement direct au câblage du circuit de dérivation à l'intérieur d'une boîte de jonction doit être réalisé en suivant les étapes suivantes.

Commandez la trousse de raccordement direct 265 volts selon le besoin :

Branch Circuit and Unit Amperage Rating	Trousse d'alimentation électrique
15	RAK515D
20	RAK520D
30	RAK530D

Consultez les instructions d'installation fournies avec les trousse de cordon d'alimentation ou de raccordement direct pour les directives de montage détaillées.

TABLEAU DE RACCORDEMENT ÉLECTRIQUE

Raccordement par cordon d'alimentation

230/208 Volt Cordons électriques à détection de fuite de courant (1)	Configuration de la fiche murale	Dispositif de protection de circuit	Puissance de chauffage à 230/208 volts
RAK315P/SP RAK320P/SP RAK330P/SP	Tandem Perpendiculaire Tandem grand	Fusible temporisé 15 A ou disjoncteur Fusible temporisé 20 A ou disjoncteur Fusible temporisé 30 A ou disjoncteur	2,40/1,96 KW 3,40/2,78 KW 4,80/3,93 KW (Vent. haut) 3,80/3,11 KW (Vent. bas)

*Pour une installation avec socle pour circuit 265 V, veuillez vous reporter à la Boîte A, page 19, pour la paire Socle-Trousse d'alimentation appropriée.

Raccordements directs

Trousses d'alimentation 230/208 volts (2)	Dispositif de protection de circuit	Puissance de chauffage à 230/208 volts
RAK315D RAK320D RAK330D	Fusible temporisé 15 A ou disjoncteur Fusible temporisé 20 A ou disjoncteur Fusible temporisé 30 A ou disjoncteur	2,40/1,96 KW 3,40/2,78 KW 4,80/3,93 KW (Vent. haut) 3,80/3,11 KW (Vent. bas)

Trousses d'alimentation 265 volts	Dispositif de protection de circuit	Puissance de chauffage à 265 volts
RAK515D RAK520D RAK530D	Fusible temporisé 15 A ou disjoncteur Fusible temporisé 20 A ou disjoncteur Fusible temporisé 30 A ou disjoncteur	2,40 KW 3,40 KW 4,80 KW (Vent. haut) 3,8 KW (Vent. bas)

(1) Une boîte de jonction est incluse avec les trousse SP.

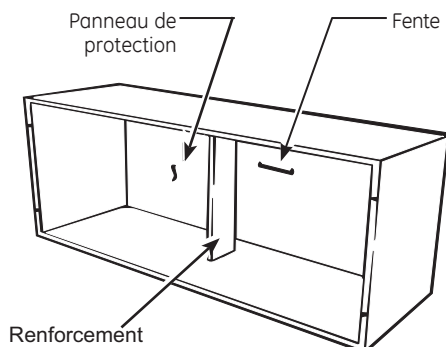
(2) Une boîte de jonction est incluse avec ces trousse.

Instructions d'installation

INSTALLATION DU ZONELINE

1. INSTALLER LE LOGEMENT MURAL ET LA GRILLE EXTÉRIURE

Le logement mural de série RAB71A/B ou RAB77A4/77B doit être correctement installé selon les instructions emballées avec le logement.

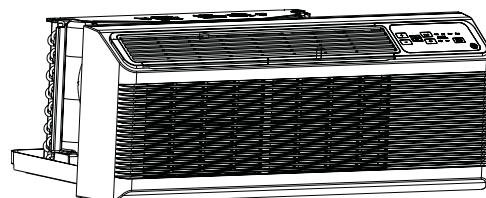


- Retirez le renforcement ondulé et le panneau de protection extérieur. Servez-vous de la fente du panneau comme prise pour dégager celui-ci en poussant.
- Installez la grille extérieure depuis le côté pièce selon les instructions emballées avec la grille.

REMARQUE : Pour une installation avec socle électrique ou adaptateur de conduit, voyez les instructions emballées avec ces produits.

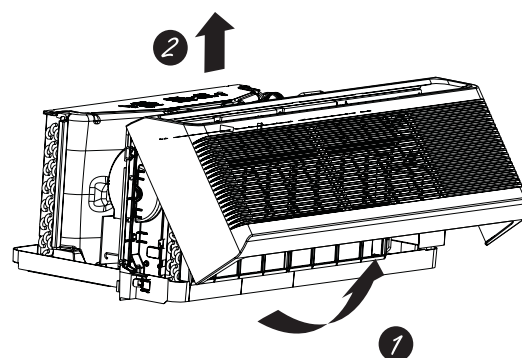
2. PRÉPARER L'APPAREIL

- Retirez avec soin les blocs de mousse d'emballage du devant côté pièce, du compresseur et du ventilateur extérieur. Il vous faudra probablement retirer plusieurs blocs de mousse et segments de ruban adhésif d'emballage.

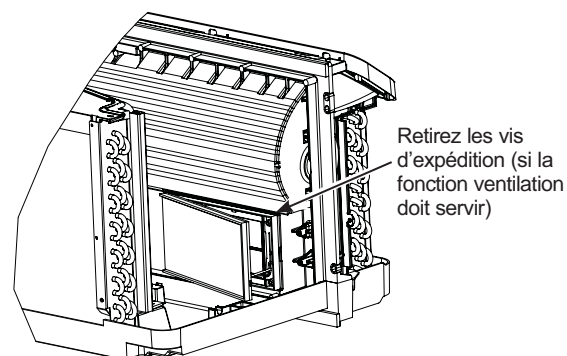


Ruban d'emballage (les positions peuvent varier)

- Retirez le couvercle côté pièce en le tirant vers l'extérieur dans le bas (1), puis soulevez-le pour le dégager du rail dans le haut de l'appareil (2).



- Si le panneau à événements doit servir (ventilation), retirez les vis d'expédition sur son devant, le cas échéant.

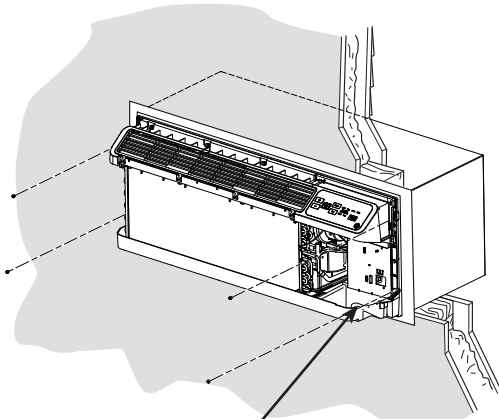


INSTALLATION DU ZONELINE (suite)

3. INSTALLER L'APPAREIL DANS LE LOGEMENT MURAL

Glissez l'appareil dans le logement mural et posez quatre vis dans les trous du rebord de l'appareil.

Le sac scellé qui contient les quatre vis se trouve sous le panneau de commande, dans la pochette du plateau de fond.

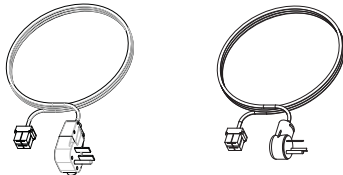


Les quatre vis de fixation du logement mural sont rubannées à la pochette devant le panneau de commande.

REMARQUE : Plusieurs trous supplémentaires se trouvent sur les rebords latéraux de l'appareil pour l'installation de logements muraux autres que GE Appliances. Pour éviter d'endommager l'isolant aux rebords, l'installateur doit utiliser un poinçon ou un autre outil pointu pour percer l'isolant dans les trous appropriés avant de poser les vis de fixation.

4. TROUSSES DE CORDON D'ALIMENTATION OU DE RACCORDEMENT DIRECT

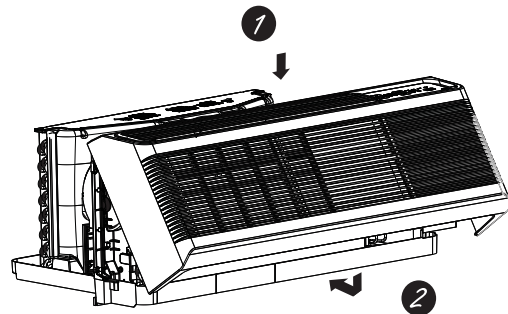
Consultez les instructions d'installation fournies avec les trousse de cordon d'alimentation ou de raccordement direct pour des directives détaillées.



Trousse de cordon d'alimentation
(L'aspect peut varier)

5. REPLACER LE COUVERCLE CÔTÉ PIÈCE

Réinstallez le couvercle côté pièce en alignant et plaçant le rail supérieur du couvercle au-dessus du châssis (1), puis poussez-le dans le bas (2).



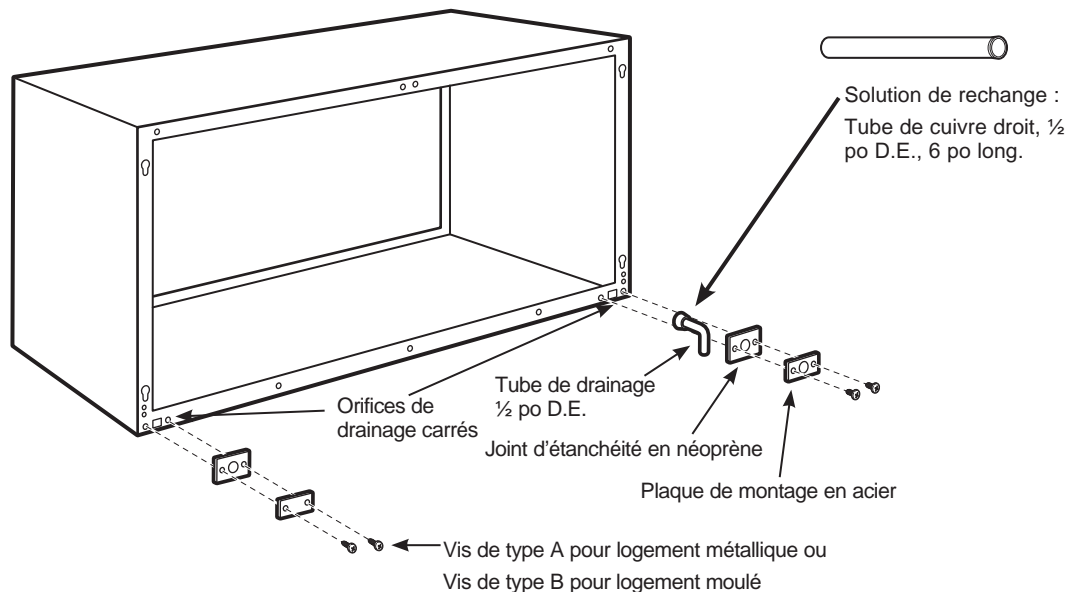
Instructions d'installation

FACULTATIF – INSTALLATION D'UNE TROUSSE DE DRAINAGE

Les modèles de série Dry Air 25 sont conçus pour augmenter la déshumidification de 25 %. Étant donné que l'humidité sera recueillie de l'air, l'eau est davantage susceptible de dégoutter du logement mural que dans le cas d'un appareil standard. Pour prévenir l'égouttement sur les murs extérieurs du bâtiment, nous recommandons l'utilisation de la trousse de drainage RAD10.

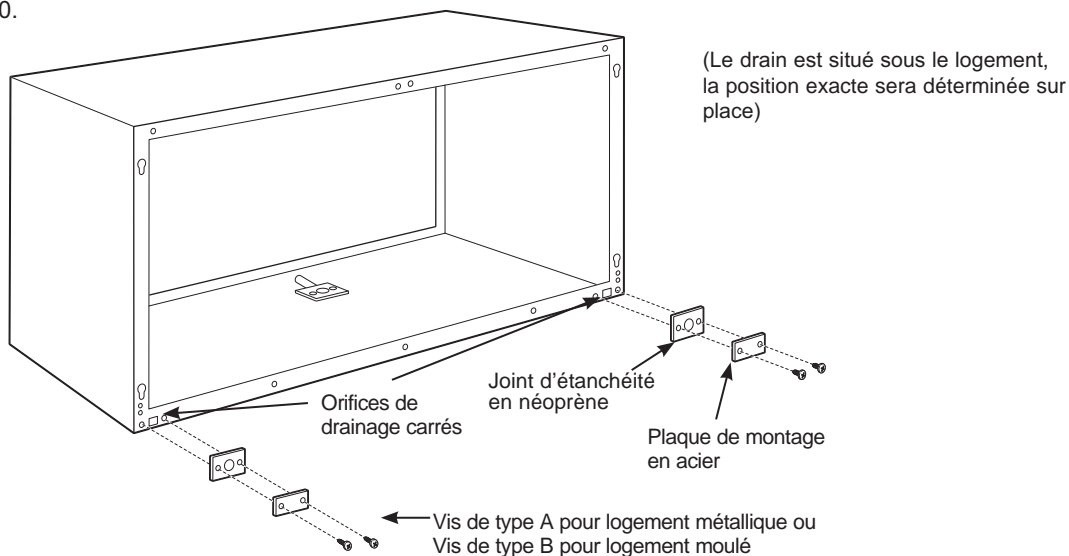
Drain extérieur

Voir les instructions d'installation dans la trousse RAD10.



Drain intérieur

Voir les instructions d'installation dans la trousse RAD10.



Conseils de dépannage... avant d'appeler le service

Économisez temps et argent! Examinez d'abord les tableaux suivants, un appel de service sera peut-être inutile.

Problème	Causes possibles	Correctifs
Le Zoneline de démarre pas.	L'appareil est débranché.	Assurez-vous que la fiche du Zoneline est poussée à fond dans la prise.
	Le cordon d'alimentation n'est pas attaché solidement.	Retirez le couvercle côté pièce et assurez-vous que le connecteur à l'extrémité du cordon d'alimentation est solidement inséré.
	Le fusible est grillé ou le disjoncteur est déclenché.	Vérifiez le panneau de distribution électrique de la résidence et remplacez le fusible grillé ou réenclenchez le disjoncteur.
	L'appareil attend la réinitialisation du limiteur de surcharge du compresseur.	Cela est normal. Le Zoneline démarrera de nouveau après sa réinitialisation.
	Panne de courant.	Si une panne de courant survient, réglez la commande des modes à OFF (Arrêt). Une fois le courant rétabli, réglez la commande des modes à l'option désirée. Un délai de protection (jusqu'à 3 minutes) prévient le déclenchement du limiteur de surcharge du compresseur. C'est pourquoi il est possible que le chauffage ou la climatisation ne reprenne pas pendant 3 minutes après le rétablissement du courant.
	Le dispositif d'interruption de courant du cordon d'alimentation est déclenché.	Appuyez sur le bouton RESET (Réinitialisation) situé sur la fiche du cordon ou sur le boîtier près de la fiche. Si le bouton RESET ne reste pas enfoncé, cessez d'utiliser le Zoneline et appelez un technicien qualifié.
La climatisation ou le chauffage du Zoneline est insuffisant.	La circulation d'air intérieur est restreinte.	Assurez-vous que l'avant du Zoneline n'est pas bloqué par des rideaux, des stores ou des meubles.
	La circulation d'air extérieur est restreinte ou recirculée	Assurez-vous que la grille arrière n'est pas bloquée. Cela pourrait provoquer l'interruption du fonctionnement de l'appareil par la protection de surcharge du compresseur. La grille extérieure doit présenter une superficie libre d'au moins de 65 %. Les grilles d'un autre marque que GE peuvent être trop restrictives pour assurer un rendement approprié. Consultez votre vendeur si vous avez besoin d'aide.
	Le réglage de la température peut être incorrect.	Réglez la température à une valeur plus basse ou plus haute. REMARQUE : Il se peut que le limiteur de température restreigne la plage des valeurs.
	Le filtre à air est sale.	Remplacez le filtre au moins tous les 30 jours. Reportez-vous à la section Instructions d'utilisation.
	La température dans la pièce était peut-être basse ou élevée.	Lorsque le Zoneline est mis en marche pour la première fois, il faut attendre un certain temps pour refroidir ou réchauffer la pièce.
	De l'air extérieur entre dans la pièce.	Réglez la commande de ventilation à la position fermée. REMARQUE : Les modèles dotés de la ventilation d'appoint introduiront toujours une certaine quantité d'air extérieur dans la pièce.
Une odeur de brûlé est perçue au début du fonctionnement en mode chauffage.	De la poussière se trouve à la surface des éléments chauffants.	La poussière peut produire une odeur de « brûlé » au début du fonctionnement en mode chauffage. Cette odeur devrait disparaître rapidement.

Conseils de dépannage... avant d'appeler le service

Économisez temps et argent! Examinez d'abord les tableaux suivants, un appel de service sera peut-être inutile.

Problème	Causes possibles	Correctifs
L'air n'est pas toujours chaud ou froid pendant le fonctionnement.	La thermopompe ne produit pas d'air chaud.	Ce phénomène est normal. La thermopompe produit de l'air tiède qui n'est pas aussi chaud que celui fourni par le chauffage électrique, plus coûteux à l'utilisation.
	Les commandes auxiliaires Smart Fan sont peut-être réglées pour un fonctionnement continu du ventilateur.	En continu, le ventilateur souffle de l'air à température ambiante même lorsque le compresseur ou le chauffage s'arrête. Le mouvement continu de l'air procure un meilleur contrôle global de la température en mode de refroidissement. Voyez la section Smart Fan - Cooling/Heating (Ventilateur intelligent – Froid/Chaleur) à la page 8.
L'air ne semble pas assez chaud en mode chauffage	La thermopompe seule fournit de l'air un peu moins chaud que désiré.	Utilisez la fonction de chauffage électrique. Cette fonction éteint la thermopompe et chauffe l'air au moyen d'éléments électriques seulement. REMARQUE : L'utilisation de cette fonction augmente la consommation d'énergie.
L'appareil ne souffle pas d'air.	La commande auxiliaire Smart Fan (Ventilateur intelligent) est peut-être réglée pour un cyclage marche-arrêt.	Voyez la section Smart Fan - Cooling/Heating (Ventilateur intelligent – Froid/Chaleur) à la page 8.
Les fonctions de chauffage électrique et de ventilation ne fonctionnent pas.	Le cordon d'alimentation n'est pas solidement enfoncé	Retirez le couvercle côté pièce et assurez-vous que le connecteur noir à l'extrémité du cordon est solidement inséré.
L'affichage de la température clignote.	Le compresseur est peut-être défaillant.	Mettez la commande de fonctionnement à OFF (Arrêt) puis redémarrez l'appareil. Si le clignotement réapparaît sous 30 minutes, appelez le service.
L'appareil ne fonctionne pas après l'installation du thermostat mural distant.	Le mode 6 auxiliaire n'est pas réglé correctement.	Vérifiez que le raccordement du thermostat mural distant au connecteur du thermostat de l'appareil est correct.
	Les connexions du thermostat de l'appareil sont incorrectes.	Vérifiez que le commutateur de l'option Remote Thermostat (Thermostat distant) du mode 6 auxiliaire est à ON (Marche), voir la page 10.
	Le transformateur s'arrête ou s'ouvre avec un court-circuit.	Attendez 5 minutes pour voir si l'alimentation est restaurée.
La thermopompe fonctionne avec chauffage électrique seulement durant le chauffage.	Le mode auxiliaire 6 n'est pas réglé correctement.	Vérifiez que le mode auxiliaire 6 est réglé pour le thermostat mural approprié, soit " <i>I</i> " pour le modèle « climatisation/chaleur », soit " <i>R</i> " pour le modèle à basculement automatique (Auto Change Over), voir page 8.
	Le mode auxiliaire 8 n'est pas réglé correctement.	Vérifiez le mode auxiliaire 8 pour vous assurer que l'interrupteur est à OFF (Arrêt) relativement au fonctionnement de la thermopompe, voir page 9.

Bruits de fonctionnement normaux

PING! POP!


Il est possible que vous entendiez un tintement causé par les gouttes recueillies et projetées contre le condensateur par temps pluvieux ou d'humidité élevée. Cette conception améliore la déshumidification et l'efficacité de l'appareil.

“CLIC”

Le dé clic des relais peut se faire entendre lorsque les commandes fonctionnent de façon cyclique ou lorsque vous les réglez pour modifier la température ambiante.

GOUTTES



Par temps pluvieux ou d'humidité élevée, de l'eau est recueillie dans le plateau de l'appareil. Celui-ci peut déborder et de l'eau peut s'écouler du côté extérieur de l'appareil.

BRUISSEMENT



Le ventilateur intérieur fonctionne continuellement lorsque l'appareil est en mode de refroidissement, sauf si la commande auxiliaire Smart Fan (Ventilateur intelligent) est réglée pour fonctionner en cycles. Dans ce dernier cas, le ventilateur s'allumera et s'arrêtera en parallèle avec le compresseur et un bruissement pourra se faire entendre.

À certains moments, le ventilateur fonctionnera même si l'appareil n'est pas en mode chauffage ou refroidissement. Si le ventilateur intérieur est réglé en continu, il fonctionnera peu importe qu'il n'y ait ni chauffage ni refroidissement. À d'autres moments, le ventilateur fonctionnera plus longtemps que le cycle chauffage-refroidissement ou il démarrera à l'occasion. Cela est normal et vise à améliorer le confort et l'équilibre ambiant.

Si l'appareil est doté d'une ventilation en air d'appoint, les ventilateurs fonctionneront continuellement.

L'appareil avec appoint numérique d'air effectue une vérification du système au démarrage, lors des cycles marche-arrêt et une fois à tous les 7 jours si l'appareil est en mode d'occupation. La vérification du système dure environ 45 secondes. Pendant ce temps, les ventilateurs accélèrent, ralentissent, puis atteignent le point de réglage.

Délai de 3 minutes



Vous remarquerez peut-être un délai de quelques minutes au démarrage si vous tentez de redémarrer le Zonline trop tôt après l'avoir éteint, ou si vous réglez le thermostat immédiatement après l'arrêt du compresseur. Ce délai de 3 minutes est attribuable à un dispositif de protection intégré du compresseur.

SILENCE

Pendant le cycle de dégivrage, les ventilateurs intérieur et extérieur s'arrêtent et le compresseur fonctionne en mode de refroidissement afin d'éliminer le givre sur les serpentins extérieurs. Après le dégivrage, l'appareil redémarre en mode chauffage pour réchauffer rapidement la pièce au niveau de confort désiré.

PROTECTION DU COMPRESSEUR

Pour protéger le compresseur et prévenir les cycles courts, l'appareil est conçu pour fonctionner pendant un minimum de 3 minutes après le démarrage du compresseur à n'importe quel réglage du thermostat.

Inscription du propriétaire d'électroménager

Veillez suivre les étapes suivantes pour protéger votre investissement :

1 Remplissez et postez votre fiche d'inscription du propriétaire aujourd'hui.
Vous aurez ainsi la quiétude de savoir que nous pourrions vous contacter en cas de modification pour améliorer la sécurité.

2 Après avoir posté la fiche d'inscription ci-dessous, rangez ce document dans un endroit sûr. Il contient des renseignements dont vous aurez besoin en cas d'appel de service. Notre numéro de service est le 844-GE4-PTAC (ou 844-434-7822).

3 Veillez lire votre manuel d'utilisation attentivement. Il vous aidera à utiliser votre nouvel électroménager d'une façon appropriée.

✂ Découper ici

CONSUMER PRODUCT OWNERSHIP REGISTRATION

Three ways to register your appliance:



SCAN
this code with your smart-phone app

GO ONLINE
geappliances.com/register

COMPLETE & MAIL
this registration card

Product:

Model:

Serial:

Mr. Mrs. Ms.

First Name Last Name

Street Address Apt.#

Email Address
We'll use your email address to send you information about your product, as well as discounts and other offers from GE Appliances

City State ZIP Code

Month Day Year Phone Number ()

Date appliance was installed or placed in use

GE Appliances takes your privacy seriously. All information you provide shall be held in strict accordance with the GE Appliances Privacy Policy. Read the full policy at www.geappliances.com/privacy/privacy_policy.htm.

geappliances.com/register

Revised 6/15
245D1499P001

✂ Découper ici

FOR CANADIAN CONSUMERS / POUR LES CONSOMMATEURS CANADIENS

OWNERSHIP REGISTRATION CERTIFICATE FICHE D'INSCRIPTION DU PROPRIETAIRE

MODEL/MODÈLE

SERIAL/SÉRIE

P.O. BOX/C.P. 1780
MISSISSAUGA, ONT. L4V 4G1

INSTALLATION DATE Y/A M
DATE D'INSTALLATION

PLEASE COMPLETE AND RETURN THIS CARD IMMEDIATELY TO ENABLE US TO CONTACT YOU IN THE REMOTE EVENT A SAFETY NOTIFICATION IS ISSUED FOR THIS PRODUCT.

VEUILLEZ REMPLIR ET RETOURNER LA PRÉSENTE FICHE SANS TARDER AFIN DE NOUS PERMETTRE DE COMMUNIQUER AVEC VOUS SI JAMAIS UN AVIS DE SÉCURITÉ CONCERNANT CE PRODUIT ÉTAIT ÉMIS.

CHECK ONE COCHEZ	MR. <input type="checkbox"/> MISS <input type="checkbox"/>	MRS. <input type="checkbox"/> MME <input type="checkbox"/>	FIRST NAME/PRÉNOM	LAST NAME/NOM
STREET NO. N° RUE	STREET NAME/RUE		APT.NO./APP./RR#	
CITY/VILLE	PROVINCE	POSTAL CODE/POSTAL		
AREA CODE IND. REG.	TELEPHONE	NAME OF SELLING DEALER/NOM DU MARCHAND		

Canada consumers, visit geappliances.ca/register/index.jsp

CORRESPONDENCE
CORRESPONDANCE

FRENCH
FRANÇAIS

ENGLISH
ANGLAIS

245D1499P002
Revised 06/14

Inscription du propriétaire d'électroménager

Please place in envelope and mail to:

PRODUCT REGISTRATION DEPARTMENT
PO BOX 34980
LOUISVILLE KY 40232-4980

Please place in envelope and mail to:
Veuillez mettre dans une enveloppe et envoyez à :

OWNERSHIP REGISTRATION
PO BOX 1780
MISSISSAUGA, ONTARIO
L4Y 4G1

Garantie du climatiseur Zoneline de GE Appliances

GARANTIE

Toutes les réparations sous garantie sont effectuées par nos Centres de service ou par nos réparateurs autorisés Customer Care®. Vous pouvez prendre rendez-vous en ligne sur GEAppliances.com ou en composant le 844-GE4-PTAC (ou 844-434-7822). Au Canada, communiquez avec la firme Gordon Williams Corp. Au 1.888.209.0999. Lorsque vous appelez, veuillez avoir les numéros de série et de modèle à portée de la main.

Pendant :	GE Appliances remplacera :
Un an à compter de la date d'achat d'origine	Toute pièce du climatiseur qui se révèle défectueuse en raison d'un vice de matières ou de fabrication. Au cours de cette garantie limitée d'un an , GE Appliances couvrira gratuitement les frais de main-d'œuvre et les frais de service associés pour remplacer la pièce défectueuse.
Cinq ans à compter de la date d'achat d'origine	Toute pièce du système frigorifique scellé (le compresseur, le condensateur, l'évaporateur et toute la tubulure de raccordement y compris le système d'air d'appoint) qui se révèle défectueuse en raison d'un vice de matières ou de fabrication. Au cours de cette garantie limitée de cinq ans , GE Appliances couvrira gratuitement les frais de main-d'œuvre et les frais de service associés pour remplacer la pièce défectueuse.
La deuxième à la cinquième année à compter de la date d'achat d'origine	Moteurs de ventilateur, commutateurs, thermostat, éléments chauffants, dispositifs de protection des éléments chauffants, limiteur de surcharge du compresseur, solénoïdes, circuits imprimés, commandes auxiliaires, thermistances, sentinelle de gel, commandes de givre, pompe du système interne d'élimination du condensat, condensateurs, varistances, roulements du ventilateur intérieur , si l'une quelconque de ces pièces se révèle défectueuse en raison d'un vice de matières ou de fabrication. Au cours de cette garantie supplémentaire de 4 ans , vous devrez assumer tous les frais de main-d'œuvre et de service associés.

Ce qui n'est pas couvert :

- Toute visite à votre domicile pour vous expliquer le fonctionnement de l'appareil.
- Une installation, une livraison ou un entretien inadéquats.
Pour tout problème d'installation, ou si le climatiseur n'assure pas une climatisation adéquate, communiquez avec votre détaillant ou votre installateur. Vous avez la responsabilité de fournir les installations appropriées pour les raccordements électriques.
- Dans les établissements commerciaux, la main-d'œuvre nécessaire pour amener l'appareil à un endroit où il pourra être accessible aux fins de réparation par un technicien.
- Les défauts ou les dommages attribuables à la corrosion causée par une installation dans un milieu contenant des produits chimiques corrosifs.
- Le remplacement des fusibles ou le réenclenchement des disjoncteurs.
- Une défektivité attribuable à une modification du produit, une utilisation déraisonnable ou un entretien inadéquat ou négligent.
- Les défauts ou les dommages attribuables à la corrosion en raison d'une installation dans un environnement côtier, sauf dans le cas des modèles ayant subi un traitement anticorrosion appliqué à l'usine tel qu'indiqué par le numéro de modèle.
- Les dommages au produit attribuables à une alimentation électrique inadéquate, un accident, un incendie, une inondation ou un cas de force majeure.
- Tout dommage direct ou indirect à la propriété causé par une éventuelle défektivité de ce climatiseur.
- Les dommages survenus après la livraison.
- Le produit en cas d'impossibilité d'y avoir accès pour procéder à la réparation demandée.

EXCLUSION DE GARANTIES IMPLICITES - Votre seul et unique recours consiste dans la réparation du produit selon les dispositions de cette Garantie limitée. Toutes les garanties implicites, incluant les garanties de qualité marchande et de convenance, sont limitées à une année ou à la période la plus courte autorisée par la loi.

Cette garantie est offerte à l'acheteur initial et à tout propriétaire subséquent d'un produit acheté en vue d'une utilisation aux États-Unis et au Canada. Si le produit est installé dans une région non desservie par un réparateur autorisé GE Appliances, vous pourriez être tenu d'assumer des frais de déplacement ou d'apporter le produit à un centre de réparation autorisé GE Appliances. En Alaska, la garantie ne couvre pas les frais d'expédition et les appels de service à votre domicile.

Dans certains États ou provinces, il est interdit d'exclure ou de limiter les dommages directs ou indirects. La présente garantie vous confère des droits juridiques spécifiques. Vous pouvez bénéficier d'autres droits qui varient d'une province ou d'un État à l'autre. Pour connaître les droits dont vous bénéficiez dans votre région, communiquez avec des relations avec les consommateurs de votre région ou encore le Procureur général de votre État.

Garant : GE Appliances

Inscription du propriétaire d'électroménager

Site Web de GE Appliances

Vous avez une question ou vous avez besoin d'aide pour votre appareil électroménager? Visitez le site Web de GE Appliances 24 heures par jour, tous les jours de l'année! Vous pouvez aussi y trouver d'autres formidables produits GE Appliances et tirer avantage de tous nos services d'assistance en ligne. Aux États-Unis : **GEAppliances.com**
Au Canada : **GEAppliances.ca**

Enregistrez votre électroménager

Enregistrez votre nouvel appareil en ligne au moment qui vous convient le mieux! L'enregistrement de votre produit dans les délais prescrits permet une meilleure communication et un service rapide, selon les modalités de votre garantie, si besoin est. Vous pouvez également envoyer par courrier la carte d'enregistrement pré-imprimée qui se trouve dans l'emballage de votre appareil.

Aux États-Unis : **GEAppliances.com/register**

Au Canada : **Prodsupport.mabe.ca/crm/Products/ProductRegistration.aspx**

Service de réparation

Un service de réparation expert GE Appliances se trouve à quelques pas de chez vous. Rendez-vous sur notre site et programmez, à votre convenance, une visite de réparation à n'importe quel jour de l'année.

Aux États-Unis : **GEAppliances.com/ge/service-and-support/service.htm** ou composez le 800.432.2737 durant les heures normales de bureau.

Au Canada : **GEAppliances.ca/en/support/service-request** ou composez le 800.561.3344

Prolongation de garantie

Procurez-vous une prolongation de garantie GE Appliances et informez-vous des rabais spéciaux en vigueur pendant la durée de votre garantie. Vous pouvez vous la procurer en ligne en tout temps. Les services GE Appliances seront toujours disponibles après l'expiration de la garantie. Aux États-Unis :

GEAppliances.com/ge/service-and-support/shop-for-extended-service-plans.htm ou composez le 800.626.2224 durant les heures normales de bureau.

Au Canada : **GEAppliances.ca/en/support/purchase-extended-warranty** ou composez le 800.290.9029

Connectivité à distance

Pour de l'assistance concernant la connectivité au réseau sans fil (pour les modèles équipés de cette fonction), visitez notre site Web au **GEAppliances.com/ge/connected-appliances/** ou composez le 800.220.6899 aux États-Unis seulement.

Pièces et accessoires

Les personnes ayant les compétences requises pour réparer elles-mêmes leurs appareils peuvent recevoir directement à la maison des pièces ou accessoires (les cartes VISA, MasterCard et Discover sont acceptées). Commandez en ligne 24 heures par jour.

Aux États-Unis : **GEApplianceparts.com** ou par téléphone au 877.959.8688 durant les heures normales de bureau.

Les instructions contenues dans le présent manuel comportent des procédures que tout utilisateur peut effectuer. Les autres types de réparation doivent généralement être confiés à un technicien qualifié. Utilisez de prudence : une réparation ou un entretien mal effectués peuvent rendre l'utilisation de l'appareil dangereuse.

Les consommateurs au Canada doivent consulter les pages jaunes pour connaître le centre de service Mabe le plus proche, visiter notre site Web au **GEAppliances.ca/en/products/parts-filters-accessories** ou composer le 1.800.661.1616.

Communiquez avec nous

Si vous n'êtes pas satisfait du service après-vente de GE Appliances, communiquez avec nous depuis notre site Web en fournissant tous les détails dont votre numéro de téléphone, ou écrivez à :

Aux États-Unis : General Manager, Customer Relations | GE Appliances, Appliance Park | Louisville, KY 40225
GEAppliances.com/ge/service-and-support/contact.htm

Au Canada : Director, Consumer Relations, Mabe Canada Inc. | Suite 310, 1 Factory Lane | Moncton, N.B. E1C 9M3
GEAppliances.ca/en/contact-us



Zoneline®

ACONDICIONADOR DE AIRE

INFORMACIÓN DE SEGURIDAD ... 3

USO DEL ZONELINE

Controles 4
 Para Retirar la Tapa del Acondicionador de Aire de Pared 5
 Dirección del Aire 5
 Control de la Ventilación 5
 Controles Auxiliares..... 6
 Termostato Remoto..... 10
 Aire de Reposición..... 11

CUIDADO Y LIMPIEZA

Tapa y Caja del Acondicionador de Aire de Pared 12
 Bobinas Externas 12
 Bandeja de la Base..... 12
 Filtro de la Ventilación 13
 Filtros de Aire..... 13

INSTRUCCIONES DE INSTALACIÓN

Preparación..... 14
 Reemplazo de una Unidad Existente ... 15
 Conexión Eléctrica..... 16
 Instalación del Zoneline 19
 Kit de Drenaje Opcional 21

CONSEJOS PARA LA SOLUCIÓN DE PROBLEMAS

Sonidos Normales de Funcionamiento.. 24

SOPORTE AL CLIENTE

Garantía 25
 Soporte al Cliente 26

MANUAL DEL PROPIETARIO

AZ45
AZ65

Escriba los números de modelo y de serie aquí:

Nº de Modelo _____

Nº de Serie _____

Encontrar estos números en una etiqueta detrás de la cubierta en la habitación bandeja de la base.

GRACIAS POR HACER QUE GE APPLIANCES SEA PARTE DE SU HOGAR.

Ya sea que haya crecido usando GE Appliances, o que ésta es su primera vez, nos complace tenerlo en la familia.

Sentimos orgullo por el nivel de arte, innovación y diseño de cada uno de los electrodomésticos de GE Appliances, y creemos que usted también. Entre otras cosas, el registro de su electrodoméstico asegura que podamos entregarle información importante del producto y detalles de la garantía cuando los necesite.

Registre su electrodoméstico GE ahora a través de Internet. Sitios Web y números telefónicos útiles están disponibles en la sección de Soporte para el Consumidor de este Manual del Propietario.

También puede enviar una carta en la tarjeta de inscripción preimpresa que se incluye con el material embalado.



GE APPLIANCES

INFORMACIÓN IMPORTANTE DE SEGURIDAD

LEA TODAS LAS INSTRUCCIONES ANTES DE USAR

ADVERTENCIA

Para su seguridad, se debe seguir la información de este manual para minimizar el riesgo de incendio o explosión, descargas eléctricas, o para evitar daños a la propiedad, lesiones personales o la muerte.

PRECAUCIONES DE SEGURIDAD

- Antes de iniciar su uso, el acondicionador de aire Zoneline debe instalarse correctamente según las Instrucciones de instalación. Ver las Instrucciones de instalación en la parte trasera de este manual.
- Reemplace inmediatamente todos los cables eléctricos que se haya pelado o que se hayan dañado de alguna otra manera. Un cable de corriente dañado no debe repararse, sino que debe ser sustituido por uno nuevo que se adquiera del fabricante. No use un cable eléctrico que muestre evidencias de deterioro o daños de abrasión en su superficie o en cualquiera de sus enchufes o extremos.
- Desenchufe o desconecte el Zoneline desde la caja de fusibles o el disyuntor antes de realizar cualquier tipo de reparación.

NOTA: Recomendamos enérgicamente que cualquier servicio llevado a cabo en este equipo lo realice un individuo calificado.

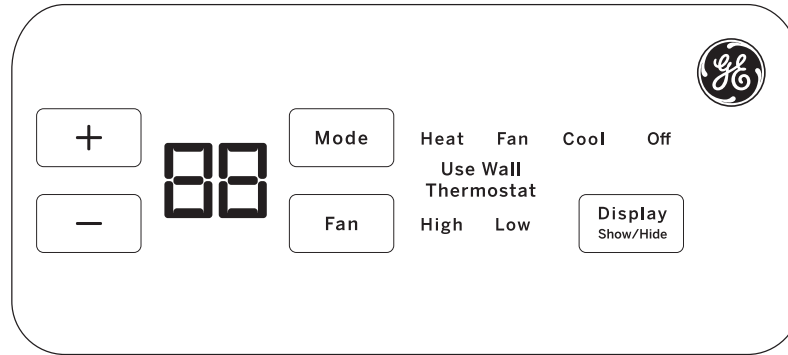
- Los sistemas de acondicionador de aire R410A requieren que los contratistas y técnicos utilicen herramientas, equipamiento y normas de seguridad aprobadas para su uso con este refrigerante. **NO utilice equipamiento certificado sólo para refrigerante R22.**

¿Desea reemplazar una unidad ya instalada?

Para más detalles, ver las Instrucciones de instalación en este manual.

LEA Y GUARDE ESTAS INSTRUCCIONES

Controles



Control de Temperatura

El control de temperatura se usa para mantener la temperatura del ambiente. El sistema realizará el ciclo de encendido y apagado para mantener la habitación al mismo nivel de confort.

Presione la tecla + para elevar la temperatura.

Presione la tecla - para reducir la temperatura.

NOTA: La pantalla muestra la temperatura configurada, y no la temperatura ambiente.

Control del Ventilador, Modo y Funcionamiento

VENTILADOR – Configura el funcionamiento del ventilador en **HIGH (Alto)** o **LOW (Bajo)**.

MODE (Modo)—COOL (Refrescar) – Para refrigerar
FAN (Ventilador) – Para el funcionamiento del ventilador únicamente

HEAT (Calefaccionar) – Para calefaccionar
OFF (Apagar) – Apagar la unidad. El encendido

permanece conectado al Zoneline. Las funciones de Freeze/Heat Sentinel (Centinela de Refrigeración/ Calefacción) aún funciona si está activo. Consulte la sección de Freeze/Heat Sentinel (Centinela de Refrigeración/ Calefacción) en la página 8.

USE EL TERMOSTATO DE PARED — Esta luz LED se iluminará cuando la unidad sea controlada por un termostato de pared. Para más detalles, consulte la página 9.

Bloqueo del Control

El panel de control puede ser bloqueado para evitar que los usuarios cambien el modo de funcionamiento de la unidad. Mientras la unidad esté en el modo de funcionamiento deseado, mantenga presionado el botón DISPLAY SHOW/HIDE (Mostrar/ Ocultar la Pantalla) durante 10 segundos para bloquear el control y la configuración deseada. Presionar cualquier tecla luego de esto hará que el modo LED y la temperatura que fue bloqueada titilen 5 veces y que luego queden inactivos. Para desbloquear la función de bloqueo del control, presione el botón DISPLAY SHOW/HIDE (Mostrar/ Ocultar el Control) durante 10 segundos para realizar el desbloqueo y reiniciar el funcionamiento normal.

NOTA: La pantalla de temperatura titilará si el panel de control está bloqueado (consulte la sección Control Lock Out (Bloqueo del Control)).

NOTA: Al cambiar entre modos, es posible que tome varios minutos cambiar el funcionamiento completamente.

Recuperación Rápida del Calor

Se activa cada vez que el termostato es pasado del modo **OFF (Apagar)** o **COOL (Refrescar)** al modo **HEAT (Calefaccionar)**. Los calefactores eléctricos son alimentados hasta que el punto de configuración máxima del termostato es alcanzado. En los modelos con bomba de calor, el funcionamiento de esta

última se reiniciará la próxima vez que se active la función de calefacción.

Acerca de la Bomba de Calor (AZ65 únicamente)

Las bombas de calor pueden ahorrarle dinero, al eliminar el calor del aire externo – incluso cuando la temperatura externa esté por debajo de helada – y liberando ese calor hacia el área interna.

Para acceder al mejor rendimiento de la energía desde la bomba de calor, no cambie el termostato del ambiente a más de un grado por vez. Elevar la configuración de calor en 2 o 3 grados hará que el Zoneline use sus elementos de calefacción eléctrica, a fin de alcanzar la nueva configuración de temperatura rápidamente.

Los elementos de calefacción eléctrica usan más electricidad que las bombas de calor y tienen un mayor costo de funcionamiento.

Existe un tiempo de funcionamiento mínimo del compresor de 3 minutos en cualquier configuración para evitar ciclos cortos.

El ventilador se inicia antes que el compresor y se detiene una vez que el compresor deja de realizar ciclos.

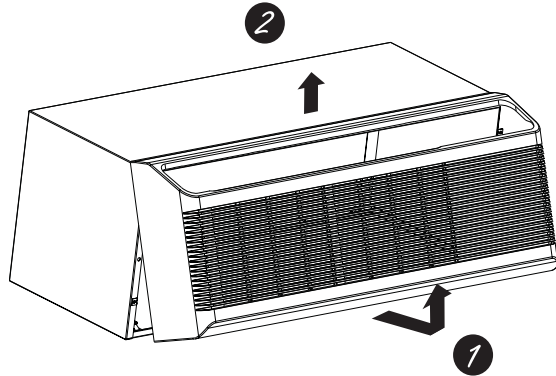
Cuando la temperatura externa sea inferior a 25°F, el calor será provisto por el calentador eléctrico y no por la bomba de calor.

Uso del Zoneline

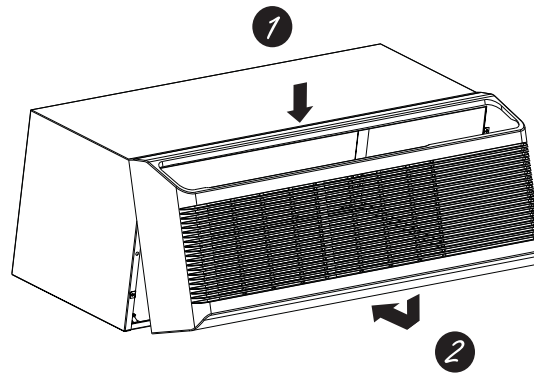
Para Retirar el Frente del Acondicionador de Aire de Pared

Los controles adicionales están ubicados detrás de la tapa del acondicionador de aire de pared.

Para retirar: Empuje hacia usted desde la parte inferior para liberarlo de las lengüetas de sujeción laterales (1). Luego levante (2).



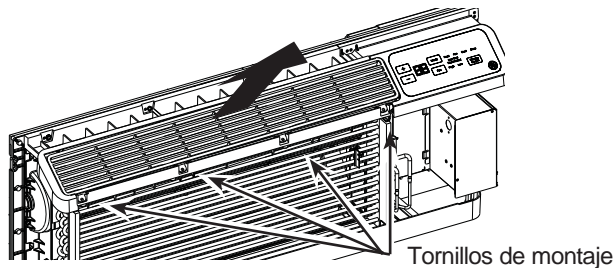
Para reemplazar: Alinee y coloque el riel superior de la tapa del acondicionador de aire de pared sobre el chasis (1). Presione hacia adentro en la parte inferior hasta que calce en su posición (2).



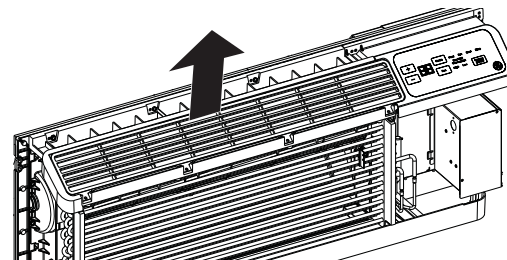
Dirección del Aire

A fin de cambiar la dirección del aire, retire la tapa del acondicionador de aire de pared. Retire los 4 tornillos de montaje que sostienen la inserción del montaje en su posición. Rote el

montaje 180°, reinstale y reemplace los tornillos y la tapa del acondicionador de aire de pared.



Orientación del Montaje Enviado de Fábrica (flujo de aire a 45° desde la posición horizontal)



Orientación del Montaje Modificada (flujo de aire a 65° desde la posición horizontal)

Control de Ventilación*

NOTA: Los dos tornillos enviados deben ser retirados de la puerta de la ventilación antes del uso. Consulte las Instrucciones de Instalación en el reverso de este manual. Si no planea usar la función de ventilación, deje los dos tornillos en su posición.

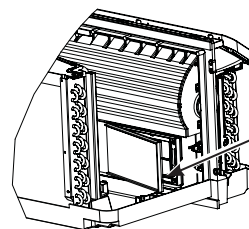
La palanca del control de ventilación está ubicada del lado inferior izquierdo de la unidad del Zoneline, detrás de la tapa del acondicionador de aire de pared. La posición de la palanca puede ser ajustada con la tuerca mariposa.

Cuando se configure en la posición cerrada, sólo el aire dentro de la habitación se hará circular y será filtrado.

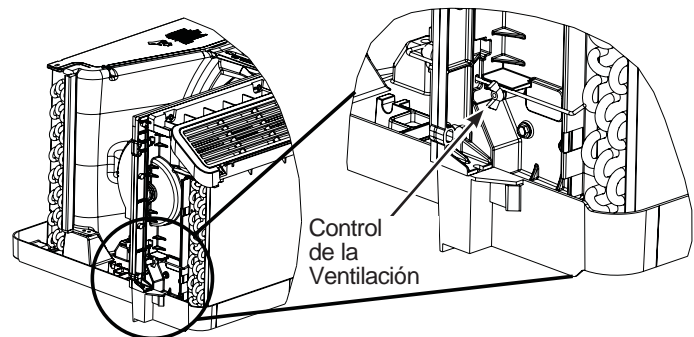
Cuando esté configurado en una posición abierta, una parte del aire externo será dirigida hacia adentro de la habitación. Esto reducirá la eficiencia de la calefacción y refrigeración.

Consejo Energético: Mantenga el control de ventilación en la posición cerrada, a fin de evitar la entrada de aire no acondicionado a la habitación.

* No en el Módulo de Aire de Reposición



Retire los tornillos enviados (si se desea esta operación)



Control de la Ventilación

Controles auxiliares del Zoneline

Controles Auxiliares – Botón de Configuración Auxiliar

Mientras la unidad se encuentre preconfigurada como la mayoría de los clientes lo prefieren, podrán ser ajustados a través del botón de Configuraciones Auxiliares (Aux Set), ubicado detrás de la tapa del acondicionador de aire de pared y debajo del panel de control.

Retire la tapa del acondicionador de aire de pared. Consulte la sección Para Retirar la Tapa del Acondicionador de Aire de Pared

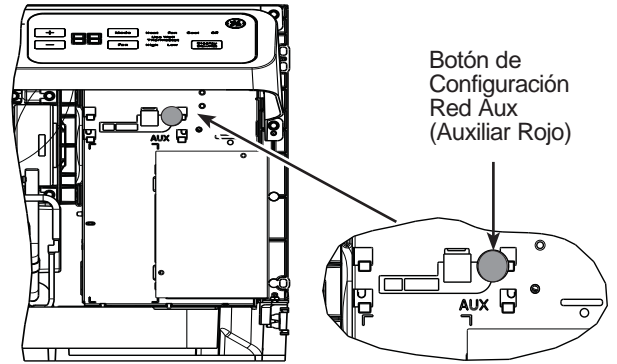
El propietario es responsable de asegurar que los controles auxiliares estén configurados en la función deseada. Existen 9 modos diferentes que pueden ser configurados usando el botón de configuración auxiliar.

Para cambiar el funcionamiento o configurar parámetros, primero vaya al control de modo y apague la unidad, luego presione el botón AUX SET (Configuración Auxiliar) (en la pantalla aparecerá "AU").

Presione el botón de modo en la tecla de control hasta que el primer dígito en la pantalla muestre el número correspondiente al modo que está eligiendo y que el LED de HEAT/COOL (Calefaccionar/ Refrescar) correcto esté encendido.

Presione el botón +/- para realizar la selección de la configuración del modo cuando corresponda (se muestra en el segundo dígito de la pantalla).

Presione el botón AUX SET (Configuración Auxiliar) para bloquear la selección, y salir del modo AUX SET (Configuración Auxiliar).



Press "Aux Set"		Press "Aux Set"		Press "Aux Set for Digital Makeup Air Mode"	
A First Digit	U Second Digit	A First Digit	U Second Digit	A First Digit	U Second Digit
Press "Mode"	Press +/-	Press "Mode"	Press +/-	Press "Mode"	Press +/-
1 Smart Fan <small>HEAT COOL</small>	U - Cycle / \overline{U} - Continue	5 Temperature Limit <small>HEAT COOL</small>	COOL HEAT 0: 60F-85F 0: 60F-85F 1: 64F-85F 1: 60F-70F 2: 66F-85F 2: 60F-72F 3: 68F-85F 3: 60F-74F 4: 70F-85F 4: 60F-76F 5: 72F-85F 5: 60F-78F 6: 74F-85F 6: 60F-80F 7: 76F-85F 7: 60F-85F	0 Makeup Air Mode	1: 0: OFF 4: 40CFM 2: 25CFM 5: 45CFM 3: 30CFM 6: 50CFM
2 Temperature Display	F / C	6 Class 2 Mode		E Makeup Air Occupancy	U - Disable / \overline{U} - Enable
3 Sentinel <small>HEAT COOL</small>	U - Off / \overline{U} - On	7 Duct Mode			
4 Constant Fan	U - Off / \overline{U} - On	8 All I2R Mode (AZ65 Only)			
		9 Boost Heat (AZ65 Only)			
			U - Off / \overline{U} - On (Cool/Heat) / A - On (Auto Change Over)		

293D2203P002

MODO 1 Refrescar/ Calefaccionar con Ventilador Inteligente

Presione MODE (Modo) hasta que aparezca un 1 en el primer dígito de la pantalla para el modo refrescar Smart Fan (Ventilador Inteligente). La luz COOL LED (LED de Refrescar) del control principal estará encendida. Para cambiar el modo de calefacción, presione MODE (Modo) nuevamente. La luz HEAT LED (LED de Calefaccionar) del control principal estará encendida.

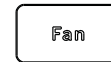
Presione la tecla - para configurar el ventilador interno para que realice ciclos de encendido y apagado en el modo para calefaccionar y refrescar seleccionado "┐".

Presione la tecla + para configurar el ventilador interno para que funcione de forma continua en el modo para calefaccionar y refrescar seleccionado "┐".

Presione AUX SET (Configuración Auxiliar) para confirmar su selección y salida del modo AUX SET (Configuración Auxiliar), o presione MODE (Modo) para continuar configurando otras funciones.

La configuración por omisión para el Modo 1 es la siguiente: Refrescar: Calefacción Continua (Encendido); Ciclo (Apagado)

***Nota:** En el modo para refrescar cíclico, el ventilador interno se activará de forma ocasional para verificar la temperatura del aire en la habitación. En el modo para calefaccionar cíclico, el ventilador continuará funcionando durante varios segundos luego de que la función de calefacción se haya detenido



Controles auxiliares del Zoneline

MODO 2 Fahrenheit / Celsius

Esta función le permite al individuo cambiar las unidades de temperatura entre Fahrenheit y Celsius en la pantalla.

Presione MODE (Modo) hasta que aparezca un 2 en el primer dígito de la pantalla para Fahrenheit/ Celsius en la pantalla.

Presione la tecla – para seleccionar Celsius o la tecla + para seleccionar Fahrenheit. El individuo verá una F para Fahrenheit or una C para Celsius en el segundo dígito de la pantalla en base a la selección.

La configuración por omisión para el Modo 2 es en Fahrenheit.



MODO 3 Centinela de Congelación/ Centinela de Calefacción

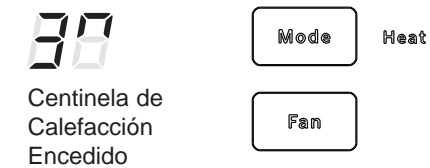
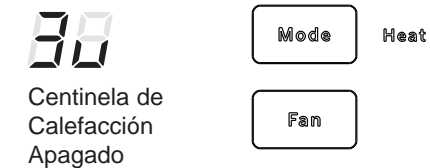
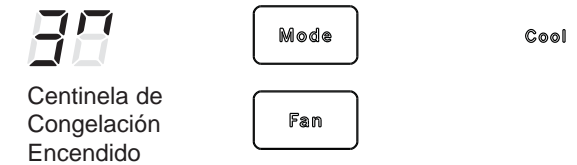
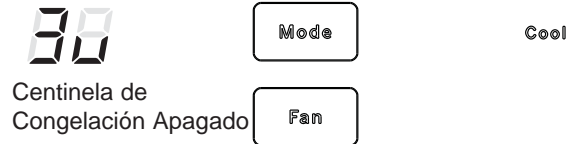
Con la unidad encendida y Freeze Sentinel (Centinela de Congelación) activado, la unidad brinda automáticamente calor sin la interface de usuario. Esto evita posibles daños de plomería, al encender la calefacción y el ventilador interno en 41°F y luego apagarlo una vez que la temperatura del ambiente alcance los 46°F.

Cuando Heat Sentinel (Centinela de Calefacción) está activado, la unidad brinda automáticamente frío sin la interface de usuario. Esto evita que haya un calor excesivo en el ambiente, encendiendo el acondicionador de aire en 85°F y luego apagando el mismo una vez que la temperatura del ambiente alcance los 80°F.

Presione MODE (Modo) hasta que aparezca un 3 en el primer dígito de la pantalla para el modo Freeze Sentinel (Centinela de Congelación). La luz COOL LED (LED de Refrescar) del control principal estará encendido. Presione MODE (Modo) nuevamente para cambiar al Heat Sentinel (Centinela de Calefacción). La luz HEAT LED (LED de Calefaccionar) del control principal estará encendido. Presione la tecla – para OFF (Apagar) "L" o la tecla + para ON (Encender) "I". Esto se muestra en el segundo dígito de la pantalla. Presione AUX SET (Configuración Auxiliar) para bloquear su selección y salida del modo AUX SET (Configuración Auxiliar), o presione MODE (Modo) para continuar configurando otras funciones.

En la configuración por omisión para el Modo 3, el Heat Sentinel (Centinela de Calefacción) está apagado, y el Freeze Sentinel (Centinela de Congelación) está encendido.

NOTA: Estas funciones están activas cuando la unidad es enchufada, incluso aunque la unidad esté apagada.



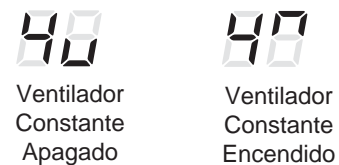
MODO 4 Ventilador Constante Encendido

Presione MODE (Modo) hasta que aparezca un 4 en el primer dígito de la pantalla para configurar el ventilador, a fin de que funcione de forma continua en alta velocidad; incluso aunque la unidad esté apagada.

Presione la tecla – para OFF (Apagar) "L" o la tecla + para ON (Encender) "I". Esto se muestra en el segundo dígito de la pantalla.

Presione AUX SET (Configuración Auxiliar) para bloquear su selección y salida del modo AUX SET (Configuración Auxiliar), o presione MODE (Modo) para continuar configurando otras funciones.

La configuración por omisión para el Modo 4 está en OFF (Apagada).



Controles auxiliares del Zoneline

MODO 5 Limitación de Temperatura

La limitación de temperatura es una función que reduce los costos de energía, limitando la temperatura más baja que se pueda obtener en la refrigeración y la temperatura más alta que se pueda obtener en la calefacción. Presione MODE (Modo) hasta que aparezca un 5 en el primer dígito de la pantalla para para el modo frío de Temperature Limiting (Limitación de Temperatura). La luz COOL LED (LED de Refrescar) del control principal estará encendida. Para cambiar el modo de calefacción, presione MODE (Modo) nuevamente y la luz HEAT LED (LED de Calefaccionar) del control principal se encenderá.

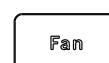
Para configurar los límites de temperatura, presione la tecla + o -. El segundo dígito de la pantalla será entre 0 y 7 dependiendo del límite que desee configurar. El cuadro muestra los límites disponibles. Presione AUX SET (Configuración Auxiliar) para bloquear su selección y salida del modo AUX SET (Configuración Auxiliar), o presione MODE (Modo) para continuar configurando otras funciones.

Límites de Temperatura Refrescar	Límites de Temperatura - Calefaccionar
0 = 60°F to 85°F	0 = 60°F to 65°F
1 = 64°F to 85°F	1 = 60°F to 70°F
2 = 66°F to 85°F	2 = 60°F to 72°F
3 = 68°F to 85°F	3 = 60°F to 74°F
4 = 70°F to 85°F	4 = 60°F to 76°F
5 = 72°F to 85°F	5 = 60°F to 78°F
6 = 74°F to 85°F	6 = 60°F to 80°F
7 = 76°F to 85°F	7 = 60°F to 85°F

La configuración por omisión es en el Modo 5 y es la siguiente:
 Refrescar: 2 (66°F a 85°F)
 Calefaccionar: 5 (60°F a 78°F)



Limitación de Temperatura Fresca – Límite 2



Limitación de Temperatura de Calefacción – Límite 5

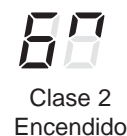
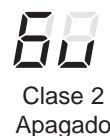
MODO 6 Use el Termostato de Pared

Configurar este modo en ON (Encendido) permitirá que la unidad funcione con un Termostato de Pared a Control Remoto Clase 2.

Presione MODE (Modo) hasta que aparezca un 6 en el primer dígito de la pantalla para el modo Clase 2.

Presione la tecla + para activar la opción ON “□” para termostatos de “frío/calor estándar”. Presione la tecla + nuevamente para activar la opción ON “R” para el termostato de “cambio automático”. Puede presionar la tecla – para regresar a la configuración anterior. Press **AUX SET** to lock in your selection and exit **AUX** Appuyez sur **AUX** Presione AUX SET (Configuración Auxiliar) para bloquear su selección y salida del modo AUX SET (Configuración Auxiliar), o presione MODE (Modo) para continuar configurando otras funciones.

La configuración por omisión para el Modo 6 está en OFF (Apagada). Cuando este modo esté activado, la pantalla mostrará “Usar Termostato de Pared” cuando cualquier tecla sea presionada.



MODO 7 Modo de Conducto

Esta configuración es usada cuando la unidad es instalada con un kit con adaptador del conducto. Si la unidad posee un conducto, se deberá configurar Duct Mode (Modo de Conducto) en ON (Encender). Esto incrementa la velocidad del ventilador, asegurando una circulación adecuada.

Presione MODE (Modo) hasta que un 7 aparezca en el primer dígito de la pantalla. Presione la tecla + o - para configurar este interruptor en OFF (Apagado) “□” u ON (Encendido) “□”. Esto se muestra en el segundo dígito de la pantalla. Presione AUX SET (Configuración Auxiliar) para bloquear su selección y el modo de salida AUX SET (Configuración Auxiliar).

Para el Modelo AZ65, presione MODE (Modo) para continuar configurando otras funciones. Presionar MODE (Modo) en el Modelo AZ45 le hará regresar al modo AUX SET (Configuración Auxiliar) y una “AU” aparecerá en la pantalla.

La configuración por omisión para el Modo 7 está en OFF (Apagada).



Controles auxiliares del Zoneline

MODO 8 Calefacción Sólo Eléctrica (AZ65 únicamente)

Esta opción de calefacción eléctrica funciona sólo con el modelo AZ65. Cuando esta opción está en ON (Encendida) "☐", el funcionamiento de la bomba de calor está bloqueado, haciendo que la unidad sólo brinde calefacción de resistencia eléctrica.

Para configurar la opción All-Electric Heat (Calefacción Sólo Eléctrica), presione MODE (Modo) hasta que un 8 aparezca en el primer dígito de la pantalla. Presione la tecla + o - para configurar este interruptor en OFF (Apagado) "☐" u ON (Encendido) "☐". Esto se muestra en el segundo dígito de la pantalla.

Presione AUX SET (Configuración Auxiliar) para bloquear su selección y salida del modo AUX SET (Configuración Auxiliar), o presione MODE (Modo) para continuar configurando otras funciones.

La configuración por omisión para el Modo 8 está en OFF (Apagada).



Calefacción
Sólo Eléctrica
Apagada



Calefacción
Sólo
Eléctrica
Encendida

MODO 9 Acelerar Calefacción (AZ65 únicamente)

Cuando Heat Boost (Acelerar Calefacción) está en ON (Encendido) y las temperaturas externas son de entre 25°F y 46°F, brinda calefacción eléctrica complementaria al funcionamiento de la bomba de calor para ayudar a mantener una temperatura ambiente consistente y confortable.

Para configurar Heat Boost (Acelerar Calefacción), presione MODE (Modo) hasta que un 9 aparezca en el primer dígito de la pantalla. Presione la tecla + o - para configurar este interruptor en OFF (Apagado) "☐" u ON (Encendido) "☐". Esto se muestra en el segundo dígito de la pantalla. Presione AUX SET (Configuración Auxiliar) para bloquear su selección y el modo de salida AUX SET (Configuración Auxiliar).

La configuración por omisión para el Modo 9 está en OFF (Apagada).



Aceleración de
Calefacción
Apagada



Aceleración de
Calefacción
Encendida

MODE 0 Velocidad del Ventilador del Módulo de Aire de Reposición Digital

Presione la tecla MODE (Modo) hasta que aparezca el 0 en el primer dígito de la pantalla, para activar el modo Digital Makeup Air (Aire de Reposición Digital). Para apagar el módulo o cambiar las velocidades del ventilador, presione las teclas + o -. 00 indica que el módulo está apagado. 01 = módulo activado con ventiladores configurados a 25cfm, 02 = módulo activado con ventiladores configurados a 30cfm, etc.

La configuración por omisión para el módulo 0 está en ON "☐" con el ventilador en una velocidad de 35 cfm.

MODE E Ocupación del Módulo de Aire de Reposición Digital

Para activar la detección de la ocupación, presione la tecla MODE (Modo) hasta que aparezca una E en el primer dígito de la pantalla. Presione la tecla + o - para configurar la detección de la ocupación en OFF "☐" o en ON "☐".

La configuración por omisión para el Modo E está en OFF "☐".

Controles auxiliares del Zoneline

Controles Auxiliares – Conexiones de la Terminal

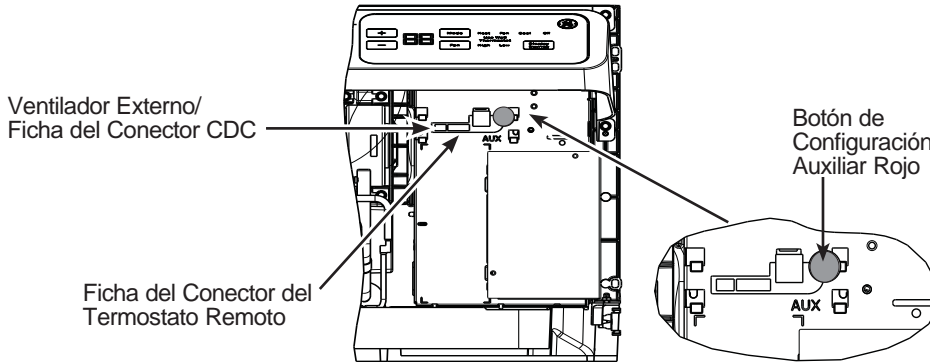
Las fichas de conexión de la terminal de control auxiliar están ubicadas detrás de la tapa del acondicionador de aire de pared, debajo de la tapa de acceso.

1. Apague y desenchufe la unidad.
2. Retire la tapa del acondicionador de aire de pared. Consulte la sección Para Retirar la Tapa del Acondicionador de Aire de Pared.
3. Para realizar conexiones de cables, inserte los conectores en las terminales correspondientes de la caja de control.
4. Una vez realizadas todas las conexiones deseadas, reemplace la tapa de acceso y la tapa del acondicionador de aire de pared.

El propietario es responsable de realizar todas las conexiones y de configurar el modo AUX SET (Configuración Auxiliar) adecuado.

AVISO:

Un cableado incorrecto podrá dañar las piezas electrónicas del Zoneline. No se permite un transporte común. Se podrán producir daños o un funcionamiento errático. Un par de cables aparte se deberán instalar desde cada interruptor de control separado hasta cada Zoneline individual.



Ventilador Externo (Instalados en Campo)

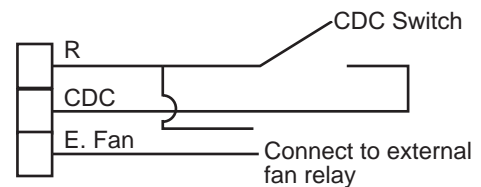
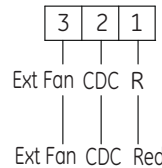
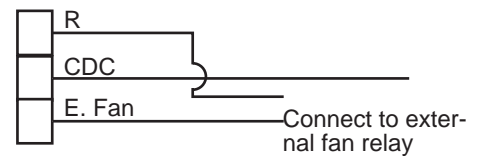
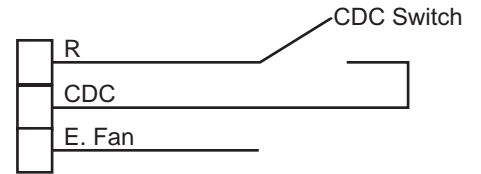
Cuando esté conectado, un ventilador auxiliar o externo puede ser controlado con el motor del ventilador interno del Zoneline. Las conexiones brindan 24 VAC para alimentar un relé remoto.

El accesorio RAKCDC deberá ser utilizado cuando se use un ventilador externo.

Control desde la Mesa Central (Suministrado en Campo)

Central Desk Control (Control desde la Mesa Central) es una función que permite que la unidad sea operable/ inoperable desde una ubicación remota. El funcionamiento de la función requiere que un interruptor ON-OFF (encendido - apagado) en la ubicación remota esté conectado por cable a las dos terminales de la CDC en el panel de control del Zoneline. Cuando el interruptor remoto esté en CLOSED (Cerrado), la unidad no podrá ser operada desde el control en los modos Fan (Ventilador), Cool (Refrescar), o Heat (Calefaccionar). Las funciones de Freeze Sentinel (Centinela de Congelación) y Heat Sentinel (Centinela de Calefacción) permanecen operables. Cuando el interruptor remoto está en Open (Abierto), la unidad puede ser operada completamente desde el control.

* Debe ser observado que CDC no puede ser usado en los modelos DBM y EBM, cuando la ocupación esté activada.



Controles auxiliares del Zoneline

Termostato Remoto

Los Conectores del Termostato Remoto están incluidos con cada Zoneline.

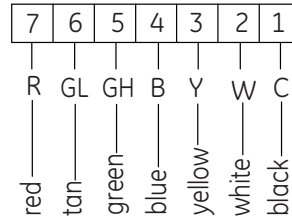
Cuando se conecte a un termostato remoto, el sensor de temperatura de aire interno se pasa desde la unidad al termostato remoto. Por esta razón, las unidades funcionarán de forma levemente diferente cuando se conecten a un termostato remoto. El siguiente cuadro muestra el funcionamiento de la unidad cuando está conectada a un termostato remoto.

IMPORTANTE: Las conexiones del termostato del Zoneline brindan 24 V AC únicamente.

Si usará un termostato de pared digital/ electrónico, deberá configurarlo en el ajuste de 24 V AC. Consulte las Instrucciones de Instalación para el termostato de pared.

AVISO:

Daños sobre un termostato de pared o las piezas electrónicas del Zoneline pueden provocar conexiones inadecuadas. Se deberá tener especial cuidado al conectar los cables. No se deberán realizar conexiones de la línea de voltaje en ningún circuito. Aisle todos los cables del edificio de la línea de voltaje.



Función	Bomba de Calor	Calefacción Eléctrica
Control de Congelación Interna	Sí	Sí
Centinela de Congelación	Sí	Sí
Limitación de Temperatura Electrónica	No	No
Interruptor del Calor de la Resistencia Basada en la Temperatura Interna	Determinado por el Termostato Remoto	
Interruptor del Calor de la Resistencia Basada en la Temperatura Externa	Sí	N/A
Descongelación por Ciclo de Inversión	Sí	N/A
Calor Parcial de la Resistencia en Simultáneo con la Bomba de Calor	Sí	N/A
Bloqueo del Calor de la Resistencia	Sí	N/A
Ciclo de Ventilación del "Ventilador Inteligente"	Ventilador ENCENDIDO/AUTOMÁTICO Configurado en Termostato Remoto	Ventilador Encendido/Automático Configurado en Termostato Remoto
Central Desk Control	Sí	Sí

NOTA: La configuración del Modo de Clase 2 (Modo 6) debe ser configurado en ON (Encendido) "⏻" para que la unidad funcione con un Termostato de Pared Remoto Clase 2. (Consulte las Instrucciones de Instalación suministradas con el termostato remoto y las instrucciones del modo en la página 10).

Modelos con Aire de Reposición (no en todas las unidades)

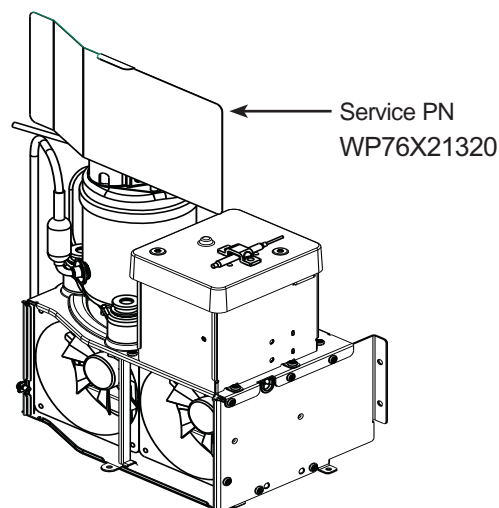
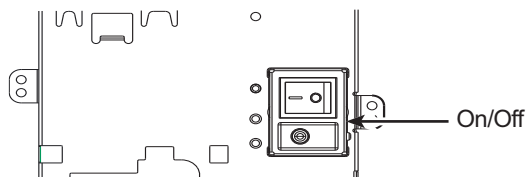
El sistema de ventilación con aire de reposición fue diseñado para brindar aire externo de forma continua, a través de la puerta de ventilación y en la sala. Además de brindar aire fresco, deshumidifica el aire entrante cuando la humedad relativa es superior al 55%.

*Modelos DAM

El sistema de ventilación de aire de reposición es operado a través de una palanca ubicada en la parte frontal de la tapa del control eléctrico, debajo del frente del espacio del Zoneline. El sistema es activado y desactivado pulsando el botón de encendido (I) o el botón de apagado (O), como se muestra en la ilustración.

Si el Zoneline debe ser operado como PTAC o PTHP únicamente, se deberán seguir los siguientes pasos:

1. Ordene la pieza de servicio N° WP76X21320.
2. Desenchufe el Zoneline.
3. Retire el frente del espacio.
4. Apague el sistema de ventilación, presionando el botón on/off (encendido/ apagado), de modo que off (apagado, O) sea seleccionado (consulte la ubicación en la ilustración que aparece más arriba).
5. Empuje hacia usted el Zoneline a través de la manga de la pared e instale la pieza de servicio N° WP76X21320, como se muestra en la ilustración.
6. Vuelva a empujar el Zoneline sobre la manga de la pared y vuelva a activar la corriente en la unidad.



*Modelos *DBM y *EBM

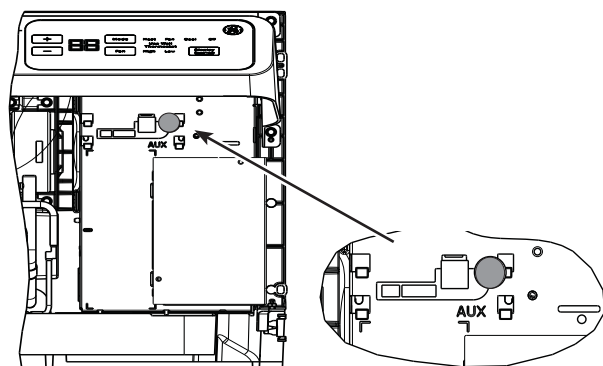
El sistema de ventilación de aire de reposición es operado a través del menú auxiliar del Zoneline (consulte la sección de Controles Auxiliares). Para encender o apagar el sistema, siga las siguientes instrucciones:

1. Retire el frente del espacio.
2. Presione el botón de control de modo y apague la unidad.
3. Presione el botón AUX SET (Config. Aux., "AU" es visualizado en la pantalla).
4. Para apagar el MUAM, presione el botón de control de modo hasta que se visualice "0" en el primer dígito.
5. Presione la tecla menos en el panel de control, hasta que se visualice "00" para apagar el módulo de aire de reposición.
6. El sistema está preconfigurado de fábrica en 35 cfm. Para modificar dicho valor, presione las teclas + o - hasta alcanzar la velocidad del ventilador deseada: 1=25cfm, 2=30cfm, 3=35cfm, 4=40cfm, 5=45 cfm y 6=50cfm
7. Pulse el botón auxiliar rojo nuevamente para regresar al funcionamiento normal.

Si el Zoneline debe ser operado como PTAC o PTHP únicamente, se deberán seguir los siguientes pasos:

1. Ordene la pieza de servicio N° WP76X21320.
2. Desenchufe el Zoneline.
3. Retire el frente del espacio.
4. Apague el módulo de la pieza de aire de reposición, como se indica más arriba.

5. Empuje hacia usted el Zoneline a través de la manga de la pared e instale la pieza de servicio N° WP76X21320, como se muestra en la ilustración.
6. Vuelva a empujar el Zoneline sobre la manga de la pared y vuelva a activar la corriente en la unidad.



NOTA: Las unidades de aire de reposición digital realizarán un control del sistema sobre el encendido, sobre el ciclo de corriente, y una vez cada 7 días si la unidad se encuentra en el modo de ocupación. El control del sistema dura aproximadamente 45 segundos. Durante este tiempo, los ventiladores se acelerarán, reducirán su velocidad, y luego irán al punto de configuración.

Cuidado y Limpieza

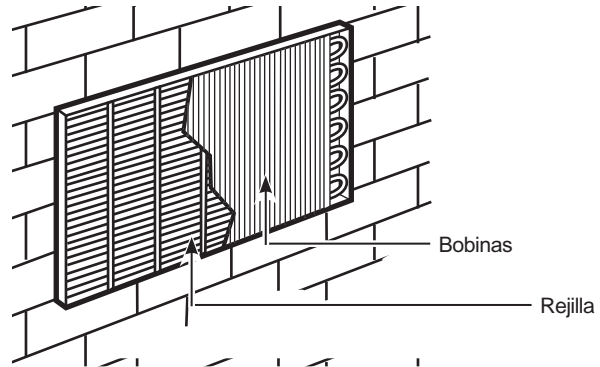
Tapa y Caja del Acondicionador de Aire de Pared

Apague el Zoneline y desconecte el suministro de corriente.

Para limpiar, use agua y un detergente suave. No use blanqueadores ni abrasivos. Algunos limpiadores comerciales pueden dañar las partes plásticas.

Bobinas Externas

Las bobinas del lado externo del Zoneline se deberán controlar de forma regular. Si están atascadas con tierra u hollín, deberán ser limpiadas a través de métodos con poca o sin presión. Asegúrese de que el área/ dispositivos eléctricos estén protegidos durante la limpieza. Deberá retirar la unidad de la manga de la pared para inspeccionar las bobinas. La acumulación de suciedad se produce del lado donde se encuentra el ventilador en la bobina externa.



Limpie las bobinas externas de forma regular.

La Bandeja de la Base

En algunas instalaciones, la tierra u otros desechos podrán ingresar a la unidad desde el exterior y asentarse en la bandeja de la base (la parte inferior de la unidad).

En algunas zonas de Estados Unidos, como naturalmente sucede, se podrá visualizar una sustancia “similar al gel” o “similar a la baba” en la bandeja de la base.

Controle la misma de forma periódica y límpiela si es necesario.

En los modelos de la Serie 4500, no retire el cable de goma del drenaje que se encuentra en la bandeja de la base. De ser retirado, se podrá drenar el exceso de agua hacia el exterior.

Filtro de la Ventilación

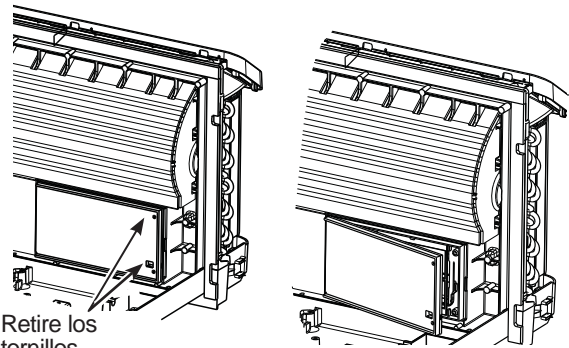
Si la puerta de la ventilación está abierta, limpie el filtro de la ventilación dos veces al año o cuando sea necesario. El acceso requiere el retiro de la unidad de la manga de la pared.

Apague el Zoneline y desenchufe el mismo antes de su retiro y limpieza.

Para limpiar el filtro de ventilación:

IMPORTANTE: El filtro no puede ser retirado. Intentar retirar este filtro dañará la unidad.

- Use una aspiradora para eliminar los desechos del filtro.
- Use un trapo húmedo para limpiar el filtro y el área circundante luego de usar la aspiradora.

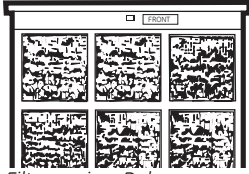


Retire los tornillos enviados (si se desea esta operación)

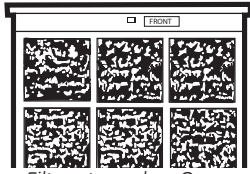
Cuidado y Limpieza

Para mantener un rendimiento óptimo, limpie los filtros por lo menos cada 30 días.

Filtros de Aire



Filtro sucio – Debe ser limpiado



Filtro atascado – Gran reducción de la refrigeración, calefacción y flujo de aire.

Apague el Zoneline antes de limpiarlo.

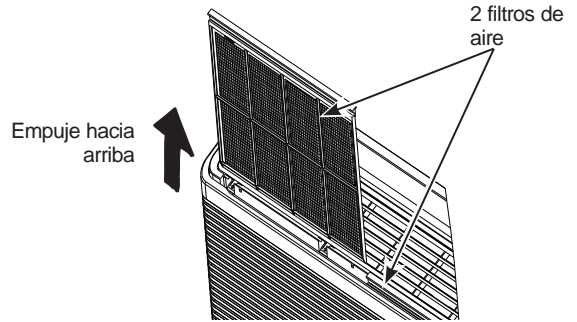
Lo más importante que puede hacer para mantener el Zoneline en buenas condiciones es limpiar el filtro por lo menos cada 30 días. Los filtros atascados reducen la refrigeración, calefacción y flujo de aire.

Mantener estos filtros limpios hará que:

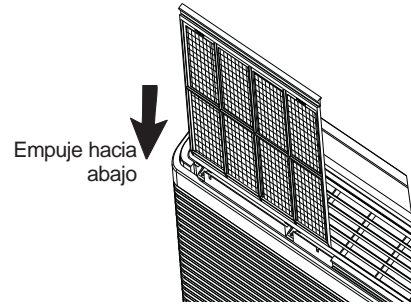
- Se reduzca el costo del funcionamiento.
- Se ahorre energía.
- Se prevenga el atascamiento de las bobinas intercambiables de calefacción.
- Se reduzca el riesgo de fallas prematuras de los componentes. Para limpiar los filtros de aire:
- Aspire la suciedad pesada.
- Deje correr agua a través de los filtros desde la parte trasera.
- Seque totalmente antes del reemplazo.

NOTA: Los filtros de aire son intercambiables y encajarán tanto del lado derecho como del izquierdo.

Para retirar los filtros de aire:



Para reemplazar los filtros de aire:



AVISO:

No utilice el Zoneline si los filtros no están en sus posiciones correspondientes. Si un filtro se rasga o daña, deberá ser reemplazado de inmediato.

Realizar el uso sin los filtros en sus posiciones correspondientes o con daños permitirá que la tierra o el polvo lleguen a la bobina interna y reduzcan el nivel de refrigeración, calefacción, flujo y de aire y eficiencia de la unidad.

Filtros de reemplazo están disponibles a través de su vendedor, minorista de GE Appliances, GE Appliances Service and Parts Center (Centro de Servicio y Piezas de GE Appliances) o de proveedores del servicio de Customer Care®.

Instrucciones de Instalación

¿Preguntas? Llame al 844-GE4-PTAC (o al 844-434-7822) o Visite nuestro sitio Web en: GEAppliances.com

ANTES DE COMENZAR

Lea estas instrucciones en su totalidad y atentamente.

- **IMPORTANTE** – Conserve estas instrucciones para uso del inspector local.
- **IMPORTANTE** – Cumpla con todos los códigos y ordenanzas gubernamentales. .
- **Nota para el Instalador** – Asegúrese de que el propietario conserve estas instrucciones.
- **Nota para el Propietario** – Conserve estas instrucciones para referencia futura.
- La correcta instalación del producto es responsabilidad del instalador.
- Si se producen fallas en el producto debido a una instalación inadecuada, la Garantía no cubrirá las mismas.

PERÍODO DE PRUEBA DE UNCIÓNAMIENTO DEL ACONDICIONADOR DE AIRE

NOTA – Al igual que con cualquier dispositivo mecánico con partes móviles, esta unidad pasará por un período de acostumbamiento. LUEGO DE LA INSTALACIÓN, esta unidad deberá ser usada durante 48 horas para lograr el nivel de eficiencia máximo.

SEGURIDAD ELÉCTRICA IMPORTANTE - LEA ATENTAMENTE

⚠ PRECAUCIÓN

- Siga las instrucciones del National Electrical Code (Código de Electricidad Nacional) (NEC) o los códigos u ordenanzas locales.
- Para su seguridad personal, el acondicionador de aire Zonline debe tener una adecuada conexión a tierra.
- Los dispositivos de protección (fusibles o disyuntores) adecuados para las instalaciones de Zonline se encuentran especificados en la placa de cada unidad.
- No utilice un cable de extensión con esta unidad.
- El cableado de aluminio puede presentar problemas especiales: consulte a un electricista calificado.
- Cuando la unidad se encuentra en la posición OFF (apagado), todavía hay voltaje en los controles eléctricos.
- Antes de realizar reparaciones en la unidad, desconecte el suministro de energía de la siguiente manera:
 - 1 Retire el cable eléctrico (si posee uno) del receptáculo de la pared. O
 - 2 Retire los fusibles de la sección o apague el disyuntor desde el panel.

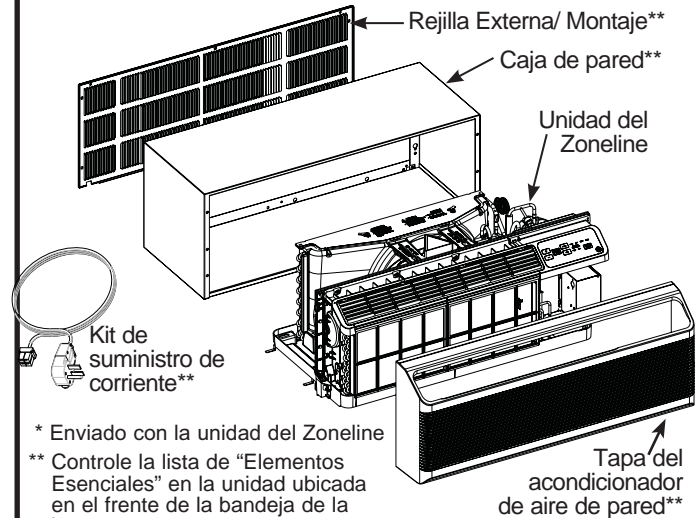
HERRAMIENTAS NECESARIAS



Destornillador Phillips y llave de tuercas de 5/16"

COMPONENTES DEL ZONELINE

El aspecto puede variar.

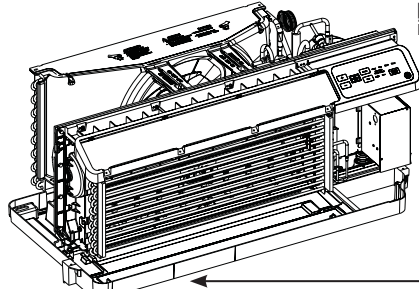


* Enviado con la unidad del Zonline

** Controle la lista de "Elementos Esenciales" en la unidad ubicada en el frente de la bandeja de la base.

Instrucciones de Instalación

REEMPLAZO DE LA UNIDAD EXISTENTE



Controle la etiqueta de "Elementos Esenciales" para acceder a información importante.

Use la caja de pared correcta

Esta unidad fue diseñada para ser instalada en la caja de la pared metálica de plástico o aislada de GE Appliances. Esto minimiza la formación de condensación del lado de la caja del acondicionador de aire de pared.

NOTA: Existen varios agujeros adicionales en las lengüetas laterales de la unidad para la instalación en otras cajas de pared que no sean de GE Appliances. A fin de evitar daños en la aislación de la pestaña, el instalador deberá usar un punzón u otra herramienta puntiaguda para perforar la aislación en los agujeros apropiados antes de instalar los tornillos de adhesión.

Use la rejilla externa adecuada

Deberá usar las rejillas externas mostradas en la etiqueta de "Elementos Esenciales" de la bandeja de la base.

- Si una rejilla existente no es reemplazada, la capacidad y eficiencia se verán reducidas y la unidad podrá no funcionar de forma adecuada o fallar de forma prematura. Un kit del deflector, RAK40, podrá ser usado con rejillas que no fueron diseñadas para su nuevo Zoneline de GE Appliances. El RAK40 contiene deflectores de aire y juntas que se montan a la unidad para alejar la salida del aire caliente de la entrada de aire, y permitir que la unidad funcione correctamente. **La rejilla debe contar con un área libre mínima de un 65 % (según lo calculado por ASHRAE).** Para acceder a información más detallada, consulte el Manual de Datos de Arquitectos e Ingenieros (Architects and Engineers Data Manual).
- Cualquier deflector vertical de una rejilla trasera existente de GE deberá ser retirada a fin de reducir la recirculación de aire del condensador que puede hacer que la unidad realice un "ciclo corto" y conducir a fallas prematuras de los componentes.

Use el cable de corriente adecuado

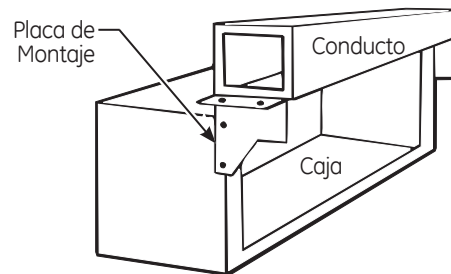
Los códigos locales pueden requerir el uso de dispositivos de fallas de arco o de detección de pérdidas de corriente en instalaciones de 230/208 voltios.

Reemplazo de una unidad con conducto

Nueva instalación con conducto: Si esta unidad será instalada en una nueva aplicación con conducto utilizando un kit de adaptador de conducto, el kit deberá ser instalado antes de que la unidad sea ubicada en una caja de pared. Siga las instrucciones de instalación incluidas con el kit.

Kits de conductos disponibles:

RAK6053
RAK601B/602B



Instalación con conducto existente:

El reemplazo de una unidad con conducto existente podrá requerir diferentes componentes. Solicite esta información a su representante de ventas. **Los sellos del conducto en la unidad existente deben ser retirados y agregados a la nueva unidad.**

- **Reemplazo de las unidades de 230/208 voltios:**
Consulte la página 18.

- **Reemplazo de las unidades de 265 voltios:**
Consulte la página 19.

Al usar un kit del conducto, siempre se debe usar el Modo 7 en ON (Encender) "□□". Consulte las instrucciones de Modo en la página 10.

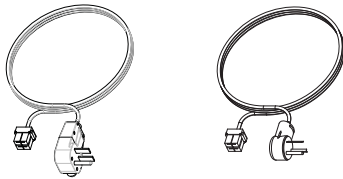


Modo de Conducto
Mostrado en ON
(Encendido)

OPCIONES DE CONEXIÓN ELÉCTRICA DE 230/208 VOLTIOS

CONEXIÓN DEL CABLE DE CORRIENTE

Dependiendo de la aplicación, un kit de suministro de corriente con LCDI deberá ser usado para suministrar corriente a la unidad del Zoneline. El kit apropiado es determinado por el voltaje, los medios de conexión eléctrica y el amperaje del circuito de empalmes.



Kit de suministro de corriente
(El aspecto puede variar)

Las conexiones de los circuitos de 208 o 230 voltios pueden estar con un kit de suministro de corriente o un kit de caja de empalmes.

Todo el cableado, incluyendo la instalación del receptáculo, deberá cumplir con el NEC y los códigos, ordenanzas y reglamentaciones locales. Los códigos requieren el uso de un dispositivo de detección de fallas de arco o pérdidas de corriente en el cable de corriente, excepto en contacto directo. Asegúrese de seleccionar el cable correcto para su instalación.



Tándem
15 amperes



Perpendicular
20 amperes



Tándem Grande
30 amperes

Configuración del receptáculo de 230/208 voltios

Calificación del Circuito de Empalmes y del Amperaje de la Unidad	Cable de Corriente de GE Adecuado con Dispositivo LCDI
15	RAK315P
20	RAK320P
30	RAK330P

Los cables de corriente pueden incluir un dispositivo de interrupción de fallas de arco o de detección de pérdidas de corriente. Se brinda un botón de evaluación y reinicio en la caja del enchufe o en la caja en línea. El dispositivo deberá ser evaluado de forma periódica, presionando primero el botón TEST (Evaluar) y luego RESET (Reinicio). Si el botón TEST (Evaluar) no se activa o el botón RESET (Reinicio) no permanece en su posición, deje de usar el Zoneline y comuníquese con un técnico calificado del servicio.

CONEXIÓN ELÉCTRICA DE SUB-BASE

Los modelos 230/208 podrán ser instalados usando una de las siguientes sub-bases eléctricas:

Calificación del Circuito de Empalmes y del Amperaje de la Unidad	Kit Adecuado de la Sub-base de GE
15	RAK204D15C
20	RAK204D20C
30	RAK204D30C

Las sub-bases eléctricas brindan un cerramiento para la conexión directa o receptáculos cerrados. El kit de sub-base incluye el cable de corriente.

Las instrucciones provistas con el kit de sub-base seleccionado se deben seguir de forma cuidadosa. Es responsabilidad del instalador asegurar que la conexión de los componentes sea realizada de acuerdo con estas instrucciones y siguiendo todos los códigos de electricidad.

Si usará una conexión de sub-base, la Caja de Empalmes RAK4002C también es necesaria para una instalación completa.

CONEXIÓN DIRECTA

Ordene el siguiente Kit para la conexión directa de 230/208 voltios, según lo requerido:

Calificación del Circuito de Empalmes y del Amperaje de la Unidad	Kit de suministro de corriente
15	RAK315D
20	RAK320D
30	RAK330D

Revise las instrucciones de instalación provistas con el cable de corriente o con los kits de conexión directa para acceder a instrucciones detalladas sobre el ensamble.

Si usará una conexión de sub-base, la Caja de Empalmes RAK4002C también es necesaria para una instalación completa.

Instrucciones de Instalación

OPCIONES DE CONEXIÓN ELÉCTRICA DE 265 VOLTIOS

ADVERTENCIA

La conexión de este producto de 265 voltios de CA a un circuito derivado DEBE realizarse mediante una conexión directa de acuerdo a las indicaciones del NEC. El código no permite enchufar esta unidad a una caja externa.

Estos modelos deben instalarse utilizando el kit de GE de suministro de energía adecuado para el amperaje de circuito derivado y el vatiaje deseado para el calefactor de resistencia eléctrica. Utilice la TABLA DE CONEXIONES ELÉCTRICAS en la página 18 para determinar cuál es el kit necesario. Debe utilizarse uno de los siguientes métodos de instalación.

A. PARA UNA INSTALACIÓN SUB-BASE

Kits de sub-base eléctricos están disponibles para brindar un cerramiento flexible para la conexión directa.

Calificación del Circuito de Empalmes y del Amperaje de la Unidad	Kit Adecuado de la Sub-base de GE	Kit de suministro de corriente
15	RAK204E15	RAK515P
20	RAK204E20	RAK520P
30	RAK204E30	RAK530P

Las instrucciones provistas con el kit de sub-base seleccionado se deben seguir de forma cuidadosa. Es responsabilidad del instalador asegurar que la conexión de los componentes sea realizada de acuerdo con estas instrucciones y siguiendo todos los códigos de electricidad.

B. PARA UNA INSTALACIÓN CON CONEXIÓN DIRECTA

Si no se utilizará una sub-base eléctrica, la conexión directa al cableado del circuito de empalmes dentro de la caja de empalmes provista deberá ser realizada de acuerdo con los siguientes pasos.

Ordene el siguiente Kit para la conexión directa de 265 voltios, según lo requerido:

Calificación del Circuito de Empalmes y del Amperaje de la Unidad	Kit de suministro de corriente
15	RAK515D
20	RAK520D
30	RAK530D

Revise las instrucciones de instalación provistas con el cable de corriente o con los kits de conexión directa para acceder a instrucciones detalladas sobre el ensamble.

Instrucciones de Instalación

CUADRO DE CONEXIÓN DE CORRIENTE

Conexiones del Cable de Corriente

Kits de Suministro de Corriente de 230/208 Voltios con Dispositivo de Detección de Pérdida de Corriente (1)	Configuración del Enchufe de Pared	Dispositivo de Protección del Circuito	Potencia Eléctrica del Calentador a 230/208 Voltios
RAK315P/SP RAK320P/SP RAK330P/SP	Tándem Perpendicular Tándem Grande	Fusible o Disyuntor con Tiempo de Retraso de 15 Amperes Fusible o Disyuntor con Tiempo de Retraso de 20 Amperes Fusible o Disyuntor con Tiempo de Retraso de 30 Amperes	2.40/1.96 KW 3.40/2.78 KW 4.80/3.93 KW (Ventilador Alto) 3.80/3.11 KW (Ventilador Bajo)

* Para una Instalación de Sub-base de 265V, siga la referencia de la Caja A, página 19 para el emparejamiento adecuado del Kit de Suministro de Corriente de la Sub-base.

Conexiones Directas

Kits de Suministro de Corriente de 230/208 Voltios (2)	Dispositivo de Protección del Circuito	Potencia Eléctrica del Calentador a 230/208 Voltios
RAK315D RAK320D RAK330D	Fusible o Disyuntor con Tiempo de Retraso de 15 Amperes Fusible o Disyuntor con Tiempo de Retraso de 20 Amperes Fusible o Disyuntor con Tiempo de Retraso de 30 Amperes	2.40/1.96 KW 3.40/2.78 KW 4.80/3.93 KW (Ventilador Alto) 3.80/3.11 KW (Ventilador Bajo)

Kits de Suministro de Corriente de 265 Voltios	Dispositivo de Protección del Circuito	Potencia Eléctrica del Calentador a 265 Voltios
RAK515D RAK520D RAK530D	Fusible o Disyuntor con Tiempo de Retraso de 15 Amperes Fusible o Disyuntor con Tiempo de Retraso de 20 Amperes Fusible o Disyuntor con Tiempo de Retraso de 30 Amperes	2.40 KW 3.40 KW 4.80 KW (Ventilador Alto) 3.8 KW (Ventilador Bajo)

(1) Una caja de empalmes es incluida con los kits SP.

(2) Una caja de empalmes es incluida con estos kits.

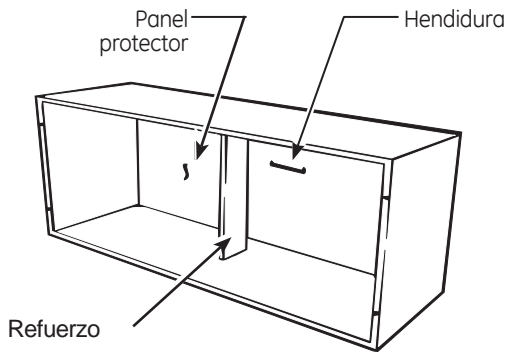
Instrucciones de Instalación

INSTALACIÓN DEL ZONELINE

1. INSTALE LA CAJA DE PARED Y LA PARRILLA EXTERNA

La caja de pared de la serie RAB71A/B o RAB77A4/77B debe ser correctamente instalada de acuerdo con las instrucciones embaladas con la caja.

- Retire el refuerzo corrugado y el panel de protección externa. Use la hendidura del panel externo como sujeción y empuje hacia afuera.

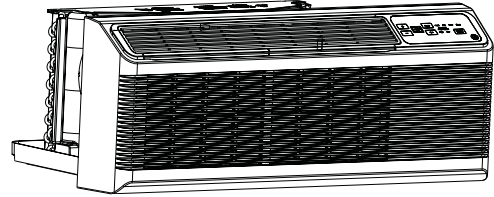


- Instale la parrilla externa del costado del acondicionador de aire de pared, siguiendo las instrucciones embaladas con la parrilla.

NOTA: Para la instalación con una sub-base o un adaptador de conducto, consulte las instrucciones embaladas con estos kits.

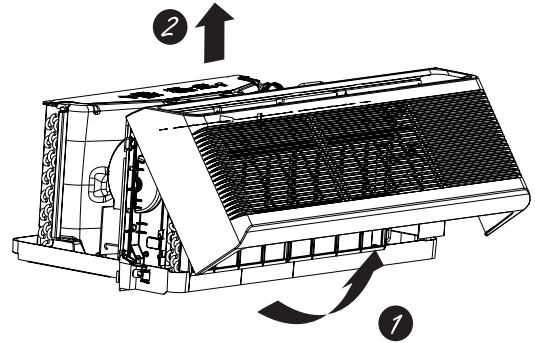
2. PREPARE LA UNIDAD

- Con cuidado, retire los bloques de gomaespuma del embalaje que se encuentran en el frente del acondicionador de aire de pared, del compresor y del ventilador externo. Es posible que haya varios bloques y cinta de piezas de embalaje que deban ser retiradas.

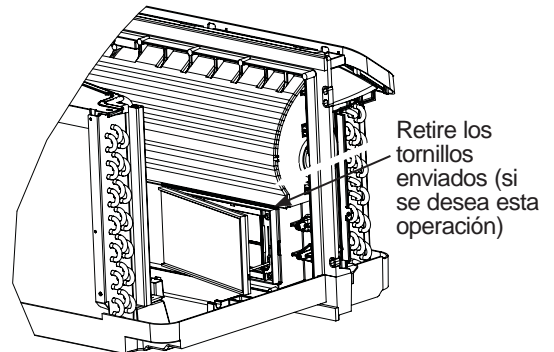


Cinta de embalaje
(las ubicaciones pueden variar)

- Retire la tapa del acondicionador de aire de pared, empujando hacia afuera en la parte inferior para liberarlo (1); luego levante el mismo para despejar el riel a lo largo de la parte superior de la unidad (2).



- Si la puerta de la ventilación quedará funcional, retire los tornillos enviados del lado frontal de la puerta de ventilación, si está presente.

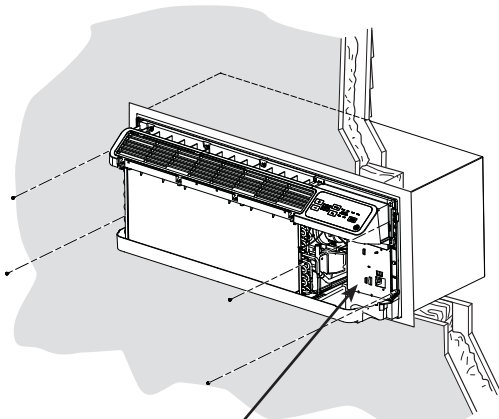


INSTALACIÓN DEL ZONELINE (CONT.)

3. INSTALE LA UNIDAD EN LA CAJA DE PARED

Deslice la unidad en la caja de pared y asegure la misma con cuatro tornillos a través de los agujeros de la lengüeta de la unidad.

Los cuatro tornillos estarán ubicados en una bolsa sellada que está apoyada debajo del panel de control, sobre el bolsillo de la bandeja de la base.

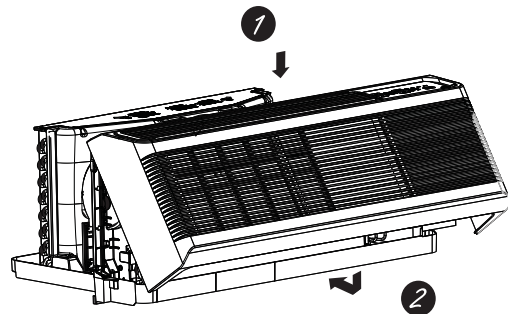


Los cuatro tornillos de la caja de pared estarán encintados al bolsillo, frente a la caja de control.

NOTA: Existen varios agujeros adicionales en las lengüetas laterales de la unidad para la instalación en otras cajas de pared que no sean de GE Appliances. A fin de evitar daños en la aislación de la pestaña, el instalador deberá usar un punzón u otra herramienta puntiaguda para perforar la aislación en los agujeros apropiados antes de instalar los tornillos de adhesión.

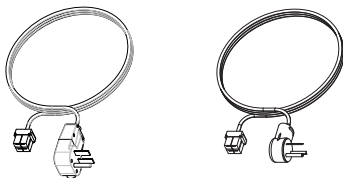
5. REEMPLACE EL FRENTE DEL ACONDICIONADOR DE AIRE DE PARED

Reinstale la tapa del acondicionador de aire de pared, alineando y colocando el riel superior de la tapa del acondicionador de aire de pared sobre el chasis (1), y luego empujando el mismo en la parte inferior (2).



4. CONECTE EL CABLE DE CORRIENTE O EL KIT DE CONEXIÓN DIRECTA

Revise las instrucciones de instalación provistas con el cable de corriente o con los kits de conexión directa para acceder a instrucciones detalladas sobre el ensamble.



Kit de suministro de corriente (el aspecto puede variar)

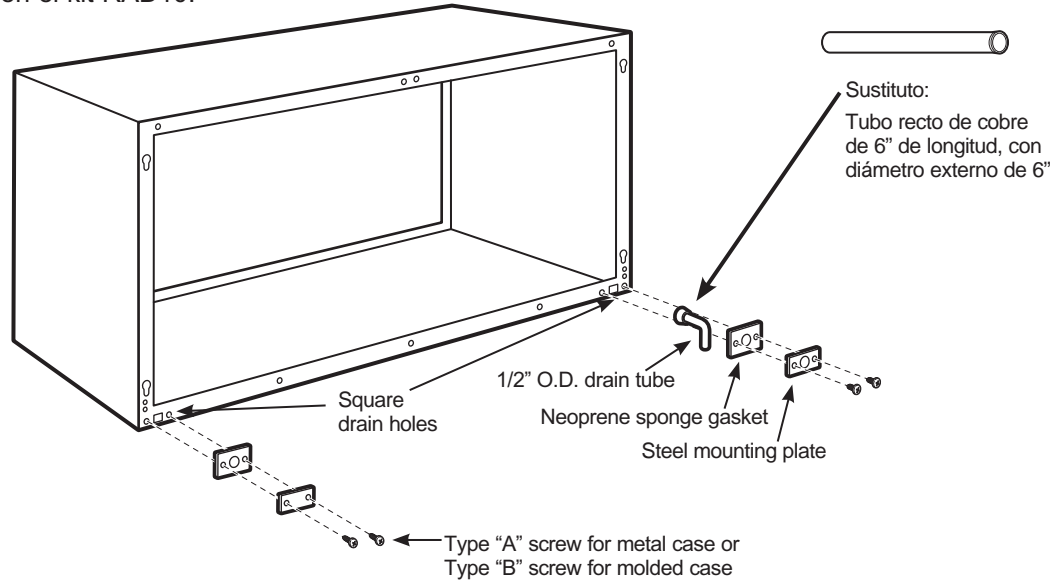
Instrucciones de Instalación

OPCIONAL – INSTALACIÓN DEL KIT DE DRENAJE

Los modelos de la Serie Dry Air 25 fueron diseñados para mejorar la deshumidificación en un 25%. Debido a que mayor cantidad de humedad será eliminada del aire, existe mayor posibilidad de que el agua gotee desde la caja de la pared con relación a una unidad estándar. Para evitar que esta agua gotee sobre las paredes externas del edificio, recomendamos el uso de un Kit de Drenaje RAD10.

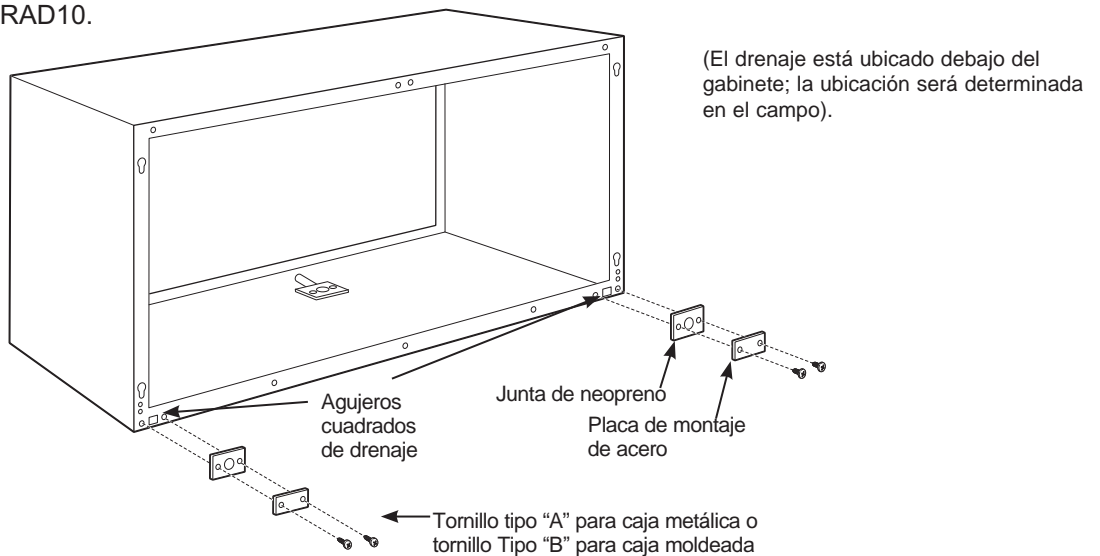
Drenaje Externo

Consulte las Instrucciones de Instalación en el kit RAD10.



Drenaje Interno

Consulte las Instrucciones de Instalación en el kit RAD10.



Consejos para la Solución de Problemas... Antes de solicitar el servicio técnico

¡Ahorre tiempo y dinero! Primero revise los cuadros que aparecen en las siguientes páginas y es posible que no necesite solicitar reparaciones.

Problema	Causa Posible	Qué Hacer
El Zoneline no se inicia.	La unidad está desenchufada.	Asegúrese de que el enchufe del Zoneline esté completamente enchufado en el tomacorriente.
	El cable de corriente no está conectado de manera firme.	Retire la tapa del acondicionador de aire de pared y asegúrese de que el conector negro del extremo del cable de corriente esté conectado de manera firme.
	Se quemó el fusible/ el disyuntor está activado	Controle la caja de fusibles/ disyuntor de su hogar y reemplace el fusible o reinicie el disyuntor.
	La unidad está esperando a que el protector de sobrecarga del compresor se reinicie.	Esto es normal. El Zoneline empezará a funcionar nuevamente luego de reiniciarse.
	Corte de Corriente.	Si se produce un corte de corriente, configure el control de modo en OFF (Apagado). Una vez restablecida la corriente, configure el control de modo en la configuración deseada. Hay un retraso de tiempo por protección (aproximadamente 3 minutos) a fin de evitar activaciones en la sobrecarga del compresor. Por esta razón, es posible que la unidad no comience a calefaccionar o refrigerar de forma normal por 3 minutos luego de haber sido conectada nuevamente.
El interruptor del cable de corriente eléctrica está activado.	Presione el botón RESET (Reiniciar) ubicado en el enchufe del cable de corriente o en la caja cerca del enchufe. Si el botón RESET (Reiniciar) no permanece conectado, interrumpa el uso del Zoneline y comuníquese con un técnico calificado del servicio.	
El Zoneline no enfría ni calienta como debería.	El flujo de aire está obstruido.	Asegúrese que no haya cortinas, persianas ni muebles que bloqueen la parte frontal del Zoneline.
	El flujo de aire externo está restringido o se lo hace circular nuevamente.	Asegúrese de que la parrilla trasera no esté restringida. Esto puede hacer que la unidad deje de realizar ciclos, debido al protector de sobrecarga del compresor. La rejilla externa debe contar con un área libre mínima del 65%. Las rejillas que no sean de GE Appliances podrán restringir el funcionamiento adecuado. Consulte a su vendedor para solicitar asistencia.
	Es posible que el control de temperatura no esté correctamente configurado.	Cambia el control a una configuración más baja o más alta. NOTA: Es posible que el limitador de temperatura esté limitando el rango de temperatura..
	El filtro de aire está sucio.	Limpie el filtro por lo menos cada 30 días. Consulte la sección de Instrucciones de Funcionamiento.
	Es posible que el ambiente haya estado caliente o frío.	Cuando el Zoneline se encienda por primera vez, deberá dejar transcurrir un período de tiempo para que el ambiente se enfríe o caliente.
	El aire externo está entrando a la habitación.	Configure el control de ventilación en la posición cerrada. NOTA: Las unidades equipadas con ventilación de reposición permitirán la entrada de cierta cantidad de aire externo de forma continua en la habitación.
Olor a quemado al iniciar el funcionamiento de la calefacción.	Polvo en la superficie de los elementos de calefacción.	Esto puede generar un olor "a quemado" cuando se inicie el funcionamiento de la calefacción. Deberá desaparecer rápidamente.

Consejos para la Solución de Problemas... Antes de solicitar el servicio técnico

¡Ahorre tiempo y dinero! Primero revise los cuadros que aparecen en las siguientes páginas y es posible que no necesite solicitar reparaciones.

Problema	Causa Posible	Qué Hacer
El aire no siempre está fresco o caliente durante el funcionamiento.	La bomba de calor no está produciendo aire caliente.	Esto es normal. La bomba de calor producirá aire caliente pero no tan caliente como el aire producido cuando el calor eléctrico de más alto costo sea usado.
	Los Controles Auxiliares del Smart Fan (Ventilador Inteligente) pueden ser configurados en ventilación continua.	Esto hace que el ventilador produzca aire a temperatura ambiente, incluso cuando el compresor o el calentador dejen de realizar ciclos. El movimiento continuo del aire brinda un mejor control general de la temperatura en el modo para refrescar. Consulte Refrescar/ Calefaccionar con el Smart Fan (Ventilador Inteligente) en la página 8.
El aire no se siente lo suficientemente caliente durante el funcionamiento de la calefacción.	La bomba de calor sola produce aire que se siente más frío que lo deseado.	Use la Opción de Calefacción Eléctrica. Esto apaga la bomba de calor y calienta con calefacción eléctrica únicamente. NOTA: El uso de esta opción resultará en un mayor consumo de energía.
La unidad no produce aire.	El Control Auxiliar del Smart Fan (Ventilador Inteligente) puede ser configurado en ciclos.	Consulte Refrescar/ Calefaccionar con el Smart Fan (Ventilador Inteligente) en la página 8.
Las funciones de calefacción eléctrica y ventilador no funcionan.	El cable de corriente no está conectado de manera firme.	Retire la tapa del acondicionador de aire de pared y asegúrese de que el conector negro del extremo del cable de corriente esté conectado de manera firme.
La pantalla de temperatura titila.	Es posible que el compresor haya fallado.	Configure el control de funcionamiento en OFF (Apagado) y luego reinicie la unidad. Si la luz titilante vuelve a aparecer dentro de los 30 minutos, llame al servicio técnico.
La unidad no funciona luego de reinstalar el Termostato de la Pared Remota.	El modo 6 auxiliar no está configurado correctamente.	Verifique que el cableado del TStat de la Pared Remota sea el correcto al conector del termostato de la unidad.
	Las conexiones del termostato de la unidad son incorrectos.	Controle el modo 6 auxiliar para asegurarse de que el interruptor esté "activado" para el Termostato Remoto; consulte la página 10.
	El transformador se desactiva o activa de forma corta.	Espere 5 minutos para verificar si la corriente se reinicia.
La bomba de calefacción funciona con calor electrónico sólo durante la calefacción.	El Modo Aux. 6 no está correctamente configurado.	El control del Modo Aux. 6 fue configurado para el termostato de pared remoto apropiado, ya sea "I" para refrigeración/ calefacción "F" "Cambio Automático"; consulte la página 8.
	El Modo Aux. 8 no está correctamente configurado.	Controle el Modo Aux. 8 y asegúrese de que la palanca esté en "off" (apagada) para el funcionamiento de la bomba de calor; consulte la página 9.

Sonidos de Funcionamiento Normal

¡Ping! ¡Pop!



Es posible que escuche un sonido de ¡ping! ocasionado por el agua recogida y arrojada contra el condensador en días lluviosos o cuando el nivel de humedad sea alto. Esta función ayuda a eliminar la humedad y mejorar el nivel de eficiencia.

“CLICK”

Es posible que escuche sonidos de clic del relé cuando se realice el ciclo de encendido y apagado de los controles o cuando sean ajustados para cambiar la temperatura del ambiente.

GOTEO



Se acumulará agua en la bandeja de la base cuando el nivel de humedad sea alto o en días lluviosos. Es posible que el agua se desborde y gotee desde el lado externo de la unidad.

WHIR!



El ventilador interno funciona de forma continua cuando la unidad está operando el modo para refrescar, a menos que el Control Auxiliar del Smart Fan (Ventilador Inteligente) esté configurado en la función de ciclos. Esto hará que el ventilador se encienda y apague con el compresor. También podrá escuchar el ruido de detención o inicio de un ventilador.

Hay momentos en que el ventilador de la unidad funcionará de forma pareja cuando la unidad no esté calentando ni refrescando. Si el sistema es configurado para funcionar con ventilador continuo, el ventilador interno funcionará sin importar que la unidad esté refrescando o calefaccionando. Otras veces, el ventilador funcionará por más tiempo que el ciclo de calefacción/ refrigeración o se iniciará ocasionalmente. Esto es normal y es realizado para mejorar el confort y balance del ambiente.

Si la unidad está equipada con un sistema de ventilación de aire de reposición, los ventiladores funcionarán de manera continua.

La unidad de aire de reposición digital realizará un control del sistema sobre el encendido, sobre el ciclo de corriente, y una vez cada 7 días si la unidad se encuentra en el modo de ocupación. El control del sistema dura aproximadamente 45 segundos. Durante este tiempo, los ventiladores se acelerarán, reducirán su velocidad, y luego irán al punto de configuración.

Retraso de 3 Minutos



Es posible que note algunos minutos de retraso en el inicio, si intenta reiniciar el Zoneline demasiado pronto luego de apagarlo o si ajusta el termostato junto después de apagar el compresor. Esto se debe a que un protector de reinicio incorporado para el compresor genera un retraso de 3 minutos.

SILENCIO

Durante el ciclo de descongelación, tanto el ventilador interno como el externo se detendrán y el compresor funcionará en el modo de refrigeración para eliminar escarcha de la bobina externa. Luego de la descongelación, la unidad se reiniciará en el modo de calefacción eléctrica para calentar de forma rápida la habitación en el nivel de confort deseado.

PROTECCIÓN DEL COMPRESOR

Para proteger el compresor y evitar ciclos cortos, la unidad fue diseñada para funcionar durante un mínimo de 3 minutos luego de que el compresor se inicie en cualquier configuración del termostato.

Garantía del Zoneline de GE Appliances

Todo el servicio de garantía es provisto por nuestros Centros de Servicio de Fabricación, o un técnico autorizado del Servicio al Cliente (Customer Care®). Para programar una visita del servicio técnico a través de Internet, visítenos en GEAppliances.com, o llámenos al 844. GE4.PTAC (o 844.434.7822). Para acceder al servicio técnico en Canadá, comuníquese con Gordon Williams Corp. At 1.888.209.0999. Cuando llame para solicitar el servicio, tenga los números de serie y modelo disponibles.

Por el Período de:	GE Appliances Reemplazará:
Un Año <i>Desde la fecha de compra original</i>	Cualquier parte del acondicionador de aire que falle debido a un defecto en los materiales o la fabricación. Durante esta garantía limitada de un año , GE Appliances proveerá, sin costo , todo el trabajo y los costos del servicio relacionados con el reemplazo de la pieza que presente defectos.
Cinco Años <i>Desde la fecha de compra original</i>	El Sistema de Refrigeración Sellado , si cualquier pieza del sistema de refrigeración sellado (el compresor, condensador, evaporador y todas las cañerías de conexión, incluyendo el sistema de aire de reposición) falla debido a un defecto en los materiales o la fabricación. Durante esta garantía limitada de cinco años , GE Appliances proveerá, sin costo , todo el trabajo y los costos del servicio relacionados con el reemplazo de la pieza que presente defectos.
El Segundo al Quinto Años <i>Desde la fecha de compra original</i>	Motores de Ventiladores, Interruptores, Termostato, Calentador, Protectores del Calentador, Sobrecarga del Compresor, Solenoides, Tableros de Circuitos, Controles Auxiliares, Termistores, Centinela de Refrigeración, Controles de Congelamiento, Bomba ICR, Capacitores, Varistores, Cojinetes del Ventilador Interno , si cualquiera de estas piezas falla debido a un defecto en los materiales o la fabricación. Durante esta garantía limitada adicional de cuatro años , el cliente será responsable por cualquier trabajo o costos relacionados con el servicio técnico.

Qué No Cubrirá GE Appliances:

- Viajes del técnico del servicio a su hogar para enseñarle sobre el uso del producto.
- Instalación, entrega o mantenimiento inadecuados.
Si tiene un problema de instalación o el aire acondicionado no posee la capacidad de refrigeración adecuada con relación al uso deseado, contacte a su vendedor minorista o instalador. Usted es responsable de brindar instalaciones de conexión eléctrica adecuadas.
- En ubicaciones comerciales, el trabajo necesario para trasladar la unidad a una ubicación donde esté accesible para que un técnico pueda brindarle el servicio.
- Fallas o daños que resulten de la corrosión debido a la instalación en un ambiente donde haya químicos corrosivos.
- Reemplazo de fusibles o reinicio de disyuntores.
- Falla del producto como resultado de modificaciones en el mismo o debido a un uso irrazonable, incluyendo la falta de mantenimiento razonable o necesario.
- Fallas o daños como resultado de la corrosión, debido a instalaciones en ambientes costeros, excepto los modelos tratados con protección anticorrosiva con aplicación especial de fábrica, de acuerdo con lo designado en el número de modelo.
- Daños sobre el producto ocasionados por un nivel de suministro de voltaje inadecuado, accidente, incendio, inundaciones o catástrofes naturales.
- Daños consecuentes o incidentales sobre la propiedad personal causados por posibles defectos del acondicionador de aire.
- Daño causado luego de la entrega.
- Producto no accesible para brindar el servicio requerido.

EXCLUSIÓN DE GARANTÍAS IMPLÍCITAS—Su única y exclusiva alternativa es la reparación del producto, como se indica en la Garantía Limitada. Las garantías implícitas, incluyendo garantías implícitas de comerciabilidad o conveniencia sobre un propósito particular, se limitan a un año o al período más corto permitido por la ley.

Esta garantía se extiende al comprador original y a cualquier dueño subsiguiente de productos comprados para uso hogareño dentro de EE.UU y Canadá. Si el producto está ubicado en un área donde no se encuentra disponible un Proveedor Autorizado del Servicio Técnico de GE Appliances, usted será responsable por el costo de un viaje o se podrá requerir que traiga el producto a una ubicación del Servicio Técnico de GE Appliances Autorizado para recibir el servicio. En Alaska, la garantía excluye el costo de envío o llamadas del servicio a su hogar.

Algunos estados o provincias no permiten la exclusión o limitación de daños fortuitos o consecuentes. Esta garantía le da derechos legales específicos, y es posible que tenga otros derechos legales que varían entre un estado y otro, o entre una provincia y otra. Para conocer cuáles son sus derechos legales, consulte a la oficina de asuntos del consumidor local, estatal o provincial o al Fiscal de su estado.

Garante : GE Appliances

Soporte al Cliente

GE Appliances Sitio Web

¿Desea realizar una consulta o necesita ayuda con su electrodoméstico? ¡Intente a través del Sitio Web de Electrodomésticos de GE Appliances las 24 horas del día, cualquier día del año! Usted también puede comprar más grandiosos productos de GE Appliances y sacar ventaja de todos nuestros servicios a través de Internet diseñados para su conveniencia. En EE.UU.: GEAppliances.com

Registre su Electrodoméstico

¡Registre su electrodoméstico nuevo a través de Internet, según su conveniencia! Un registro puntual de su producto permitirá una mejor comunicación y un servicio más puntual de acuerdo con los términos de su garantía, en caso de surgir la necesidad. También puede enviar una carta en la tarjeta de inscripción pre-impresa que se incluye con el material embalado. En EE.UU.: GEAppliances.com/register

Servicio Programado

El servicio de reparación de expertos de GE Appliances está a sólo un paso de su puerta. ¡Conéctese a través de Internet y programe su servicio a su conveniencia cualquier día del año! En EE.UU.: GEAppliances.com/ge/service-and-support/service.htm o llame al 800.432.2737 durante el horario comercial habitual.

Garantías Extendidas

Adquiera una garantía extendida de GE Appliances y aprenda sobre descuentos especiales que están disponibles mientras su garantía aún está vigente. La puede adquirir en cualquier momento a través de Internet. Los Servicios de GE Appliances aún estarán allí cuando su garantía caduque. En EE.UU.: GEAppliances.com/ge/service-and-support/shop-for-extended-service-plans.htm o llame al 800.626.2224 durante el horario comercial habitual.

Conectividad Remota

Para solicitar asistencia con la conectividad de red inalámbrica (para modelos con activación remota), visite nuestro sitio Web en GEAppliances.com/ge/connected-appliances/ o llame al 800.220.6899 en EE.UU.

Piezas y Accesorios

Individuos calificados para realizar el servicio técnico de sus propios electrodomésticos podrán solicitar el envío de piezas o accesorios directamente a sus hogares (se aceptan las tarjetas VISA, MasterCard y Discover). Ordene a través de Internet hoy durante las 24 horas del día. En EE.UU.: GEApplianceparts.com o por teléfono al 877.959.8688 durante el horario comercial habitual.

Las instrucciones que figuran en este manual cubren los procedimientos que serán realizados por cualquier usuario. Otros servicios técnicos generalmente deberían ser derivados a personal calificado del servicio. Se deberá tener cuidado, ya que una reparación indebida podrá ocasionar que el funcionamiento no sea seguro.

Contáctenos

Si no se encuentra satisfecho con el servicio que recibió de GE Appliances, comuníquese con nosotros a través de nuestro sitio Web con todos los detalles, incluyendo su número telefónico, o escriba a:

En EE.UU.: General Manager, Customer Relations | GE Appliances, Appliance Park | Louisville, KY 40225 GEAppliances.com/ge/service-and-support/contact.htm