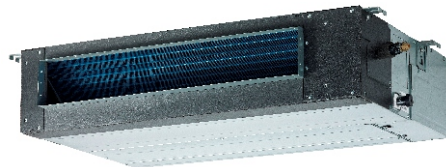


# Brivis

## Inverter Multi-Head Split System

R410A

### USER MANUAL



**PLEASE READ THESE INSTRUCTIONS CAREFULLY  
BEFORE USING THIS PRODUCT**



# CONTENTS

---

## **ENVIRONMENTAL RESPONSIBILITY**

Environment .....	2
-------------------	---

## **SAFETY PRECAUTIONS**

Warning .....	3
Caution .....	4

## **OPERATING INSTRUCTIONS**

Component names .....	5
Operating temperature limits .....	8
Manual operation .....	8
Airflow direction control .....	9
How the system works .....	10

## **CARE AND MAINTENANCE**

Care and maintenance .....	12
----------------------------	----

## **OPERATING TIPS**

Operation tips .....	29
----------------------	----

## **TROUBLESHOOTING GUIDE**

Troubleshooting .....	16
-----------------------	----

### **CAUTION**

- Contact an authorised service technician for repair or maintenance of this unit.
- This product shall be installed by a suitably qualified installation technician.
- This appliance is not intended for use by persons (including children) with reduced physical, sensory or mental capabilities, or lack of experience and knowledge, unless they have been given supervision or instruction concerning use of the appliance by persons responsible for their safety.
- Young children should be supervised to ensure that they do not play with the system.
- If the power cord needs replacement, this work must be performed by authorised personnel only.
- Installation must be carried out in strict accordance with all local and national wiring standards by authorised personnel only.

## ENVIRONMENTAL RESPONSIBILITY

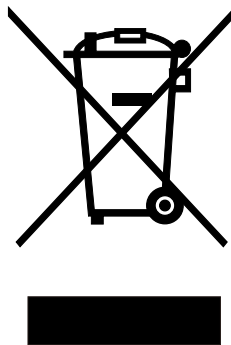
---

**DISPOSAL:** Do not dispose of this product as unsorted municipal waste. Special, separate collection of this type of product is necessary.

It is prohibited to dispose of this appliance in domestic household waste.  
For disposal, consider the following possibilities:

- A) The municipality has established collection systems, where electronic waste can be disposed of.
- B) As this product contains valuable resources, they can be recycled and sold to scrap metal merchants or dealers.



Uncontrolled disposal of waste in forests and landscapes endangers your health when potentially hazardous substances leak into the ground-water and find their way into the food chain.





## SAFETY PRECAUTIONS

To prevent injury to the user, other people and/or property damage, the following instructions must be followed. Incorrect operation may cause harm or damage.

The seriousness is classified by the following indications.

 <b>WARNING</b>	This symbol indicates the possibility of death or serious injury.
 <b>CAUTION</b>	This symbol indicates the possibility of injury or damage to property.

■ Meanings of symbols used in this manual are as shown below.

	<b>Never do this.</b>
	<b>Always do this.</b>

### **WARNING**

**Ⓢ Connect to the power supply correctly.**

- Incorrect connection may cause electrical shock or fire due to overheating.

**Ⓢ Do not start or stop the unit by switching on or off at the power point.**

- It may cause electric shock or fire due to overheating.

**Ⓢ Do not use damaged or unspecified power cords.**

- It may cause electric shock or fire.

**Ⓢ Do not modify power cord length or share the outlet with other appliances**

- It may cause electric shock or fire due to overheating.

**Ⓢ Do not operate with wet hands or in damp environment.**

- It may cause electric shock.

**Ⓢ Do not force airflow directly onto room occupants.**

- This may cause discomfort.

**Ⓢ Earth the product properly.**

- Insufficient earthing may cause electric shock.

**Ⓢ Keep water away from any electrical components.**

- It may cause a failure with the unit, or electric shock.

**Ⓢ Always install a circuit breaker and a dedicated power circuit.**

- Intermingled installation may cause fire or electric shock.

**Ⓢ Disconnect the power if strange sounds, smell, or smoke are present.**

- It may cause fire and/or electric shock.

**Ⓢ Do not drink condensate water from the unit.**

- It may contain contaminants and make you sick.

**Ⓢ Do not open the unit when in operation.**

- It may cause electric shock.

**Ⓢ Use the correctly rated circuit breaker or fuses.**

- There is risk of fire or electric shock.

**Ⓢ Do not place the power cord close to other heating appliances.**

- It may cause fire and electric shock.

**Ⓢ Do not disassemble or modify unit.**

- It may cause failure and electric shock.

**Ⓢ Ventilate room before operating air conditioner if there is a gas leak from another appliance.**

- It may cause explosion, fire or burns.

**Ⓢ Do not place the power cord near flammable gases or combustibles, such as petrol, thinner or cleaning fluids**

- It may cause explosion or fire.

## SAFETY PRECAUTIONS

### ⚠ CAUTION

ⓘ When the air filter is being removed, do not touch the metal parts of the unit.

- It may cause injury.

ⓘ When cleaning the unit, switch off, and isolate at the circuit breaker.

- Do not clean unit when power is on as it may cause fire, electric shock or injury.

ⓘ Turn unit off in electrical storms or severe weather.

- There is a risk of water ingress and electrical failure.

ⓘ Do not use strong detergents such as spirit or thinners. Use a soft cloth for cleaning.

- Product appearance and/or integrity may deteriorate due erosion and/or scratching of the product.

ⓘ Do not place heavy objects on the power cord. Take care not to damage or compress the cord.

- There is danger of fire or electric shock.

Do not spray or clean the unit with water.

- Water may enter the unit and cause a failure. It may also cause an electric shock.

ⓘ Do not put place any objects in the air discharge of the unit.

- It may cause damage to the rotating fan.

ⓘ Do not place unit where air flow is directed onto pets or plants.

- It may adversely affect the pet or plants.

ⓘ Do not place obstacles around air-inlets or inside of air-outlet.

- It may cause failure of appliance or injury.

ⓘ Ensure that any installation brackets are not damaged due to prolonged exposure to the elements.

- If the bracket is damaged, there may be a risk of the product falling.

ⓘ Use caution when unpacking and installing this product.

- Sharp edges may cause injury

ⓘ This appliance is not intended for use by persons (including children) with reduced physical, sensory or mental capabilities, or lack of experience and knowledge, unless they have been given supervision or instruction concerning use of the appliance by a person responsible for their safety. Children shall not be permitted to play with the system.

ⓘ Ventilate the room when used near gas appliances etc...

- An oxygen shortage may occur.

ⓘ Do not use for any other purposes other than intended purpose

- Do not use this unit to preserve precision devices, food, pets, plants, or art objects. It may cause deterioration.

ⓘ Turn off at the mains when not using for extended periods.

- It may cause failure of the product or fire.

ⓘ Always insert the filters securely. Clean filter regularly.

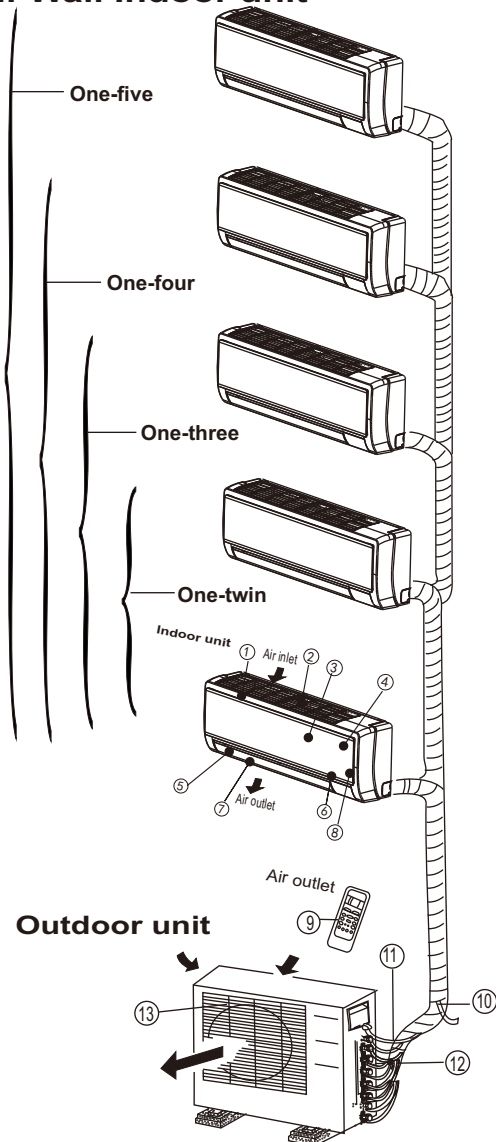
- Operation without filters or with blocked filters may cause failure.

ⓘ If water enters the unit, turn the unit off, disconnect the power and contact a qualified service technician for inspection.

ⓘ If the supply cord is damaged, it must be replaced by the manufacturer, its service agent or similarly qualified persons in order to avoid a hazard.

## Component names

### Hi-Wall Indoor unit



### Hi-Wall Indoor unit

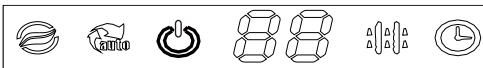
1. Panel frame
2. Return air intake grille
3. Front panel
4. Return air filter (behind)
5. Horizontal louver
6. LCD display window
7. Vertical louver
8. Manual control button (behind front panel)
9. Remote control

### Outdoor unit

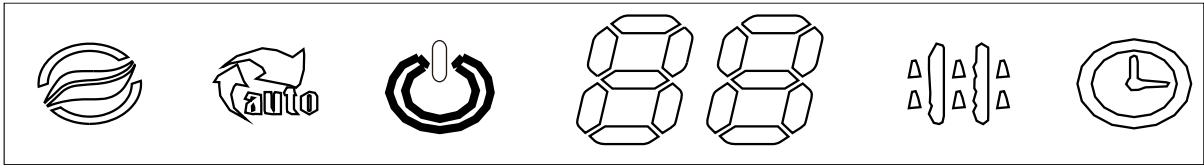
10. Condensate drain hose, refrigerant pipe
11. Interconnecting cable
12. Refrigerant valves
13. Condenser fan grille

### Display window

**NOTE:** The display window on the unit may differ slightly from model to model



## OPERATING INSTRUCTIONS



### **OPERATION display**

Displayed when the air conditioner is operating.



### **AUTO operation display**

Displayed during Auto operation.



### **DEFROST operation display**

Displayed when the system enters defrost mode (automatically) or when the warm air control feature is activated in heating operation.



### **TIMER display**

Displayed during Timer operation.



### **CLEAN AIR display (optional)**

Displayed when CLEAN AIR feature is activated.



### **TURBO operation display**

Displayed when TURBO mode is selected in cooling or heating modes.



### **DIGITAL DISPLAY**

Displays the current setting temperature when the air conditioner is operating.

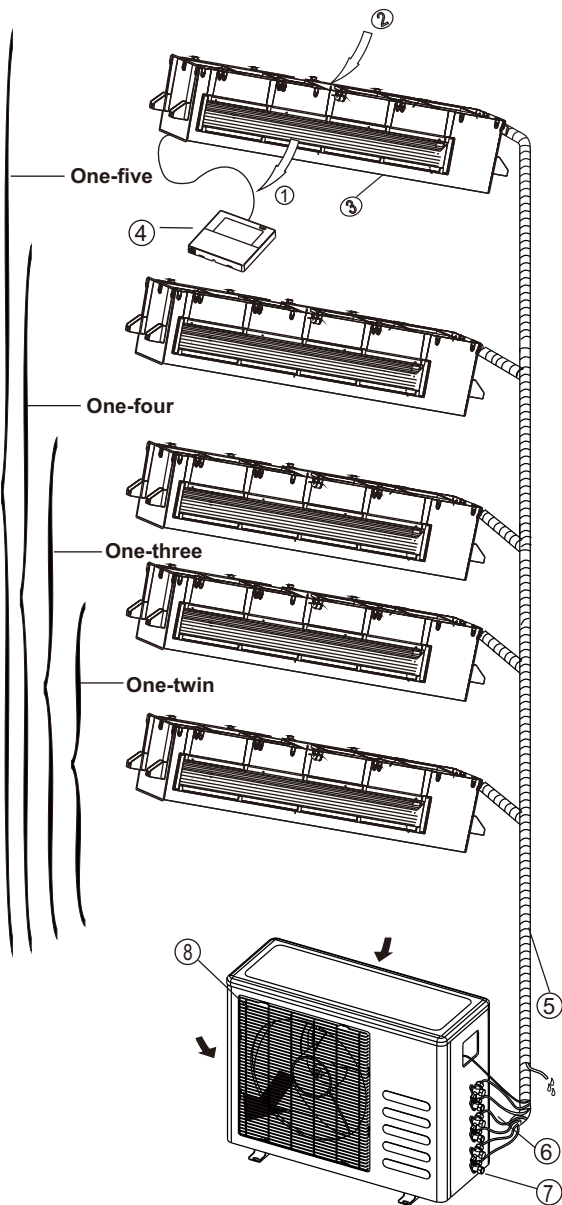


### **FAN SPEED display**

Displayed the selected fan speed: LOW(🌀), MED(🌀🌀) and HIGH(🌀🌀🌀). On remote control.

## Component names

### Ducted Indoor unit



### Ducted Indoor unit

1. Supply air outlet
  2. Return air inlet
  3. Air filter
  4. Wired remote control
- Refer to separate manual packed with unit

### Outdoor unit

5. Condensate drain hose, refrigerant pipe
6. Internconnecting cable
7. Refrigerant service valves
8. Condenser fan grille



## OPERATING INSTRUCTIONS

**NOTE:** This manual does not include Remote Control operating instructions, see the <<Remote Controller Instruction>> packed with the unit for details.

### Operating temperature

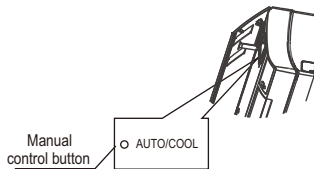
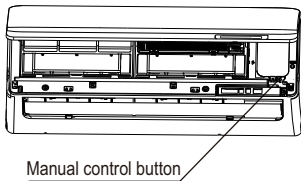
Mode \ Temperature	Cooling operation	Heating operation	Drying operation
Room temperature	17°C ~ 32°C	0°C ~ 30°C	17°C ~ 32°C
Outdoor temperature	-15°C ~ 50°C	-15°C ~ 24°C	0°C ~ 50°C

#### NOTE:

1. Optimum performance is achieved within these operating temperature limits. If the unit is used outside of the above limits/conditions, certain safety protection features may be brought into operation and cause the unit to not function as intended.
2. Room relative humidity must be less than 80%. If the unit operates in an environment in excess of this value, the surface of the unit may attract condensation. In this case, please set the vertical air flow louver to its maximum angle (vertically to the floor), and set the fan speed to HIGH.

### Manual operation

Manual operation can be used temporarily in case the remote control is disabled or unit requires service/maintenance.

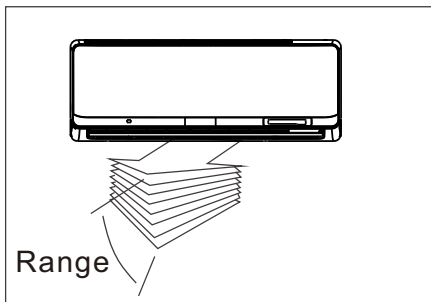


**NOTE:** The unit must be turned off before using the manual control button. If the unit is operational, hold down the manual control button until the unit is off.

- ① Open and lift the front panel up at an angle until it clicks and remains in place.
- ② One press of the manual control button will start forced AUTO operation. If the button is pressed twice within five seconds, the unit will operate under forced COOL operation.
- ③ Close the panel firmly to its original position.

**NOTE:** This button should be used for testing purposes only. Do not use for normal operation. To restore to remote control operation, use a functioning remote control.

## Airflow direction control

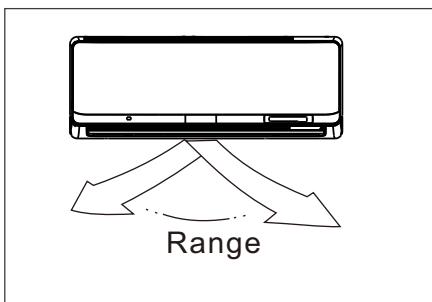
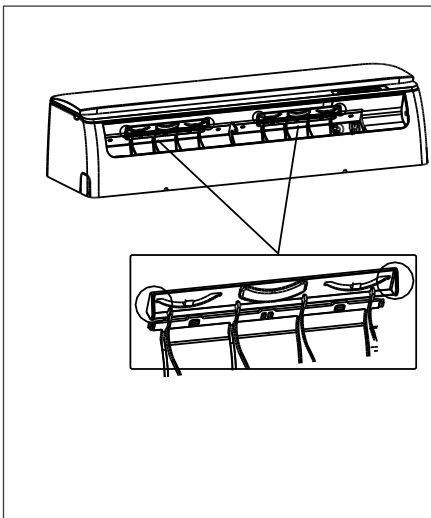


- Adjust the air flow direction as required, so as not to cause discomfort to the occupants or cause uneven room temperatures.
- Adjust the horizontal/vertical louver using the remote control.

### To set the horizontal/vertical air flow direction

- Perform this function while the unit is in operation.
- Use the remote control to adjust the air flow direction. The vertical/horizontal louver changes 6° in angle for each press of the button. The louver can also be set to swing automatically
- For some models, the vertical louver can only be adjusted manually. Move the adjustment rod manually to adjust the air flow in the direction you prefer.

**IMPORTANT:** Do not insert your fingers or other objects into the unit. The rotating supply air fan inside the unit may cause damage or injury.

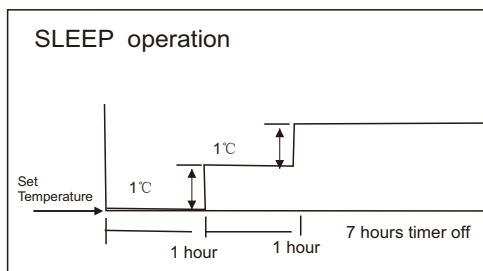


### ⚠ CAUTION

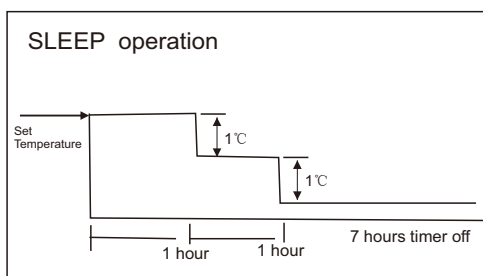
- Do not operate the unit for extended periods with the air flow direction set downward in cooling or dehumidifying mode. Condensation may form on the surface of the horizontal louver causing moisture to fall from the unit.
- Do not move the horizontal louver manually unless it is necessary. Always use the remote control.
- When the unit is started immediately after being turned off, the louvers may not respond for up to 10 seconds as they reset their position.
- The angle of the horizontal louver should not be set at an overly acute angle; this may reduce the performance as a result of the restricted air flow.
- Do not operate unit with horizontal louver in the closed position, the restricted air flow will cause a malfunction.
- When the unit is first connected to power, the horizontal louver will generate a sound as it resets its position. This operation is normal.

## OPERATING INSTRUCTIONS

### How the system works



#### Cooling



#### Heating

#### AUTO operation

- When you set the unit in AUTO mode, it will automatically select cooling, heating or fan only operation, depending on the set point temperature and the room temperature.
- The unit will maintain the room temperature automatically to the temperature you set
- If you feel uncomfortable in the AUTO mode, you may manually set your desired mode and temperature.

#### SLEEP operation

- When you push SLEEP button on remote control during cooling, heating or AUTO operation, the unit will automatically increase (Cooling) or decrease (Heating) the set point by 1°C for the first 2 hours.
- The set temperature will then be held steady for 2 hours, and the unit will turn off 7 hours later.
- The fan speed will be controlled automatically.
- This feature can maintain the most comfortable temperature and save on running costs.

#### DRYING operation

- The fan speed will be automatically controlled under drying operation.
- During drying operation, if the room temperature is lower than 10°C, the compressor is switched off, and then restarted when the room temperature rises above 12°C.

### Operation mode selection

While simultaneously operating two or more indoor units, ensure that the operational modes are not conflicting with each other. Heat mode claims precedence over all other modes. If the unit is initially started and is operating in heat mode, all other units can only operate in heat mode. Similarly, if the unit is initially started in cooling or fan only mode, the other indoor units can operate in any mode except heat. If one of the indoor units is switched to heat mode, all other operating indoor units will stop and display "P5" (for the units with a display window), or the Operation indicating light will flash rapidly. Depending on the indoor unit type, the Defrost indication light will turn off, the Timer indication light will remain on (for units without a display window), or the Defrost and Alarm indication light (as applicable) will turn on.

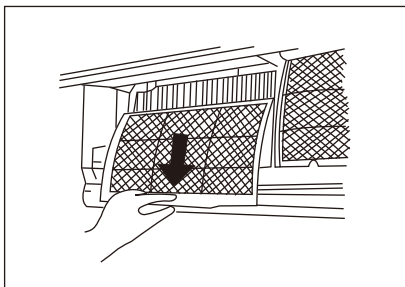
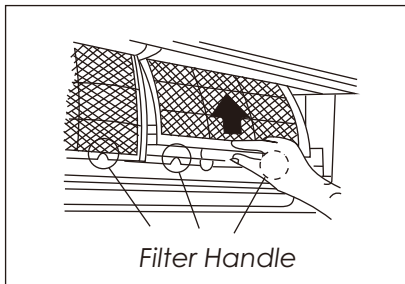
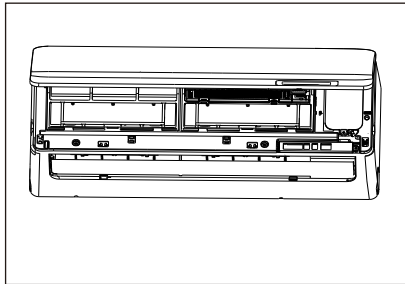
### Optimal operation

To achieve optimal performance, please note the following:

- Adjust the air flow direction correctly so that it is not directed onto people.
- Adjust the temperature to achieve the appropriate comfort level. Do not adjust the set point to excessive temperature levels.
- Close doors and windows in COOL and HEAT modes, or performance and efficiency will be reduced.
- Use the TIMER ON button on the remote control to select a time you want your air conditioner to start.
- Do not put any objects near the air inlet or outlets, as the performance and efficiency of the unit will be reduced, and the unit may stop running.
- Clean the air filter periodically, otherwise cooling and heating performance and efficiency will be reduced.
- Do not operate unit with horizontal louvre in closed position; the unit will malfunction and turn off.

## CARE AND MAINTENANCE

### Care and maintenance



#### **Caution**

- Do not touch the metal parts of the unit when removing the filter. Injuries can occur when handling sharp metal edges.
- Do not use water to clean inside the unit. Exposure to water can damage insulation, leading to possible electric shock.
- When cleaning the unit, make sure that the power and circuit breaker are turned off.

#### Cleaning the Grille, Case and Remote Control

- Turn the system off before cleaning. To clean, wipe with a soft, dry cloth. Do not use bleach or abrasives.

**NOTE:** Supply power must be disconnected before cleaning the indoor unit.

#### **CAUTION**

- A cloth dampened with cold water may be used on the indoor unit if it is very dirty. Then wipe with a dry cloth.
- Do not use a chemically treated cloth or duster to clean the unit.
- Do not use thinners, spirits, polishing powder, or similar solvents for cleaning. These may cause the plastic surface to crack or deform.
- Never use water hotter than 40°C to clean the front panel, it could cause deformation or discolouration.

### ■ HI-WALL INDOOR

#### Cleaning the air filter

A clogged air filter reduces the cooling performance and efficiency of the unit. Clean the filter once every 2 weeks.

1. Lift the indoor unit panel up to an angle until it stops with a clicking sound.
2. Grasp the air filter handle and lift it up slightly to release it from the filter holder, then pull the air filter downwards.

#### Maintenance

If you plan to turn the unit off for a long time, please perform the following process:

1. Turn the fan on for about 2 hours to dry the inside of the unit.
2. Turn the unit off and disconnect power. Remove the batteries from the remote control.
3. The outdoor unit requires periodic maintenance and cleaning. Do not attempt to do this yourself. Contact your dealer or Brivis.

#### Checks before operation

- Check all wiring for breakage, degradation or disconnection.
- Check that the air filter is installed.
- Check that the air outlet and inlets are not blocked after the unit has not been used for a long time.

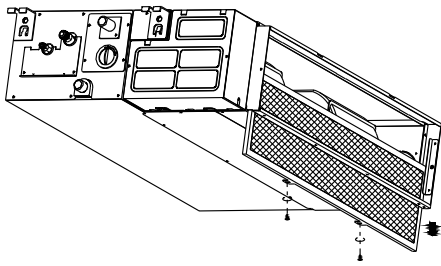


Fig.G1

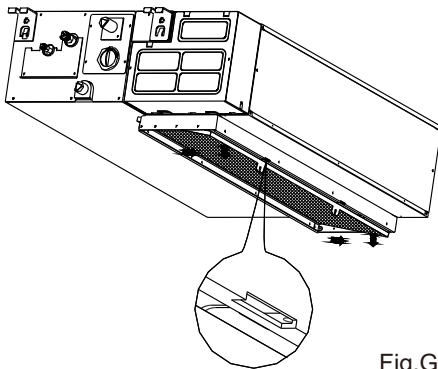


Fig.G2

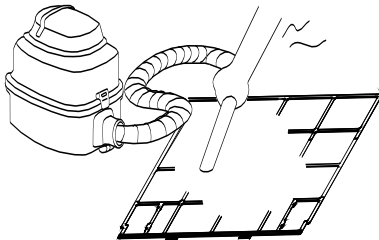


Fig.G3

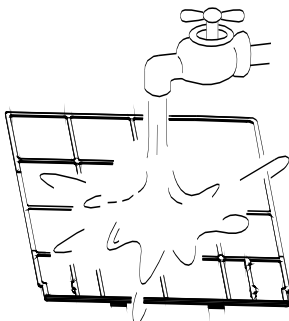


Fig.G4

### ■ DUCTED INDOOR UNIT

1. For a rear return air configured unit, please remove the screws (2 pieces) fixed on the filter and pull down the filter away from the unit. See Fig.G1.
2. For a bottom return air configured unit, please push the filter up slightly to remove it from the filter retainer. Remove the filter in the direction of the arrows as shown in Fig. G2
3. Clean the air filter. A vacuum cleaner or pure water may be used to clean the air filter. If the dust accumulation is too heavy, please use soft brush and mild detergent solution to clean the filter. Dry in a cool place.
4. The air on side should face up when using vacuum cleaner. See Fig.G3  
The air on side should face down when using water. See Fig. G4.

### Maintenance

**If turning the unit off for a long time, perform the following process.**

1. Clean the indoor unit and air filter.
2. Run in FAN only mode for 2 hours to dry inside the unit.
3. Disconnect the power supply and remove the batteries from the remote control.
4. Check the components of the outdoor unit periodically. Contact Brivis if the unit requires servicing.

**Note:** Before you clean the unit, be sure to switch the unit off and disconnect the power supply plug.

### **When the unit is to be turned on again:**

- Use a dry cloth to wipe off any dust accumulated on the return air grille. This will reduced the amount of dust ejected from the unit on started up.
- Check that the wiring is not broken or disconnected.
- Check that the air filter is installed.
- Check that the air outlet or inlet is not blocked.

#### **⚠ Caution**

- Do not touch the metal parts of the unit when removing the filter. Injuries can occur when handling sharp metal edges.
- Do not use water to clean inside the unit. Exposure to water can damage insulation, leading to possible electric shock.
- When cleaning the unit, make sure that the power and circuit breaker are turned off.

## **OPERATION TIPS**

---

### **Operation Tips**

During normal operation, the following events may occur:

#### **1. System protection.**

##### **Compressor protection**

- The compressor is not permitted to restart for 3 minutes after it has stopped.

##### **Anti-cold air**

- The unit is designed to not blow cold air when in HEAT mode. When the indoor unit is operating in one of the following three scenarios and the set point temperature has not been reached, the indoor fan will not function.
  - A) When heating mode has just been commenced.
  - B) When the unit is in defrost mode.
  - C) In low temperature heating mode.
- The indoor and/or outdoor fan stop running when defrosting.

##### **Defrosting**

- Frost may be generated on the outdoor unit during the heating cycle when outdoor temperature is low and humidity is high. This situation can lower heating performance and efficiency of the unit.
- During this condition unit will stop heating, and start to defrost automatically.
- The time to defrost may vary from 4 to 10 minutes depending on the outdoor temperature and the amount of frost build-up on the outdoor unit.

#### **2. A white mist coming out from the indoor unit**

- In COOL mode, a white mist may be generated by the unit when there is a large difference between the air inlet and outlet temperature with a high relative humidity room condition.
- A white mist may be generated due to moisture being created during the defrost process when the unit restarts in HEAT mode post defrost.

#### **3. Low noise of the air conditioner**

- You may hear a small, low hissing sound when the compressor is running or has just stopped running. This is the normal sound of the refrigerant flowing or coming to a stop in the refrigeration circuit.
- You may also hear some sounds when the compressor is running or has just stopped running. This can be caused by heat expansion and cold contraction of the component parts of the unit as the temperature changes.
- A sound may be heard due to the louvers reverting to their original position when power is first turned on.

**4. Dust is blown out from the indoor unit.**

This is a normal condition when the air conditioner has not been used for a long time or during first use of the unit.

**5. A peculiar smell is emitted from the indoor unit.**

This is caused by the indoor unit giving off smells permeated from building materials, from furniture, smoke or pets.

**6. The unit turns to FAN only mode from COOL or HEAT mode.**

When the indoor temperature reaches the temperature set point on the unit, the compressor will stop automatically, and the unit switches to FAN only mode. The compressor will restart when the indoor temperature rises in COOL mode or falls in HEAT mode to the predetermined set point.

7. Moisture may condense on the surface of the indoor unit when cooling in a high relative humidity environment. Adjust the horizontal louver to the maximum air outlet position (downwards) and change the fan speed to HIGH.

**8. Heating mode**

The unit draws in heat from the outdoor unit via the refrigeration cycle, and releases it via the indoor unit during heating mode. When the outdoor temperature falls, heat drawn in by the unit decreases accordingly. At the same time, the heat load on the unit increases due to larger difference between indoor and outdoor temperature. If a comfortable temperature cannot be achieved by the unit, it may be sized incorrectly, you may need to use a supplementary heating device or have the unit serviced.

**9. Auto-restart function**

Power failure during operation will immediately stop the unit.

For units without the Auto-restart feature, when power is restored, the OPERATION indicator on the indoor unit will flash. To restart the system, push the ON/OFF button on the remote control. For units with the Auto-restart feature, when the power is restored, the unit will restart automatically with all the previous settings as preserved by the memory function.

10. Lightning or localised telecommunications operating nearby may cause the unit to malfunction.

Disconnect the unit from the power supply, and then reconnect the unit with power again. Push the ON/OFF button on the remote control to restart operation.



## TROUBLESHOOTING GUIDE

**Please stop the system immediately if one of the following faults occurs. Disconnect the power and contact Brivis on 1300 BRIVIS (1300 274 847) for assistance.**

<b>Trouble</b>	If the E( 0,1.....) or P( 0, 1 ..... ) code appears on the LED (LCD) window, disconnect the power and contact Brivis as detailed above.
	Electrical fuse blows or circuit breaker trips frequently.
	Foreign objects or water penetrates the unit.
	The remote control won't work or works abnormally.
	Other abnormal situations.

<b>Issue</b>	<b>Cause</b>	<b>What should be done</b>
<b>Unit does not start</b>	Power supply outage	Wait for power supply to be restored.
	Unit may have been unplugged.	Check that the unit is plugged in securely to the power supply.
	Fuse may have blown.	Replace fuse as required.
	Battery in Remote control may be flat or low on power.	Replace batteries as required.
	The time you have set on the timer is incorrect.	Wait or cancel the timer setting and correct.
<b>Unit not cooling or heating sufficiently but air is flowing from the unit</b>	Incorrect/inappropriate temperature setting.	Set temperature correctly. For detailed information please refer to "Remote control instruction" section.
	Air filter is blocked.	Clean the air filter.
	Doors or windows are open.	Close the doors or windows.
	Air inlet or outlet of indoor or outdoor unit has been blocked.	Clear obstructions away first, then restart the unit.
	Compressor 3 minutes protection has been activated.	Wait for compression protection to finish.

If the issue has not been corrected by this guide, please contact Brivis on 1300 BRIVIS (1300 274 847) Be sure to note the detail of the issue, and have the unit model and serial number(s) available.

**Notes: Do not attempt to repair the unit yourself contact, Brivis for assistance.**



## NOTES

---



For all your Sales and Service enquiries call us on **1300 BRIVIS** (1300 274 847)

[www.brivis.com.au](http://www.brivis.com.au)

### **Brivis Australia**

61 Malcolm Rd  
Braeside Victoria 3195

Australia

**1300 BRIVIS** (1300 274 847)

Fax: +61 (03) 9264 9400

[www.brivis.com.au](http://www.brivis.com.au)

email: [sales@brivis.com.au](mailto:sales@brivis.com.au)

### **Brivis New Zealand**

Distributor: Warm Air Ltd  
69 Marsden Street  
Lower Hutt 5010 New Zealand  
PO Box 38523

Wellington Mail Centre

Wellington 5043 New Zealand

**0800 WARMAIR** (0800 9276 247)

Ph: +64 (04) 920 1670

Fax: +64(04) 920 1681

[www.warmair.co.nz](http://www.warmair.co.nz)

email: [sales@warmair.co.nz](mailto:sales@warmair.co.nz)

### **Brivis South Africa**

Distributor: Lorenz and Associates  
Northlands Deco Park  
Cnr Witkoppen and Newmarket Roads  
North Riding, Johannesburg South Africa 2194

**0861 BRIVIS** (0861 274 847)

Ph: +27 (011) 704 6112

Fax: +27 (011) 704 0022

[www.brivis.co.za](http://www.brivis.co.za)

email: [info@brivis.co.za](mailto:info@brivis.co.za)

© 2013 Brivis Climate Systems Pty. Ltd.

*All rights reserved. No part of these documents may be used in any way or form without prior written consent from Brivis Climate Systems Pty Ltd.*



Part Number: B061904  
May 2014  
Brivis Climate Systems Pty. Ltd.  
ABN 64 096 079 088  
AU24752

Specifications subject to change without notice. © 2013 Brivis Climate Systems Pty. Ltd.